



**L.T.F.**

# Low Voltage Magnetic Transformer

## MTA75W & MTE75W Series



<b>Efficiency</b>	80%
<b>Power Factor</b>	>0.98
<b>Case TC</b>	90° Max
<b>Protection</b>	Input / Output
<b>Storage</b>	-30°C / +90°C
<b>Humidity</b>	95% RH Max.
<b>IP Rating</b>	IP60, IP67
<b>Dimming</b>	Magnetic Low Voltage



**RoHS**



### FEATURES

- No load technology, works with halogen & AC LED loads
- Multi-Tap Output 12V-15V AC, 24V-30V AC
- High Quality Toroidal Transformer Core
- Dimmable with magnetic low voltage dimmers
- Isolated output power per NEC, UL safety requirements
- Indoor (-RE) models finished in black powder coat
- Outdoor (-REO) models feature stainless steel case
- Industry-leading 25 year limited OEM warranty

### ELECTRICAL SPECIFICATIONS

Model #	Wattage	Input	Output Current	Multi-Tap Output Voltage	Load	Case Type	
MTA75WA1215VRE	75W	120V AC, 0.63A 50/60Hz	25A	12V - 15V AC	12V - 15V AC LED & Halogen	Indoor (-RE) Powder Coat Black	
MTA75WA2430VRE			12.5A	24V - 30V AC	24V - 30V AC LED & Halogen		
MTA75WA1215VREO			25A	12V - 15V AC	12V - 15V AC LED & Halogen	Outdoor (-REO) Stainless Steel	
MTA75WA2430VREO			12.5A	24V - 30V AC	24V - 30V AC LED & Halogen		
MTE75WA1215VRE		277V AC, 0.27A 50/60Hz		25A	12V - 15V AC	12V - 15V AC LED & Halogen	Indoor (-RE) Powder Coat Black
MTE75WA2430VRE				12.5A	24V - 30V AC	24V - 30V AC LED & Halogen	
MTE75WA1215VREO				25A	12V - 15V AC	12V - 15V AC LED & Halogen	Outdoor (-REO) Stainless Steel
MTE75WA2430VREO				12.5A	24V - 30V AC	24V - 30V AC LED & Halogen	



**L.T.F.**

**Low Voltage Magnetic Transformer**

**MTA75W & MTE75W Series**

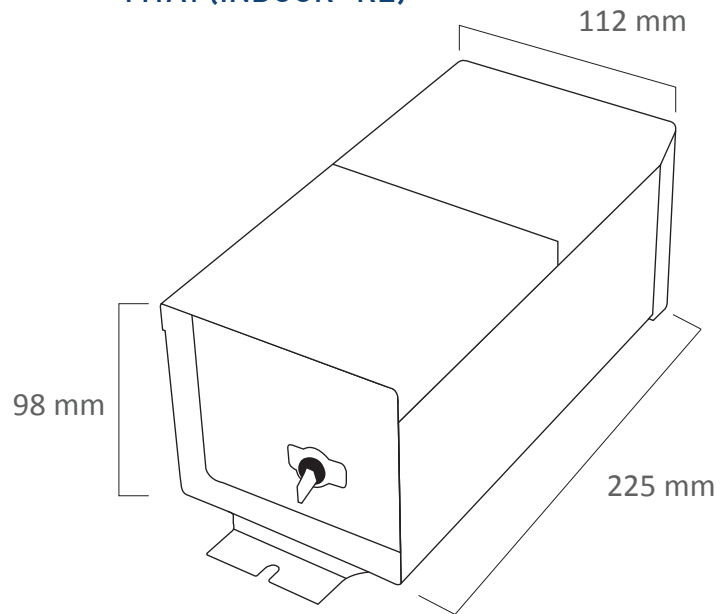


### MECHANICAL SPECIFICATIONS

Form Factor	Dimensions
MTA1 (Indoor -RE)	225 x 112 x 98mm
MTA2 (Outdoor -REO)	162 x 109 x 96mm

NOTE: Unit must be mounted  
at least 1 foot above ground level

**MTA1 (INDOOR -RE)**



**MTA2 (OUTDOOR -REO)**

