



L.T.F.

Low Voltage Magnetic Transformer

MTA300W & MTE300W Series



Efficiency	80%
Power Factor	>0.98
Case TC	90° Max
Protection	Input / Output
Storage	-30°C / +90°C
Humidity	95% RH Max.
IP Rating	IP60, IP67
Dimming	Magnetic Low Voltage



RoHS



FEATURES

- No load technology, works with halogen & AC LED loads
- Multi-Tap Output 12V-15V AC, 24V-30V AC
- High Quality Toroidal Transformer Core
- Dimmable with magnetic low voltage dimmers
- Isolated output power per NEC, UL safety requirements
- Indoor (-RE) models finished in black powder coat
- Outdoor (-REO) models feature stainless steel case
- Industry-leading 25 year limited OEM warranty

ELECTRICAL SPECIFICATIONS

Model #	Wattage	Input	Output Current	Multi-Tap Output Voltage	Load	Case Type
MTA300WA1215VRE	300W	120V AC, 2.5A 50/60Hz	25A	12V - 15V AC	12V - 15V AC LED & Halogen	Indoor (-RE) Powder Coat Black
MTA300WA2430VRE			12.5A	24V - 30V AC	24V - 30V AC LED & Halogen	
MTA300WA1215VREO			25A	12V - 15V AC	12V - 15V AC LED & Halogen	Outdoor (-REO) Stainless Steel
MTA300WA2430VREO			12.5A	24V - 30V AC	24V - 30V AC LED & Halogen	
MTE300WA1215VRE		277V AC, 1.08A 50/60Hz	Indoor (-RE) Powder Coat Black	25A	12V - 15V AC	12V - 15V AC LED & Halogen
MTE300WA2430VRE				12.5A	24V - 30V AC	24V - 30V AC LED & Halogen
MTE300WA1215VREO			Outdoor (-REO) Stainless Steel	25A	12V - 15V AC	12V - 15V AC LED & Halogen
MTE300WA2430VREO				12.5A	24V - 30V AC	24V - 30V AC LED & Halogen

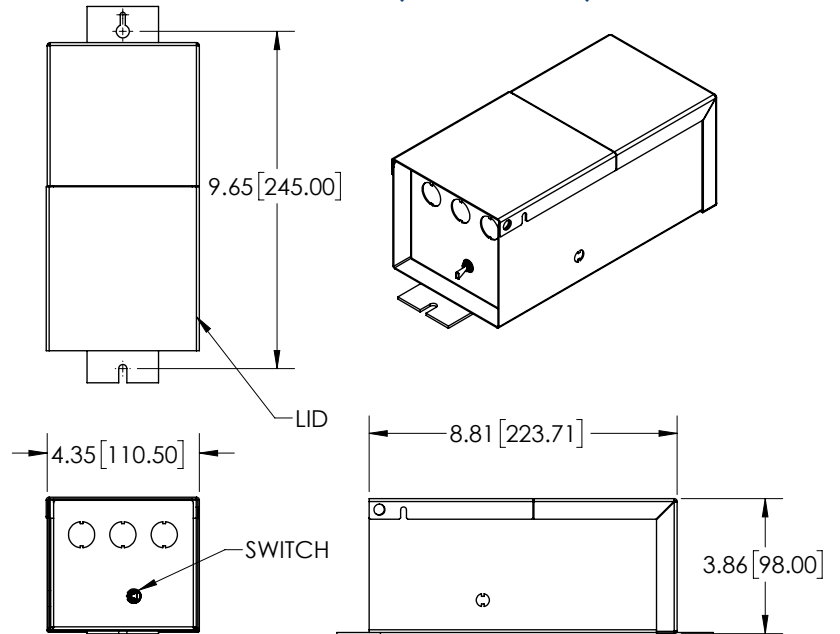


MECHANICAL SPECIFICATIONS

Form Factor	Dimensions
MTA3 (Indoor -RE)	245 x 110.5 x 98mm
MTA4 (Outdoor -REO)	308 x 155 x 136.5mm

NOTE: Unit must be mounted at least 1 foot above ground level

MTA3 (INDOOR -RE)



MTA4 (OUTDOOR -REO)

