



L.T.F.

Passive Infrared Occupancy Sensor Module

TA150W24VOCC



Custom
Model
Shown

ELECTRICAL SPECIFICATIONS

Detecting Mode	Movement
Detecting Theory	Passive Infrared Rays
Detecting Range	6 Meters
Detecting Angle	120°
Light Control Reaction	5LUX - 2000LUX (adjustable)
Working Voltage	24V DC
Power	<0.1W
Load Capability	150W, 6.25A max.
Load Type	LED Lighting
Ambient Temperature	-20°C - +50°C

Passive Infrared Occupancy Sensor Module is an infrared control product, with a unique and slim line form factor. Designed to detect and control low voltage lighting systems. Great addition to any low voltage light system for convenience, safety and energy saving.

When occupants enter the detecting area, the

switch will connect the load to make it work automatically. The light will stay on if people keep moving in the detecting area, the light will be time delayed off when people leave the detecting area. People come, light on; people leave, light off. Safe and energy saving.



FEATURES

- Detects changes in the infrared energy given off by occupants of a room as they move within the viewable field of the sensor.
- The sensor detects the heat given off by the human body as it moves in and out of the beams, and activates lights.
- The sensors are fine-tuned to detect small motions.
- **Automatically detecting:** Light will be on when people enter the detecting area the light will be time delayed off when people leave the detecting area.
- **Light control reaction adjustable:** You can set up day and night time detecting or night time detecting only.
- **Automatically time delayed (constantly time delayed mode):** When there is movement in the detecting area, the delayed time continues, when people leave the detecting area, the time delayed function will be closed.
- **Delayed time adjustable:** 3-500 seconds delayed time adjustable (Custom design is open).
- **Self detecting function:** The light will be on and off for three times when it is powered the first time, if the light does not be on and off for three times, the wire connection may be not correct.

* Ask for more details

L.T.F., L.L.C. PHONE: (847) 498-5832 FAX: (773) 337-5628 EMAIL: LTFsales@lfttechnology.com
Company's Address: 11966 Oak Creek Pkwy. Unit H Huntley IL 60142 U.S.A. www.lfttechnology.com

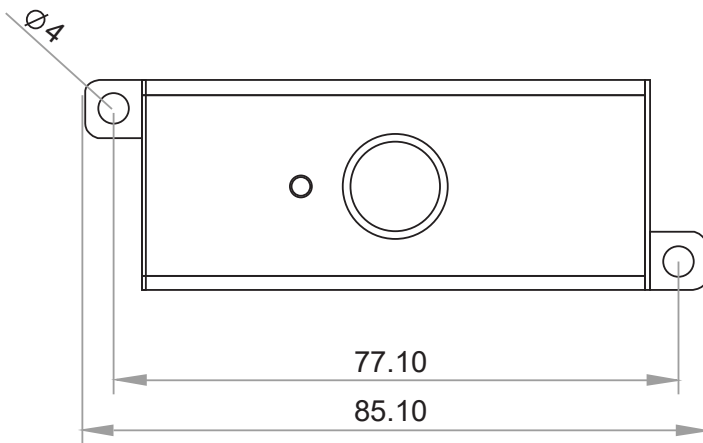
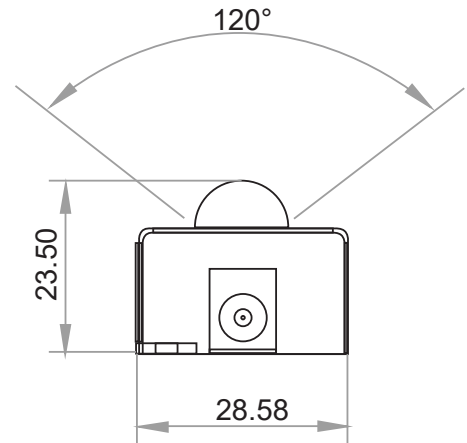
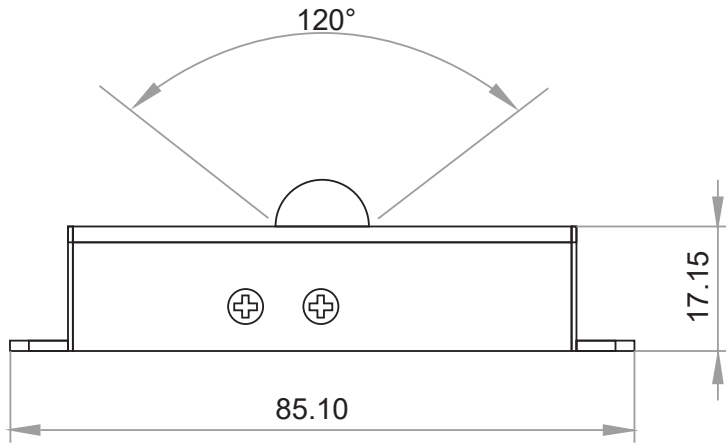
© L.T.F., L.L.C. All rights reserved. L.T.F. reserves the right to change specifications for product improvements without notification.



L.T.F.

Passive Infrared Occupancy Sensor Module

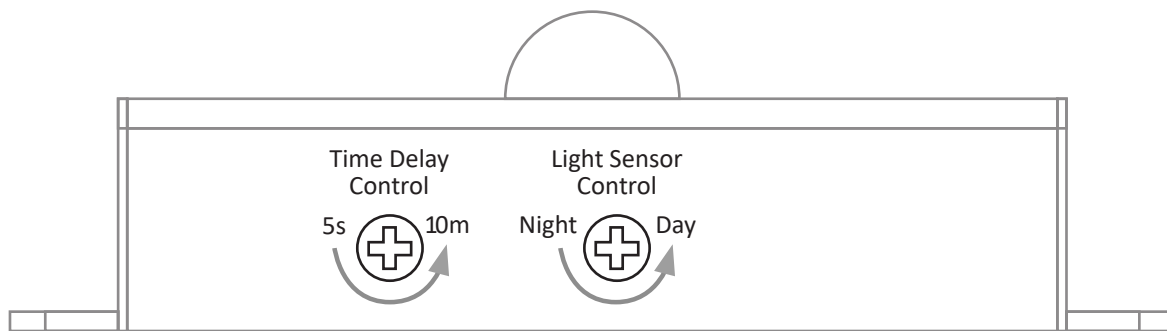
TA150W24VOCC



MECHANICAL SPECS

Available Form Factors	Dimensions
"OCC"	85.1 x 28.58 x 23.5mm

OCCUPANCY SENSOR CONTROLS



LTF® Passive Infrared Occupancy Sensor Module