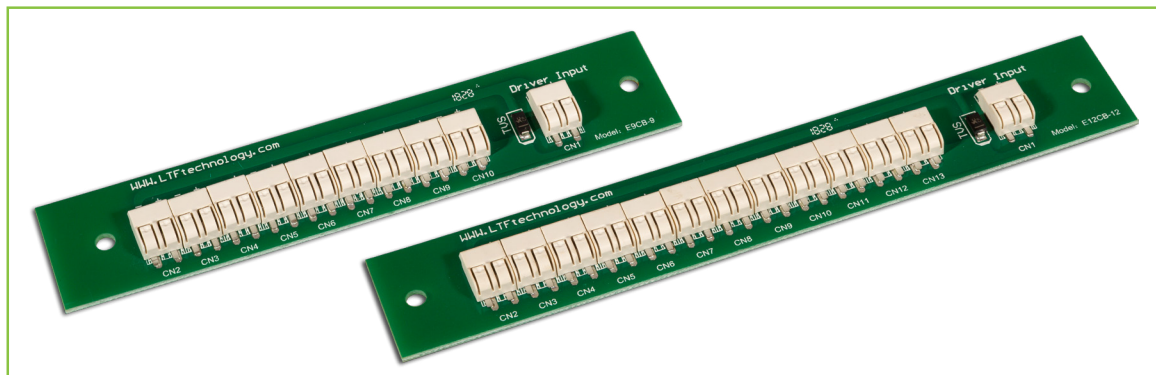




**L.T.F.**

## LED Lighting Accessories

### Quick Connect Terminal Block 9 and 12 Output Ports In Series



**RoHS**



### FEATURES

- Tabbed input and output connectors for simple, secure wire installation.
- Durable, heavy duty PCB, with pre drilled screw holes.

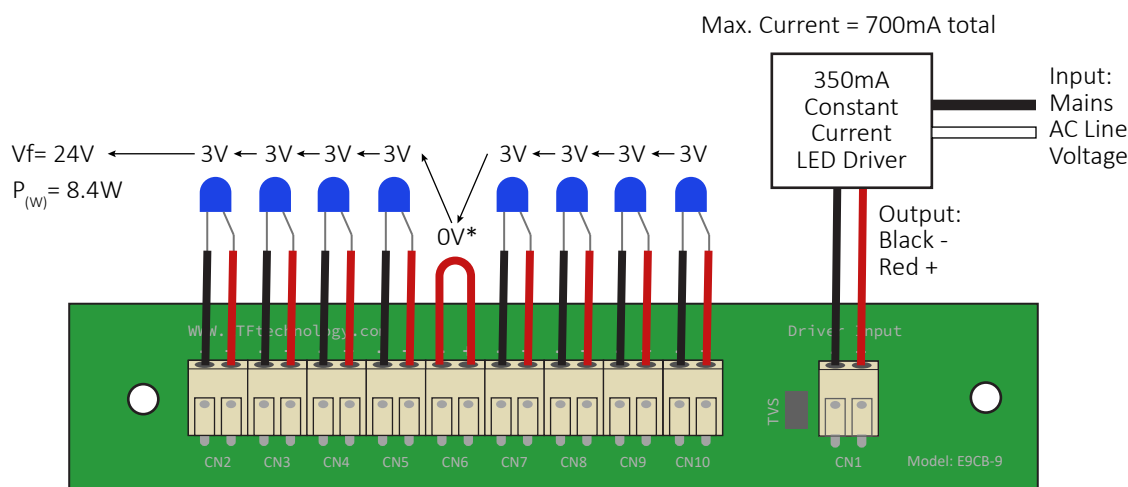
### APPLICATIONS

- The easy way to connect multiple LEDs in series to a single driver. No soldering required.

### ELECTRICAL SPECIFICATIONS

Model Number	Number of Outputs	Max. Voltage	Max. Current
E9CB-9	9	60V	700mA
E12CB-12	12		

### EXAMPLE WIRING DIAGRAM



\*Unused terminals should be shorted for series circuit continuity.



**Quick Connect Terminal Block  
9 and 12 Output Ports In Series**

**MECHANICAL SPECIFICATIONS**

Connector Board	Dimensions
9 Port Board	129mm x 25mm x 5.5mm
12 Port Board	152mm x 25mm x 5.5mm

