



L.T.F. Low Voltage Electronic Power Supply

40W 12V AC/DC

TA40WA12 and TU40WA12 Series &
TA40WD12 and TU40WD12 Series



Efficiency	higher than 85%
Power Factor	>98%
Case TC*	90C° Max
Protection	Input/ Output
Storage	-30°C/ +90C°
Humidity	95% RH max
IP Rating	IP 60
Standard Dimming	ELV Dimmable
Special Dimming	Dimming Loop (DL)
Special Dimming	0-10V Dimming (D10)
Class	Class 2



FEATURES

- No load technology, works with both Halogen & LED AC loads **
- Isolated output power per NEC and UL safety requirements
- UL recognized/listed Class 2 power supply, meet UL 2108 requirements
- Auto-reset; Short circuit, Overload and Thermal protection
- Soft start
- Dimmable
- Low profile, small compact design to fit in most enclosures

ELECTRICAL SPECIFICATIONS

120V					
Model #	Input Voltage	Input Current	Output Voltage	Weight	Load Type
TA40WA12	120V AC 50/60Hz	0.34 A	12V AC	160g	Incandescent & Halogen Bulbs
TA40WA12LED	120V AC 50/60Hz	0.34 A	12V AC	160g	AC LED Bulbs, Incandescent & Halogen Bulbs
TA40WD12LED	120V AC 50/60Hz	0.34 A	12V DC	160g	LED Strips, LED Bulbs, Incandescent & Halogen Bulbs
TA40WA12DL	120V AC 50/60Hz	0.34 A	12V AC	170g	Incandescent & Halogen Bulbs
TA40WA12LEDDL	120V AC 50/60Hz	0.34 A	12V AC	170g	AC LED Bulbs, Incandescent & Halogen Bulbs
TA40WD12LEDDL	120V AC 50/60Hz	0.34 A	12V DC	170g	LED Strips, LED Bulbs, Incandescent & Halogen Bulbs
TA40WA12LEDD10	120V AC 50/60Hz	0.34 A	12V AC	170g	AC LED Bulbs, Incandescent & Halogen Bulbs
TA40WD12LEDD10	120V AC 50/60Hz	0.34 A	12V DC	170g	LED Strips, LED Bulbs, Incandescent & Halogen Bulbs

120V Remote					
Model #	Input Voltage	Input Current	Output Voltage	Weight	Load Type
TA40WA12LEDRE	120V AC 50/60Hz	0.34 A	12V AC	481g	AC LED Bulbs, Incandescent & Halogen Bulbs
TA40WA12LEDREO	120V AC 50/60Hz	0.34 A	12V AC	622g	AC LED Bulbs, Incandescent & Halogen Bulbs

* Under confirmed thermal condition



120V Remote					
Model #	Input Voltage	Input Current	Output Voltage	Weight	Load Type
TA40WD12LEDRE	120V AC 50/60Hz	0.34 A	12V DC	481g	LED Strips, LED Bulbs, Incandescent & Halogen Bulbs
TA40WD12LEDREO	120V AC 50/60Hz	0.34 A	12V DC	622g	LED Strips, LED Bulbs, Incandescent & Halogen Bulbs
TA40WA12LEDD10RE	120V AC 50/60Hz	0.34 A	12V AC	492g	AC LED Bulbs, Incandescent & Halogen Bulbs
TA40WA12LEDD10REO	120V AC 50/60Hz	0.34 A	12V AC	632g	AC LED Bulbs, Incandescent & Halogen Bulbs
TA40WD12LEDD10RE	120V AC 50/60Hz	0.34 A	12V DC	492g	LED Strips, LED Bulbs, Incandescent & Halogen Bulbs
TA40WD12LEDD10REO	120V AC 50/60Hz	0.34 A	12V DC	632g	LED Strips, LED Bulbs, Incandescent & Halogen Bulbs

277V					
Model #	Input Voltage	Input Current	Output Voltage	Weight	Load Type
TE40WA12	277V AC 50/60Hz	0.14 A	12V AC	160g	Incandescent & Halogen Bulbs
TE40WA12LED	277V AC 50/60Hz	0.14 A	12V AC	160g	AC LED Bulbs, Incandescent & Halogen Bulbs
TE40WD12LED	277V AC 50/60Hz	0.14 A	12V DC	160g	LED Strips, LED Bulbs, Incandescent & Halogen Bulbs
TE40WA12DL	277V AC 50/60Hz	0.14 A	12V AC	170g	Incandescent & Halogen Bulbs
TE40WA12LEDDL	277V AC 50/60Hz	0.14 A	12V AC	170g	AC LED Bulbs, Incandescent & Halogen Bulbs
TE40WD12LEDDL	277V AC 50/60Hz	0.14 A	12V DC	170g	LED Strips, LED Bulbs, Incandescent & Halogen Bulbs
TE40WA12LEDD10	277V AC 50/60Hz	0.14 A	12V AC	170g	AC LED Bulbs, Incandescent & Halogen Bulbs
TE40WD12LEDD10	277V AC 50/60Hz	0.14 A	12V DC	170g	LED Strips, LED Bulbs, Incandescent & Halogen Bulbs

277V Remote					
Model #	Input Voltage	Input Current	Output Voltage	Weight	Load Type
TE40WA12LEDRE	277V AC 50/60Hz	0.14 A	12V DC	481g	AC LED Bulbs, Incandescent & Halogen Bulbs
TE40WA12LEDREO	277V AC 50/60Hz	0.14 A	12V DC	622g	AC LED Bulbs, Incandescent & Halogen Bulbs
TE40WD12LEDRE	277V AC 50/60Hz	0.14 A	12V AC	481g	LED Strips, LED Bulbs, Incandescent & Halogen Bulbs
TE40WD12LEDREO	277V AC 50/60Hz	0.14 A	12V AC	622g	LED Strips, LED Bulbs, Incandescent & Halogen Bulbs
TE40WA12LEDD10RE	277V AC 50/60Hz	0.14 A	12V DC	492g	AC LED Bulbs, Incandescent & Halogen Bulbs
TE40WA12LEDD10REO	277V AC 50/60Hz	0.14 A	12V DC	632g	AC LED Bulbs, Incandescent & Halogen Bulbs
TE40WD12LEDD10RE	277V AC 50/60Hz	0.14 A	12V DC	492g	LED Strips, LED Bulbs, Incandescent & Halogen Bulbs
TE40WD12LEDD10REO	277V AC 50/60Hz	0.14 A	12V DC	632g	LED Strips, LED Bulbs, Incandescent & Halogen Bulbs

220-240V					
Model #	Input Voltage	Input Current	Output Voltage	Weight	Load Type
TU40WA12	220-240V AC 50/60Hz	0.18 A	12V AC	160g	Incandescent & Halogen Bulbs
TU40WA12LED	220-240V AC 50/60Hz	0.18 A	12V AC	160g	AC LED Bulbs, Incandescent & Halogen Bulbs
TU40WD12LED	220-240V AC 50/60Hz	0.18 A	12V DC	160g	LED Strips, LED Bulbs, Incandescent & Halogen Bulbs
TU40WA12DL	220-240V AC 50/60Hz	0.18 A	12V AC	170g	Incandescent & Halogen Bulbs



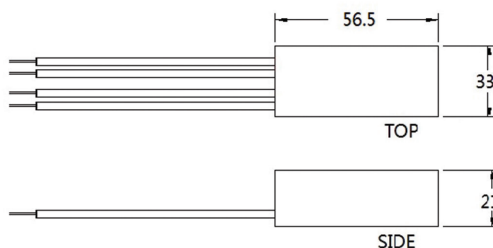
220-240V					
Model #	Input Voltage	Input Current	Output Voltage	Weight	Load Type
TU40WA12	220-240V AC 50/60Hz	0.18 A	12V AC	160g	Incandescent & Halogen Bulbs
TU40WA12LED	220-240V AC 50/60Hz	0.18 A	12V AC	160g	AC LED Bulbs, Incandescent & Halogen Bulbs
TU40WD12LED	220-240V AC 50/60Hz	0.18 A	12V DC	160g	LED Strips, LED Bulbs, Incandescent & Halogen Bulbs
TU40WA12DL	220-240V AC 50/60Hz	0.18 A	12V AC	170g	Incandescent & Halogen Bulbs

220-240V Remote					
Model #	Input Voltage	Input Current	Output Voltage	Weight	Load Type
TU40WA12LEDRE	220-240V AC 50/60Hz	0.18 A	12V AC	481g	AC LED Bulbs, Incandescent & Halogen Bulbs
TU40WA12LEDREO	220-240V AC 50/60Hz	0.18 A	12V AC	622g	AC LED Bulbs, Incandescent & Halogen Bulbs
TU40WD12LEDRE	220-240V AC 50/60Hz	0.18 A	12V DC	481g	LED Strips, LED Bulbs, Incandescent & Halogen Bulbs
TU40WD12LEDREO	220-240V AC 50/60Hz	0.18 A	12V DC	622g	LED Strips, LED Bulbs, Incandescent & Halogen Bulbs
TU40WA12LEDD10RE	220-240V AC 50/60Hz	0.18 A	12V AC	492g	AC LED Bulbs, Incandescent & Halogen Bulbs
TU40WA12LEDD10REO	220-240V AC 50/60Hz	0.18 A	12V AC	632g	AC LED Bulbs, Incandescent & Halogen Bulbs
TU40WD12LEDD10RE	220-240V AC 50/60Hz	0.18 A	12V DC	492g	LED Strips, LED Bulbs, Incandescent & Halogen Bulbs
TU40WD12LEDD10REO	220-240V AC 50/60Hz	0.18 A	12V DC	632g	LED Strips, LED Bulbs, Incandescent & Halogen Bulbs

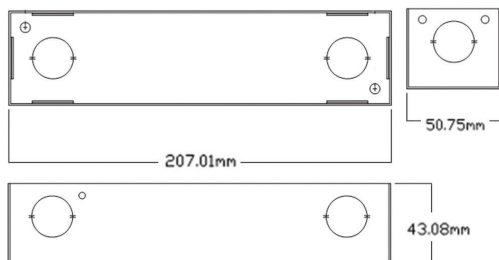
MECHANICAL SPECS. AC MODELS

Available Form Factors	Dimensions
Standard "B2"	56.5X33X21mm
"G1"	207X50.8X43.1mm
"G4"	238X66X48mm

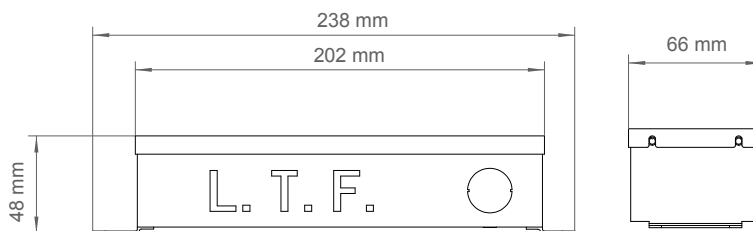
B2 - STANDARD



G1 - REMOTE(RE) MODELS ONLY



G4 - REMOTE (REO) MODELS ONLY

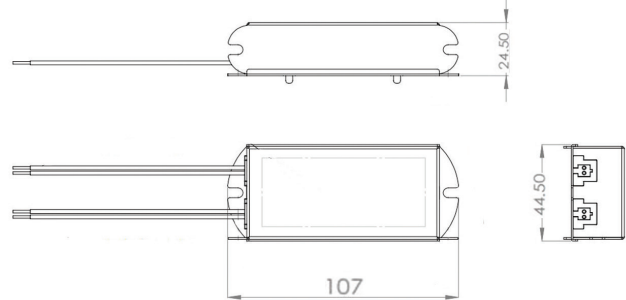




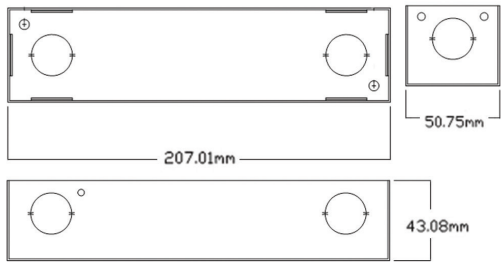
MECHANICAL SPECS. DC MODELS

Available Form Factors	Dimensions
Standard "E"	107X44.5X24.5mm
"G1"	207X50.8X43.1mm
"G4"	238X66X48mm

E - STANDARD



G1 - REMOTE(RE) MODELS ONLY



G4 - REMOTE (REO) MODELS ONLY

