

TA TE TU 96W 12V AC & DC Series Electric Transformers



Efficiency	>85%
Power Factor	> 0.98
Case TC	90°C Max.
Protection	Input / Output
Storage	-30°C / +90°C
Humidity	95% RH Max.
IP Rating	IP60
Class	Class 2 Power Supply
Dimming	ELV, Optional 0-10V



- No load technology, works with both halogen & LED, AC or DC loads
- Dimmable with ELV loads
- Isolated output power per NEC and UL safety requirements
- UL recognized/listed Class 2 power supply, meets UL 2108 requirements
- Auto-reset; short circuit, overload and thermal protection

FEATURES

- Soft start
- Low profile, small compact design to fit in most enclosures
- Available with optional UL listed indoor and outdoor remote enclosures

MODEL SPECIFICATIONS

TA Series 120V						
Model #	Input Voltage	Watts	Input Current	Output Voltage	Weight	Load Type
TA96WA12LED	120V AC 50/60Hz	96W	0.8A	12V AC	240g	AC LED Bulbs, Incandescent & Halogen bulbs
TA96WD12LED			0.8A	12V DC	240g	LED Strips, LED Bulbs, Incandescent & Halogen bulbs

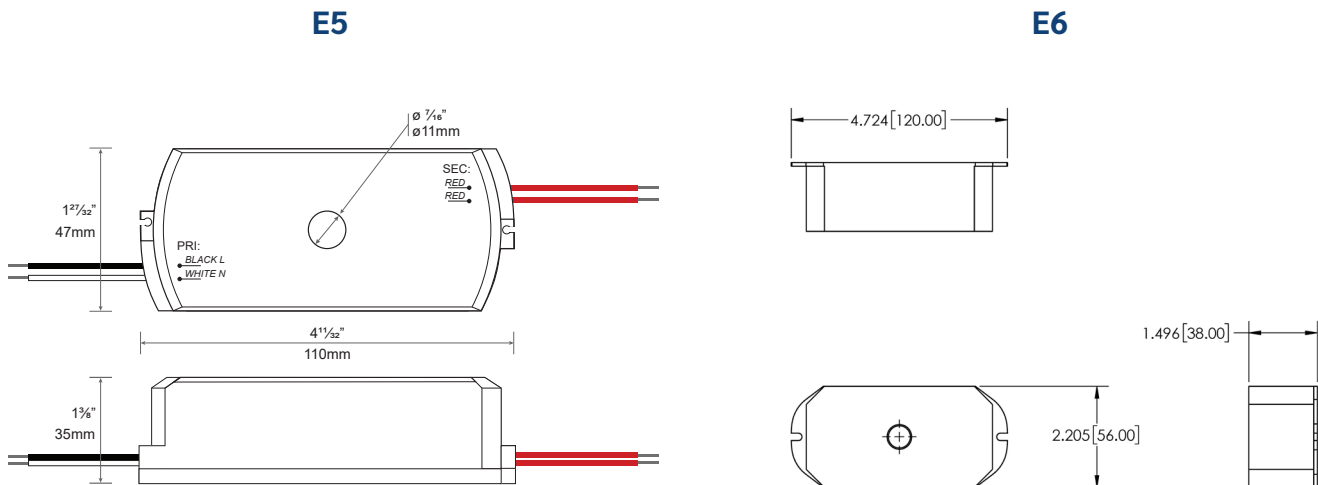
TA Series 120V Remote						
Model #	Input Voltage	Watts	Input Current	Output Voltage	Weight	Load Type
TA96WD12LEDRE	120V AC 50/60Hz	96W	0.8A	12V DC	713g	LED Strips, LED Bulbs, Incandescent & Halogen bulbs
TA96WD12LEDREO			0.8A	12V DC	1037g	LED Strips, LED Bulbs, Incandescent & Halogen bulbs

TU Series 220-240V						
Model #	Input Voltage	Watts	Input Current	Output Voltage	Weight	Load Type
TU96WA12LED	220-240V AC 50/60Hz	96W	0.43A	12V DC	240g	AC LED Bulbs, Incandescent & Halogen bulbs
TU96WD12LED			0.43A	12V DC	240g	LED Strips, LED Bulbs, Incandescent & Halogen bulbs

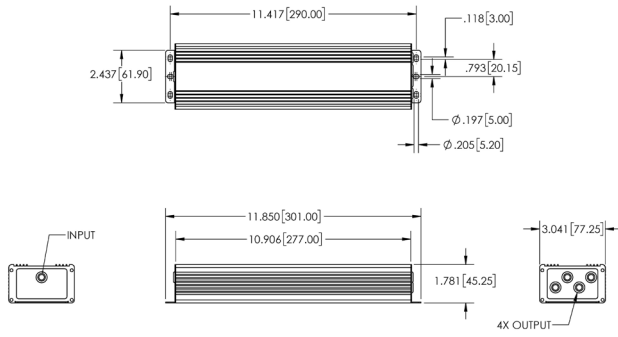
TU Series 220-240V Remote						
Model #	Input Voltage	Watts	Input Current	Output Voltage	Weight	Load Type
TU96WD12LEDRE	220-240V AC 50/60Hz	96W	0.43A	12V DC	713g	LED Strips, LED Bulbs, Incandescent & Halogen bulbs
TU96WD12LEDREO			0.43A	12V DC	1037g	LED Strips, LED Bulbs, Incandescent & Halogen bulbs

MECHANICAL SPECS

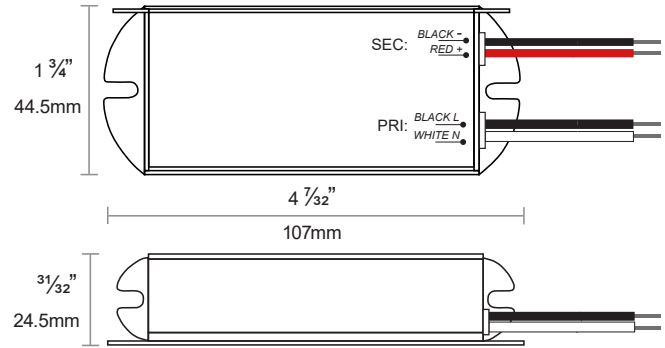
FORM FACTOR	DIMENSIONS
Standard AC "E5"	110 x 47 x 35mm
Standard DC "E6"	120 x 56 x 38mm
B5	77 x 32 x 21mm
E	120 x 56.5 x 32.5mm
G2	233.1 x 85.5 x 48.9mm
G3	280 x 103 x 56mm



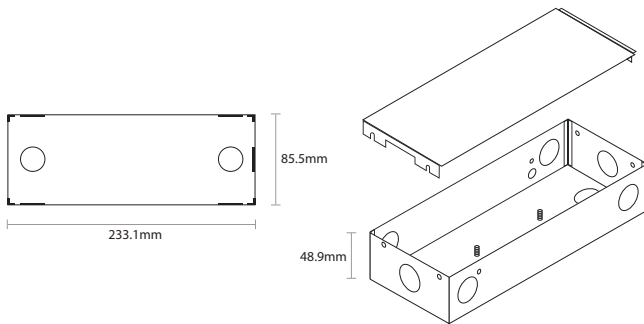
B5



E



G2



G3

