



L.T.F.

No-Load Electronic Transformers

TA, TE, TU 60W 24V AC & DC Series



Efficiency	> 85%
Power Factor	> 98%
Case TC	90°C Max
Protection	Input / Output
Storage	-30°C / +90°C
Humidity	95% RH max
IP Rating	IP 65
Dimming	ELV Dimmable
Class	Class 2



RoHS



FCC Part 15
Class B Compliant



WARRANTY
*Ask for more information

FEATURES

- No load technology, works with both halogen & LED, AC or DC loads
- Dimmable with ELV type dimmers
- FCC Class 15 Part B compliant
- Isolated output power per NEC and UL safety requirements
- UL recognized/listed Class 2 power supply, meets UL 2108 requirements
- Auto-reset; short circuit, overload and thermal protection
- Soft start
- Low profile, small compact design to fit in most enclosures
- Available with optional UL listed indoor and outdoor remote enclosures

ELECTRICAL SPECIFICATIONS

TA Series 120V

Model #	Input Voltage	Input Current	Output Voltage	Weight	Load Type
TA60WA24LED65B15	120V AC 50/60Hz	0.5 A	24V AC	137.5g	AC LED Bulbs, Incandescent & Halogen Bulbs
TA60WD24LED65B15	120V AC 50/60Hz	0.5 A	24V AC	137.5g	LED Strips, LED Bulbs, Incandescent & Halogen Bulbs
TA60WA24LED65D010	120V AC 50/60Hz	0.5 A	24V AC	137.5g	AC LED Bulbs, Incandescent & Halogen Bulbs
TA60WD24LED65D010	120V AC 50/60Hz	0.5 A	24V AC	137.5g	LED Strips, LED Bulbs, Incandescent & Halogen Bulbs

TA Series 120V Remote

Model #	Input Voltage	Input Current	Output Voltage	Weight	Load Type
TA60WA24LED65B15RE	120V AC 50/60Hz	0.5 A	24V AC	459g	AC LED Bulbs, Incandescent & Halogen Bulbs
TA60WA24LED65B15REO	120V AC 50/60Hz	0.5 A	24V AC	600g	AC LED Bulbs, Incandescent & Halogen Bulbs
TA60WD24LED65B15RE	120V AC 50/60Hz	0.5 A	24V AC	459g	LED Strips, LED Bulbs, Incandescent & Halogen Bulbs
TA60WD24LED65B15REO	120V AC 50/60Hz	0.5 A	24V AC	600g	LED Strips, LED Bulbs, Incandescent & Halogen Bulbs
TA60WA24LED65D010RE	120V AC 50/60Hz	0.5 A	24V AC	459g	AC LED Bulbs, Incandescent & Halogen Bulbs
TA60WA24LED65D010REO	120V AC 50/60Hz	0.5 A	24V AC	600g	AC LED Bulbs, Incandescent & Halogen Bulbs

L.T.F., L.L.C. PHONE: (847) 498-5832 FAX: (773) 337-5628 EMAIL: sales@lfttechnology.com

Company's Address: 11966 Oak Creek Pkwy. Unit H, Huntley IL 60142 U.S.A. www.lfttechnology.com

© L.T.F., L.L.C. All rights reserved. L.T.F. reserves the right to change specification for product improvements without notification

**L.T.F.**

No-Load Electronic Transformers

TA, TE, TU 60W 24V AC & DC Series

TA Series 120V Remote

Model #	Input Voltage	Input Current	Output Voltage	Weight	Load Type
TA60WD24LED65D010RE	120V AC 50/60Hz	0.5 A	24V AC	459g	LED Strips, LED Bulbs, Incandescent & Halogen Bulbs
TA60WD24LED65D010REO	120V AC 50/60Hz	0.5 A	24V AC	600g	LED Strips, LED Bulbs, Incandescent & Halogen Bulbs

TE Series 277V

Model #	Input Voltage	Input Current	Output Voltage	Weight	Load Type
TE60WA24LED65B15	277V AC 50/60Hz	0.2 A	24V AC	137.5g	AC LED Bulbs, Incandescent & Halogen Bulbs
TE60WD24LED65B15	277V AC 50/60Hz	0.2 A	24V AC	137.5g	LED Strips, LED Bulbs, Incandescent & Halogen Bulbs
TE60WA24LED65D010	277V AC 50/60Hz	0.2 A	24V AC	137.5g	AC LED Bulbs, Incandescent & Halogen Bulbs
TE60WD24LED65D010	277V AC 50/60Hz	0.2 A	24V AC	137.5g	LED Strips, LED Bulbs, Incandescent & Halogen Bulbs

TE Series 277V Remote

Model #	Input Voltage	Input Current	Output Voltage	Weight	Load Type
TE60WA24LED65B15RE	277V AC 50/60Hz	0.2 A	24V AC	459g	AC LED Bulbs, Incandescent & Halogen Bulbs
TE60WA24LED65B15REO	277V AC 50/60Hz	0.2 A	24V AC	600g	AC LED Bulbs, Incandescent & Halogen Bulbs
TE60WD24LED65B15RE	277V AC 50/60Hz	0.2 A	24V AC	459g	LED Strips, LED Bulbs, Incandescent & Halogen Bulbs
TE60WD24LED65B15REO	277V AC 50/60Hz	0.2 A	24V AC	600g	LED Strips, LED Bulbs, Incandescent & Halogen Bulbs
TE60WA24LED65D010RE	277V AC 50/60Hz	0.2 A	24V AC	459g	AC LED Bulbs, Incandescent & Halogen Bulbs
TE60WA24LED65D010REO	277V AC 50/60Hz	0.2 A	24V AC	600g	AC LED Bulbs, Incandescent & Halogen Bulbs
TE60WD24LED65D010RE	277V AC 50/60Hz	0.2 A	24V AC	459g	LED Strips, LED Bulbs, Incandescent & Halogen Bulbs
TE60WD24LED65D010REO	277V AC 50/60Hz	0.2 A	24V AC	600g	LED Strips, LED Bulbs, Incandescent & Halogen Bulbs

TU Series 220-240V

Model #	Input Voltage	Input Current	Output Voltage	Weight	Load Type
TU60WA24LED65B15	220-240V AC 50/60Hz	0.27 A	24V AC	137.5g	AC LED Bulbs, Incandescent & Halogen Bulbs

TU Series 220-240V Remote

Model #	Input Voltage	Input Current	Output Voltage	Weight	Load Type
TU60WA24LED65B15RE	220-240V AC 50/60Hz	0.27 A	24V AC	459g	AC LED Bulbs, Incandescent & Halogen Bulbs
TU60WA24LED65B15REO	220-240V AC 50/60Hz	0.27 A	24V AC	600g	AC LED Bulbs, Incandescent & Halogen Bulbs



L.T.F.

No-Load Electronic Transformers

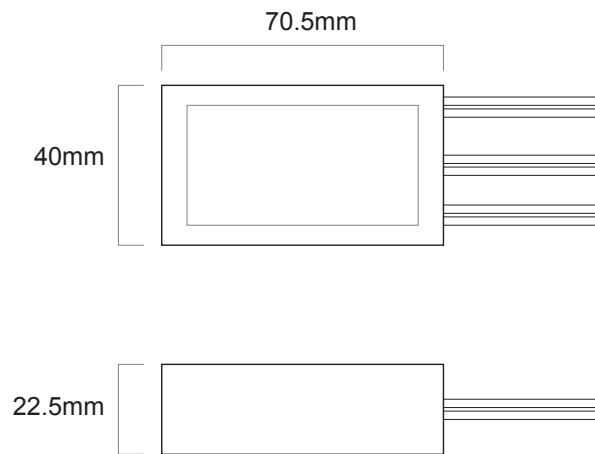
TA, TE, TU 60W 24V AC & DC Series



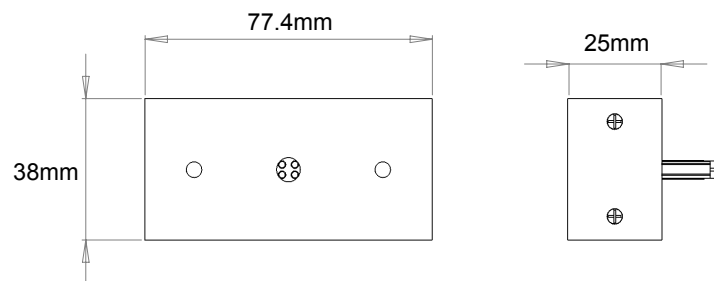
MECHANICAL SPECIFICATIONS

Available Form Factors	Dimensions
"B7"	70.5x40x22.5mm
"C"	77.4x25x38mm
"G1"	207X50.8X43.1mm
"G4"	238X66X48mm

B7



C





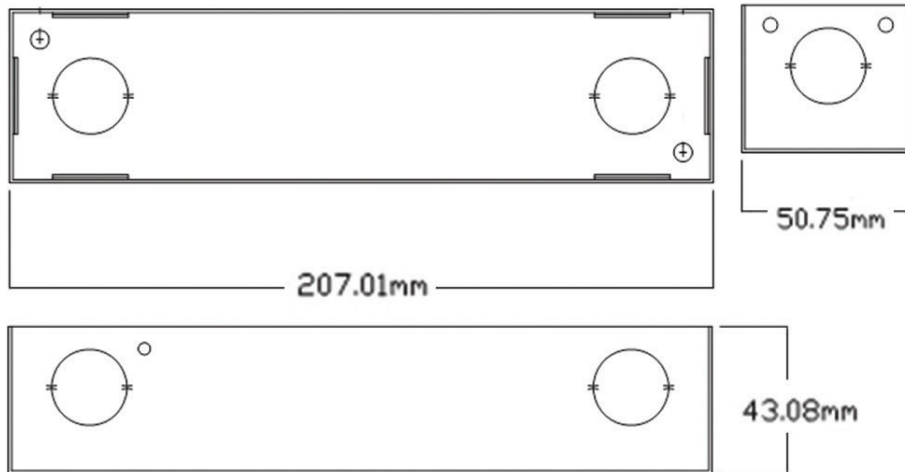
L.T.F.

No-Load Electronic Transformers

TA, TE, TU 60W 24V AC & DC Series



G1 - REMOTE (RE) INDOOR ENCLOSURE - UL LISTED



G4 - REMOTE (REO) OUTDOOR ENCLOSURE - UL LISTED

