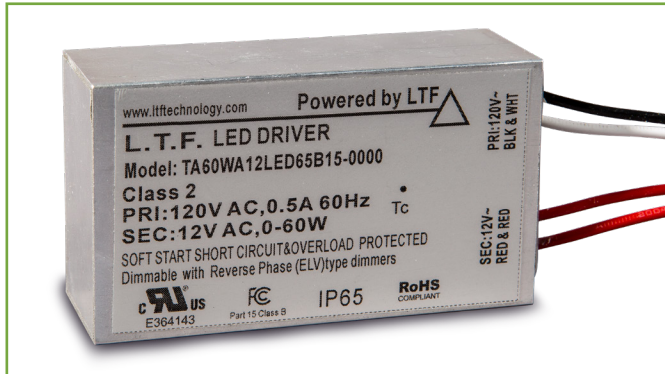




L.T.F.

No-Load Electronic Transformers

TA, TE, TU 60W 12V AC & DC Series



| | |
|--------------|----------------|
| Efficiency | > 85% |
| Power Factor | > 98% |
| Case TC | 90C° Max |
| Protection | Input / Output |
| Storage | -30°C / +90C° |
| Humidity | 95% RH max |
| IP Rating | IP 65 |
| Dimming | ELV Dimmable |
| Class | Class 2 |



RoHS



FCC Part 15
Class B Compliant



*Ask for more information

FEATURES

- No load technology, works with both halogen & LED, AC or DC loads
- Dimmable with ELV type dimmers
- FCC Class 15 Part B compliant
- Isolated output power per NEC and UL safety requirements
- UL recognized/listed Class 2 power supply, meets UL 2108 requirements
- Auto-reset; short circuit, overload and thermal protection
- Soft start
- Low profile, small compact design to fit in most enclosures
- Available with optional UL listed indoor and outdoor remote enclosures

ELECTRICAL SPECIFICATIONS

TA Series 120V

| Model # | Input Voltage | Input Current | Output Voltage | Weight | Load Type |
|----------------------|-----------------|---------------|----------------|--------|---|
| TA60WA12LED65B15 | 120V AC 50/60Hz | 0.5 A | 12V AC | 137.5g | AC LED Bulbs, Incandescent & Halogen Bulbs |
| TA60WD12LED65B15 | 120V AC 50/60Hz | 0.5 A | 12V DC | 137.5g | LED Strips, LED Bulbs, Incandescent & Halogen Bulbs |
| TA60WA12LED65B15D010 | 120V AC 50/60Hz | 0.5 A | 12V AC | 137.5g | AC LED Bulbs, Incandescent & Halogen Bulbs |
| TA60WD12LED65B15D010 | 120V AC 50/60Hz | 0.5 A | 12V DC | 137.5g | LED Strips, LED Bulbs, Incandescent & Halogen Bulbs |

TA Series 120V Remote

| Model # | Input Voltage | Input Current | Output Voltage | Weight | Load Type |
|------------------------|-----------------|---------------|----------------|--------|---|
| TA60WA12LED65B15RE | 120V AC 50/60Hz | 0.5 A | 12V AC | 459g | AC LED Bulbs, Incandescent & Halogen Bulbs |
| TA60WA12LED65B15REO | 120V AC 50/60Hz | 0.5 A | 12V AC | 600g | AC LED Bulbs, Incandescent & Halogen Bulbs |
| TA60WD12LED65B15RE | 120V AC 50/60Hz | 0.5 A | 12V DC | 459g | LED Strips, LED Bulbs, Incandescent & Halogen Bulbs |
| TA60WD12LED65B15REO | 120V AC 50/60Hz | 0.5 A | 12V DC | 600g | LED Strips, LED Bulbs, Incandescent & Halogen Bulbs |
| TA60WA12LED65B15D010RE | 120V AC 50/60Hz | 0.5 A | 12V AC | 459g | AC LED Bulbs, Incandescent & Halogen Bulbs |



L.T.F.

No-Load Electronic Transformers

TA, TE, TU 60W 12V AC & DC Series



TA Series 120V Remote

| Model # | Input Voltage | Input Current | Output Voltage | Weight | Load Type |
|-------------------------|-----------------|---------------|----------------|--------|---|
| TA60WA12LED65B15D010REO | 120V AC 50/60Hz | 0.5 A | 12V AC | 600g | AC LED Bulbs, Incandescent & Halogen Bulbs |
| TA60WD12LED65B15D010RE | 120V AC 50/60Hz | 0.5 A | 12V DC | 459g | LED Strips, LED Bulbs, Incandescent & Halogen Bulbs |
| TA60WD12LED65B15D010REO | 120V AC 50/60Hz | 0.5 A | 12V DC | 600g | LED Strips, LED Bulbs, Incandescent & Halogen Bulbs |

TE Series 277V

| Model # | Input Voltage | Input Current | Output Voltage | Weight | Load Type |
|----------------------|-----------------|---------------|----------------|--------|---|
| TE60WA12LED65B15 | 277V AC 50/60Hz | 0.2 A | 12V AC | 137.5g | AC LED Bulbs, Incandescent & Halogen Bulbs |
| TE60WD12LED65B15 | 277V AC 50/60Hz | 0.2 A | 12V DC | 137.5g | LED Strips, LED Bulbs, Incandescent & Halogen Bulbs |
| TE60WA12LED65B15D010 | 277V AC 50/60Hz | 0.2 A | 12V AC | 137.5g | AC LED Bulbs, Incandescent & Halogen Bulbs |
| TE60WD12LED65B15D010 | 277V AC 50/60Hz | 0.2 A | 12V DC | 137.5g | LED Strips, LED Bulbs, Incandescent & Halogen Bulbs |

TE Series 277V Remote

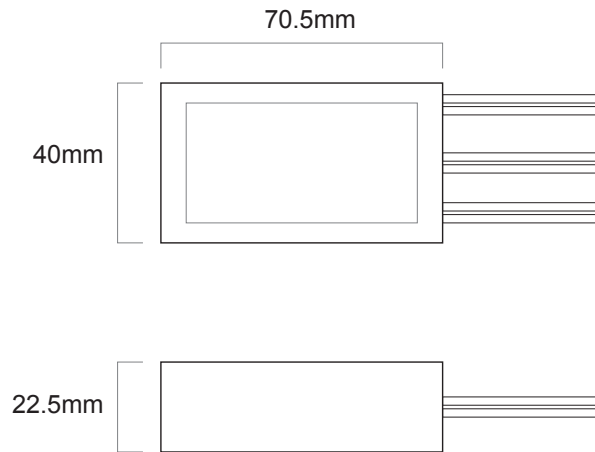
| Model # | Input Voltage | Input Current | Output Voltage | Weight | Load Type |
|-------------------------|-----------------|---------------|----------------|--------|---|
| TE60WA12LED65B15RE | 277V AC 50/60Hz | 0.2 A | 12V AC | 459g | AC LED Bulbs, Incandescent & Halogen Bulbs |
| TE60WA12LED65B15REO | 277V AC 50/60Hz | 0.2 A | 12V AC | 600g | AC LED Bulbs, Incandescent & Halogen Bulbs |
| TE60WD12LED65B15RE | 277V AC 50/60Hz | 0.2 A | 12V DC | 459g | LED Strips, LED Bulbs, Incandescent & Halogen Bulbs |
| TE60WD12LED65B15REO | 277V AC 50/60Hz | 0.2 A | 12V DC | 600g | LED Strips, LED Bulbs, Incandescent & Halogen Bulbs |
| TE60WA12LED65B15D010RE | 277V AC 50/60Hz | 0.2 A | 12V AC | 459g | AC LED Bulbs, Incandescent & Halogen Bulbs |
| TE60WA12LED65B15D010REO | 277V AC 50/60Hz | 0.2 A | 12V AC | 600g | AC LED Bulbs, Incandescent & Halogen Bulbs |
| TE60WD12LED65B15D010RE | 277V AC 50/60Hz | 0.2 A | 12V DC | 459g | LED Strips, LED Bulbs, Incandescent & Halogen Bulbs |
| TE60WD12LED65B15D010REO | 277V AC 50/60Hz | 0.2 A | 12V DC | 600g | LED Strips, LED Bulbs, Incandescent & Halogen Bulbs |



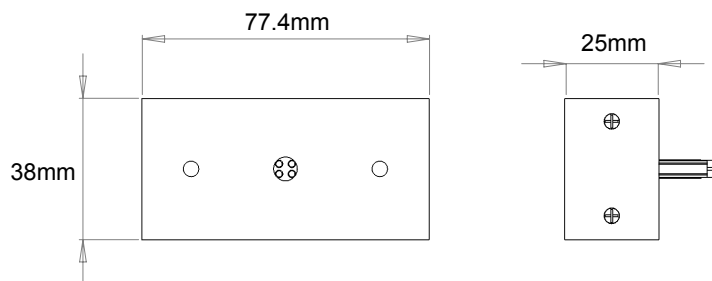
MECHANICAL SPECIFICATIONS

| Available Form Factors | Dimensions |
|------------------------|-----------------|
| "B7" | 70.5x40x22.5mm |
| "C" | 77.4x25x38mm |
| "G1" | 207X50.8X43.1mm |
| "G4" | 238X66X48mm |

B7

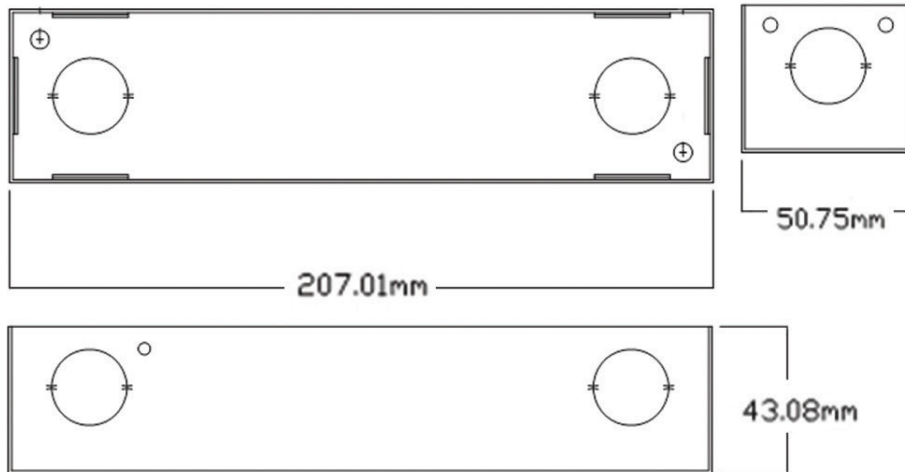


C





G1 - REMOTE (RE) INDOOR ENCLOSURE - UL LISTED



G4 - REMOTE (REO) OUTDOOR ENCLOSURE - UL LISTED

