



L.T.F.

Dimmable Low Voltage LED Driver

15W DA15W-3001 120V Series Constant Current & Constant Voltage



Efficiency	> 80%
Power Factor	> 0.9
Case TC	90°C Max.
Protection	Input / Output
Storage	-25°C / +80°C
Humidity	90% RH Max.
IP Rating	IP44
Class	Class 2 Power Supply
Dimming	Triac, ELV



RoHS



FCC Part 15
Class B compliant



YEAR WARRANTY

*Ask for more information

FEATURES

- California Title 24 compliant
- Isolated output power per NEC and UL safety requirements
- UL and ETL recognized/ Listed, UL 8750
- Auto-reset; short circuit, overload and thermal protection
- Dimmable with ELV and Triac type dimmers
- Low profile, small form factor
- Flicker free dimming and excellent dimming range
- Class 2 and other than Class 2 power supply
- Efficient, high power factor, low THD, FCC compliant
- Constant current or constant voltage models available

ELECTRICAL SPECIFICATIONS

Constant Current					
Model #	Input Voltage	Wattage	Output Voltage	Output Current	Case Form Factor
DA15W200C5975F4-3001	120V AC, 0.16A 60Hz	15W	59-75V DC	200mA	F4
DA15W250C4460F4-3001			44-60V DC	250mA	
DA15W300C3450F4-3001			34-50V DC	300mA	
DA15W350C2742F4-3001			27-42V DC	350mA	
DA15W400C2137F4-3001			21-37V DC	400mA	
DA15W450C1733F4-3001			17-33V DC	450mA	
DA15W500C1430F4-3001			14-30V DC	500mA	
DA15W550C1127F4-3001			11-27V DC	550mA	
DA15W600C0925F4-3001			9-25V DC	600mA	
DA15W700C0521F4-3001			5-21V DC	700mA	

Constant Voltage					
Model #	Input Voltage	Wattage	Output Voltage	Load	Case Form Factor
DA15W12VF4-3001	120V AC, 0.16A 60Hz	15W	12V DC	12V DC LED, 1.25A max.	F4
DA15W24VF4-3001			24V DC	24V DC LED, 0.625A max.	
DA15W48VF4-3001			48V DC	48V DC LED, 0.313A max.	

L.T.F. L.L.C. PHONE: (847) 498-5832 FAX: (773) 337-5628 EMAIL: sales@ltftechnology.com

Company's Address: 11966 Oak Creek Pkwy. Unit H, Huntley IL 60142 U.S.A. www.ltftechnology.com

© L.T.F., L.L.C. All rights reserved. L.T.F. reserves the right to change specification for product improvements without notification

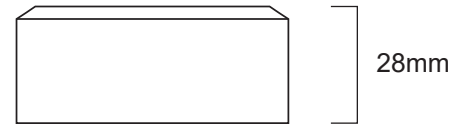
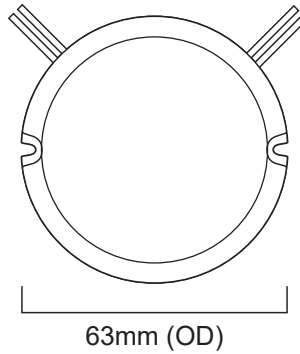
Dimmable Low Voltage LED Driver - DA15W-3001



MECHANICAL SPECS

F4

Available Form Factor	
"F4"	63mm (OD) x 28mm

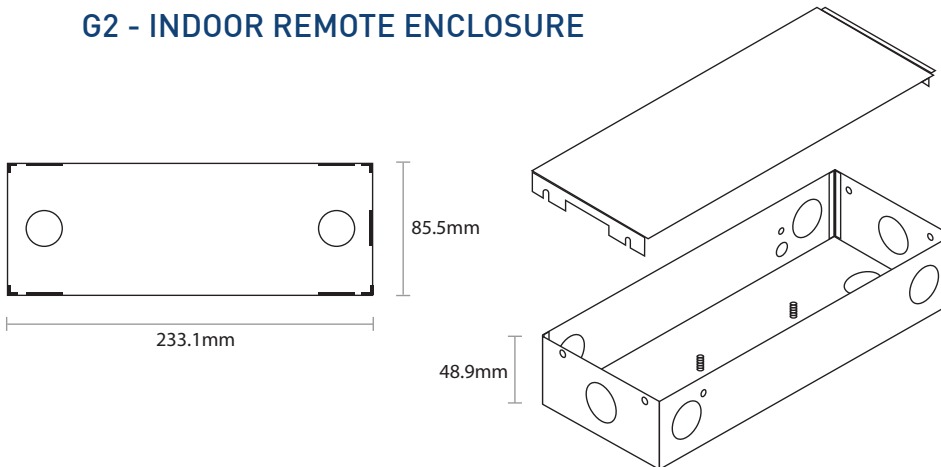


REMOTE ENCLOSURES - UL LISTED

Model	Enclosure Type	Enclosure Dimensions
DA15W-XXXX-RE-3001	G2 (Damp Rated)	233 x 85.5 x 49mm
DA15W-XXXX-REO-3001	G3 (Wet Rated)	280 (242) x 103 x 56mm



G2 - INDOOR REMOTE ENCLOSURE



G3 - OUTDOOR REMOTE ENCLOSURE

