



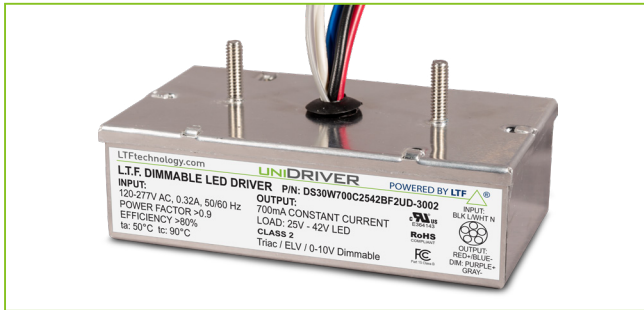
L.T.F.

Dimmable Low Voltage LED Driver - CLASS 2



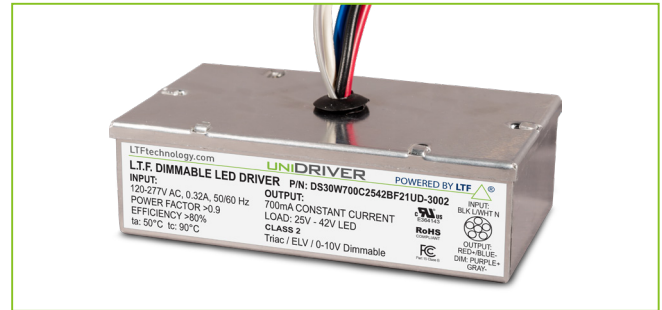
UniDriver Series Power Supplies BF2, BF21 Case Form Factor

BF2



*Includes 14mm mounting studs

BF21

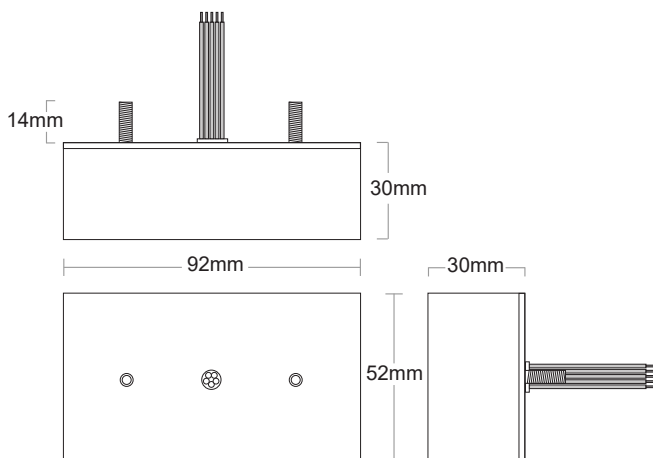


*No mounting studs

MECHANICAL SPECS

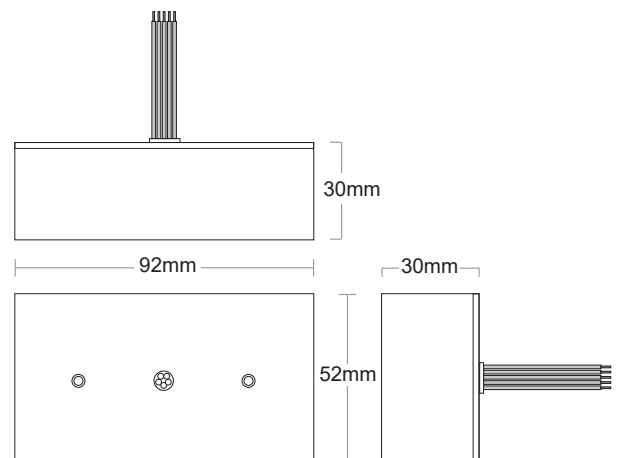
Form Factor	Dimensions	IP Rating	Remote Enclosures
"BF2"	92 x 52 x 30mm	IP64	G1, G4
"BF21"	92 x 52 x 30mm	IP64	G1, G4

BF2



*Includes 14mm mounting studs

BF21



*No mounting studs