



L.T.F.

Dimmable Low Voltage LED Driver - CLASS 2



UniDriver Series Power Supplies BF, BF1 Case Form Factor

BF



*Includes 13mm mounting studs

BF1

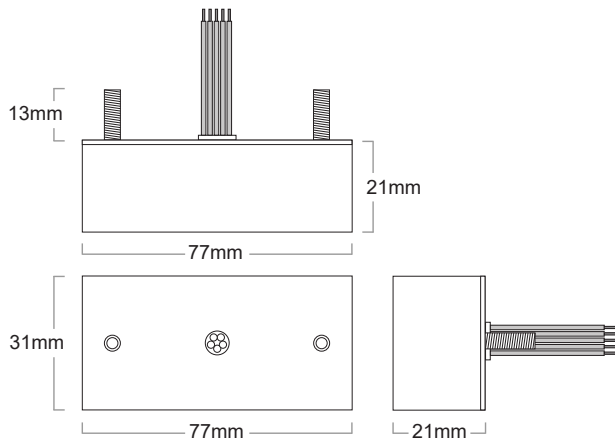


*No mounting studs

MECHANICAL SPECS

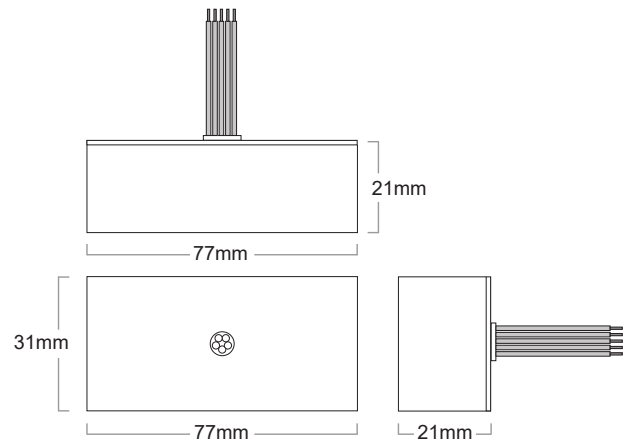
Form Factor	Dimensions	IP Rating	Remote Enclosures
"BF"	77 x 31 x 21mm	IP64	G1, G4
"BF1"	77 x 31 x 21mm	IP64	G1, G4

BF



*Includes 13mm mounting studs

BF1



*No mounting studs