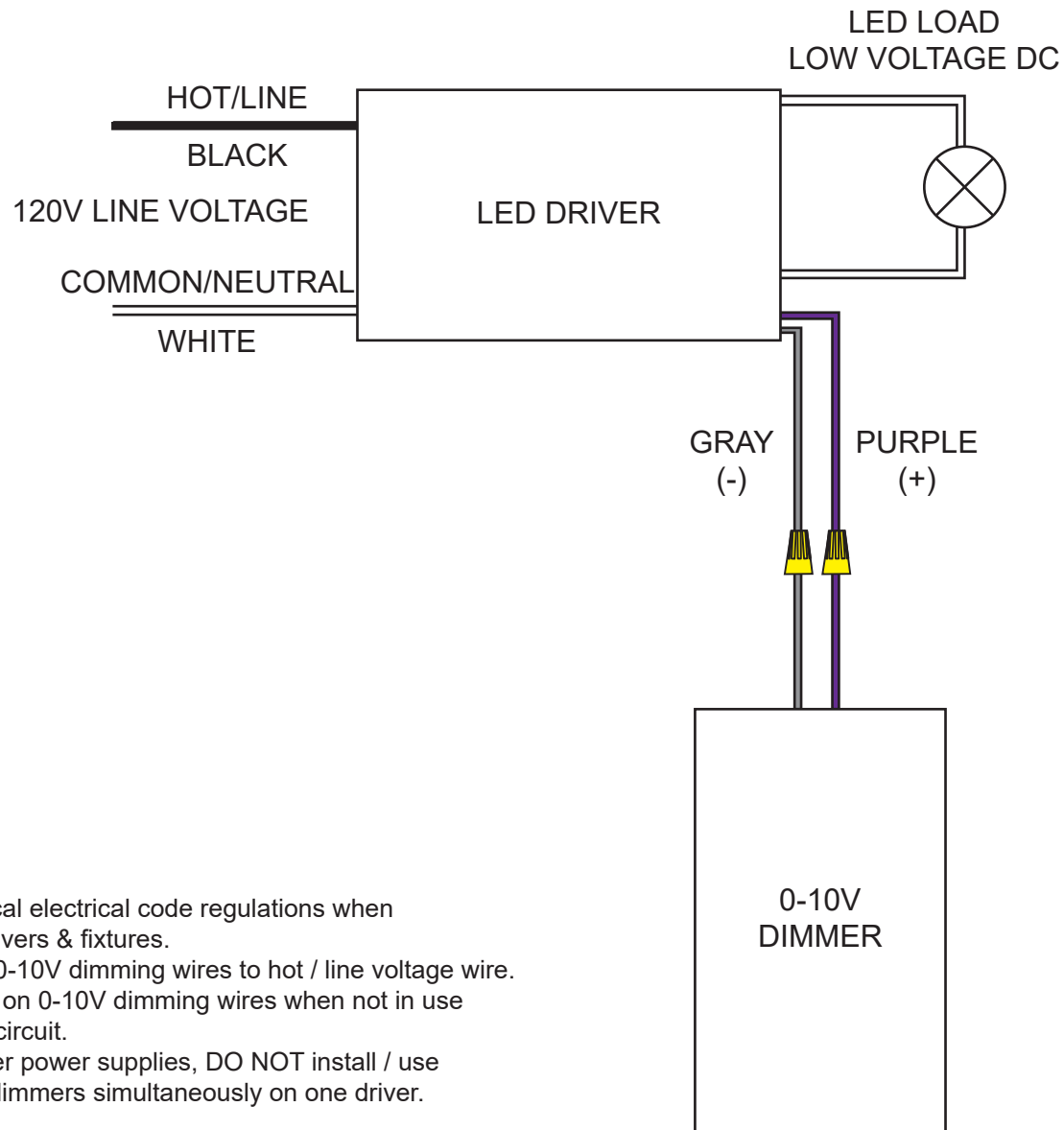


0-10V dimming diagram



CAUTION:

- Always follow local electrical code regulations when installing LED drivers & fixtures.
- DO NOT attach 0-10V dimming wires to hot / line voltage wire.
- Leave wire caps on 0-10V dimming wires when not in use to prevent short circuit.
- For LTF UniDriver power supplies, DO NOT install / use ELV and 0-10V dimmers simultaneously on one driver.