



**L.T.F.**

## Color Tunable COB LED Series



**LTCOBi1818905727 Dual Channel  
Color Tunable Chip on Board LED**

**COBi**



<b>Dimensions</b>	17.75 x 17.75mm
<b>LES</b>	12mm
<b>CSP Array</b>	1202
<b>Chip Array</b>	1202
<b>Voltage</b>	36V
<b>Power</b>	25W
<b>Efficacy</b>	100 lm/W
<b>Channel</b>	Dual
<b>CCT</b>	2700K-5700K
<b>CRI</b>	90+



**RoHS**



Color tunable COBi series LEDs by LTF are based on Flip-Chip and Chip Scale Packaging technology with high reliability, flux density and spatial color uniformity.

### FEATURES

- Drop-in replacement for popular COB form factor
- High reliability with CSP and Flip-Chip technology
- Spatial color uniformity
- Emulates the dimming curve of incandescent sources

### APPLICATIONS

- Hospitality lighting
- Commercial lighting
- New or retrofit products

### ELECTRICAL SPECIFICATIONS

Color Temperature (CCT)	Forward Current (mA)		Voltage (V)		Luminous Flux (lm)
	C.If(mA)	W.If(mA)	C.Vf(V)	W.Vf(V)	
2700K	100	600	30 - 38	30 - 38	2140
3000K	180	520	30 - 38	30 - 38	2270
3500K	300	400	30 - 38	30 - 38	2480
4000K	420	280	30 - 38	30 - 38	2620
5000K	580	120	30 - 38	30 - 38	2680
5700K	670	30	30 - 38	30 - 38	2670

COBi Series Color Tunable Chip on Board LEDs



**L.T.F.**

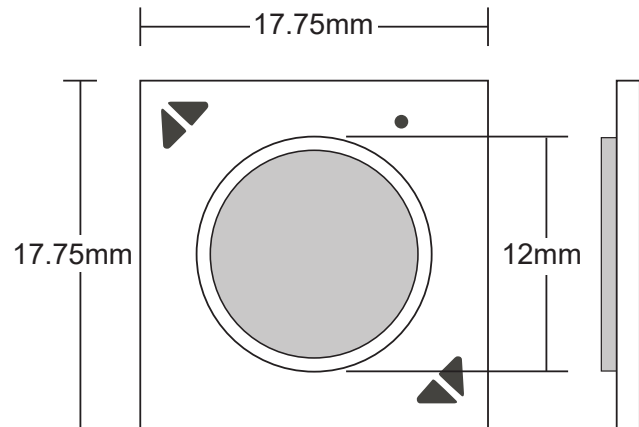
## Color Tunable COB LED Series

**LTCOBi1818905727 Dual Channel  
Color Tunable Chip on Board LED**

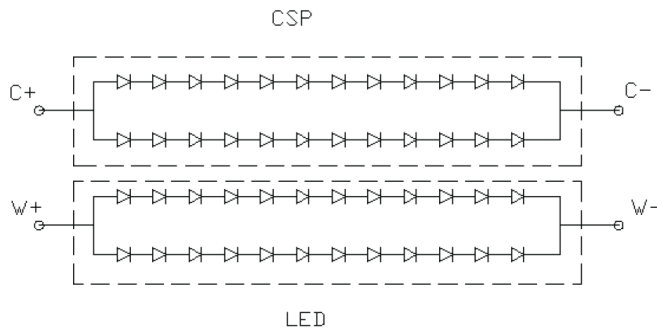


### MECHANICAL SPECIFICATIONS

Board Dimensions	Light Emitting Surface
17.75 x 17.75mm	12mm



### SCHEMATIC



CSP 12 series × 2 parallel =24 pcs of CSPs  
LED 12 series × 2 parallel =24 pcs of LEDs

COBi Series Color Tunable Chip on Board LEDs