



L.T.F.

Color Tunable COB LED Series



**LTCOBi1616905727 Dual Channel
Color Tunable Chip on Board LED**

COBi



Dimensions	15.75 x 15.75mm
LES	9mm
CSP Array	1201
Chip Array	1201
Voltage	36V
Power	13W
Efficacy	100 lm/W
Channel	Dual
CCT	2700K-5700K
CRI	90+



RoHS



Color tunable COBi series LEDs by LTF are based on Flip-Chip and Chip Scale Packaging technology with high reliability, flux density and spatial color uniformity.

FEATURES

- Drop-in replacement for popular COB form factor
- High reliability with CSP and Flip-Chip technology
- Spatial color uniformity
- Emulates the dimming curve of incandescent sources

APPLICATIONS

- Hospitality lighting
- Commercial lighting
- New or retrofit products

ELECTRICAL SPECIFICATIONS

Color Temperature (CCT)	Forward Current (mA)		Voltage (V)		Luminous Flux (lm)
	C.If(mA)	W.If(mA)	C.Vf(V)	W.Vf(V)	
2700K	50	300	30-38	30-38	1100
3000K	90	260	30-38	30-38	1185
3500K	150	200	30-38	30-38	1290
4000K	210	140	30-38	30-38	1355
5000K	290	60	30-38	30-38	1375
5700K	335	15	30-38	30-38	1350

COBi Series Color Tunable Chip on Board LEDs



L.T.F.

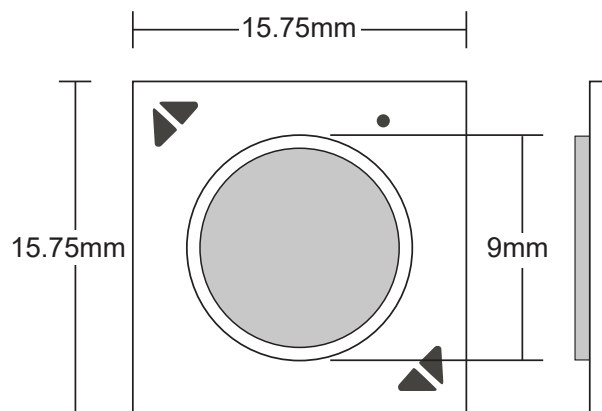
Color Tunable COB LED Series

**LTCOBi1616905727 Dual Channel
Color Tunable Chip on Board LED**

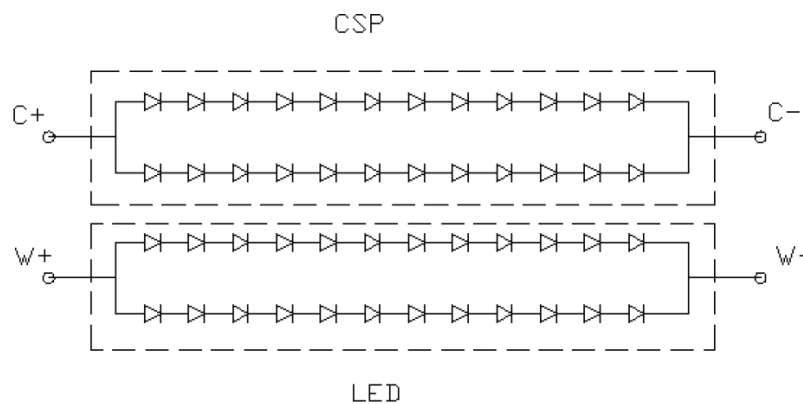


MECHANICAL SPECIFICATIONS

Board Dimensions	Light Emitting Surface
15.75 x 15.75mm	9mm



SCHEMATIC



CSP 12 series × 2 parallel =24 pcs of CSPs
LED 12 series × 2 parallel =24 pcs of LEDs

COBi Series Color Tunable Chip on Board LEDs