



L.T.F.

Color Tunable COB LED Series



**LTCOBi1313903018 Single Channel
Color Tunable Chip on Board LED**

COBi



Dimensions	13.25 x 13.25mm
LES	6mm
CSP Array	0501
Chip Array	0601
Voltage	18V
Power	6W
Efficacy	90 lm/W
Channel	Single
CCT	1800K - 3000K
CRI	90+



RoHS



Color tunable COBi series LEDs by LTF are based on Flip-Chip and Chip Scale Packaging technology with high reliability, flux density and spatial color uniformity.

FEATURES

- Drop-in replacement for popular COB form factor
- High reliability with CSP and Flip-Chip technology
- Spatial color uniformity
- Emulates the dimming curve of incandescent sources

APPLICATIONS

- Hospitality lighting
- Commercial lighting
- New or retrofit products

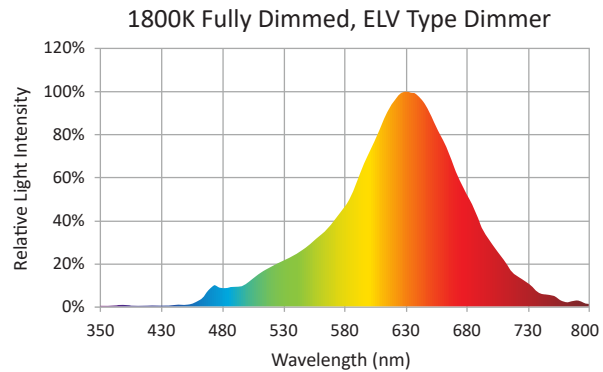
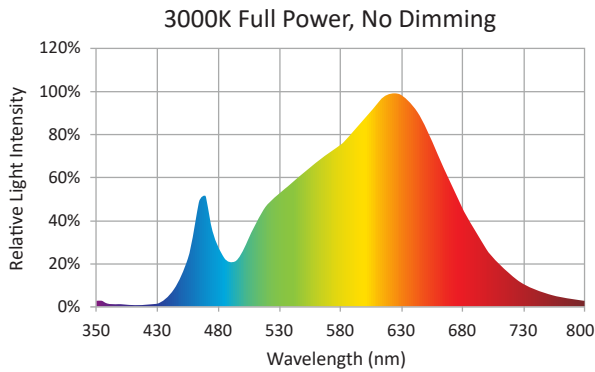
ELECTRICAL SPECIFICATIONS

CCT	Item	Symbol	Condition	Min.	Typ.	Max.	Unit
1800K	Forward Voltage	Vf	I=20mA	-	14.5	-	V
	Luminous Flux	Φ		-	21	-	lm
	Chromaticity Coordinates	x		-	0.5500	-	-
		y		-	0.4080	-	-
General Color Rendering Index	Ra	92.5	-	-	-		
3000K	Forward Voltage	Vf	I=350mA	-	17.5	-	V
	Luminous Flux	Φ		-	550	-	lm
	Chromaticity Coordinates	x		-	0.4338	-	-
		y		-	0.4030	-	-
General Color Rendering Index	Ra	93.7	-	-	-		

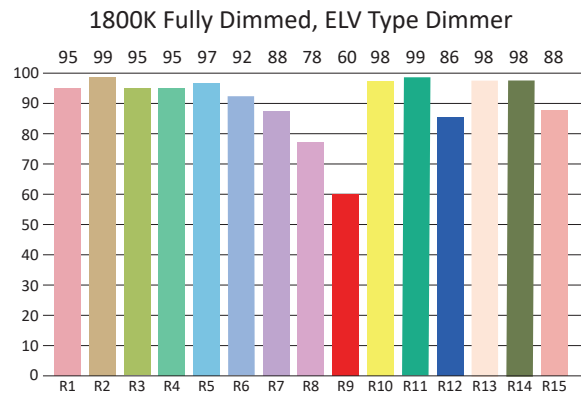
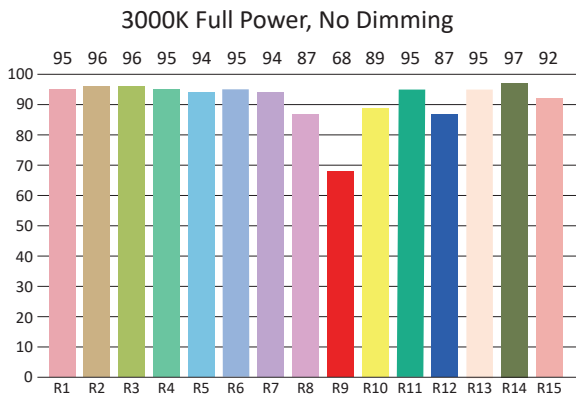
COBi Series Color Tunable Chip on Board LEDs



SPECTRORADIOMETRIC CHARACTERISTICS



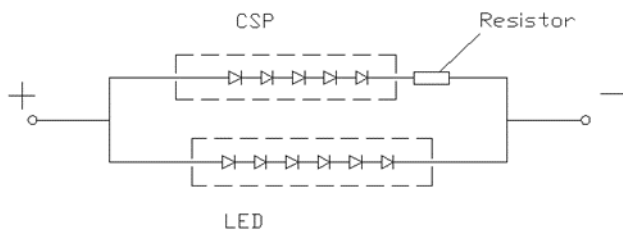
CRI TEST RESULTS



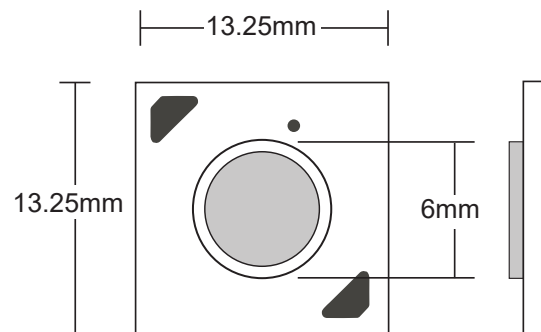
MECHANICAL SPECIFICATIONS

Board Dimensions	Light Emitting Surface
13.25 x 13.25mm	6mm

SCHEMATIC



CSP 5 series × 1 parallel = 5 pcs of CSPs
LED 6 series × 1 parallel = 6 pcs of LEDs



COBi Series Color Tunable Chip on Board LEDs