

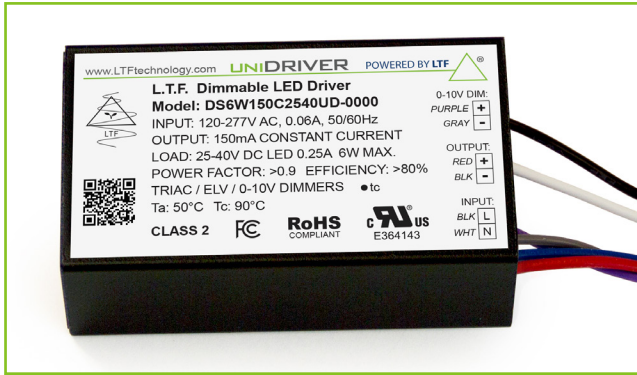


L.T.F.

Dimmable Low Voltage LED Driver- CLASS 2

6W DS6W-0000 120-277V UniDriver Series Constant Current & Constant Voltage

UNIDRIVER



Efficiency	> 77%
Power Factor	> 0.9
Case TC	90°C Max.
Protection	Input / Output
Storage	-30°C / +90°C
Humidity	95% RH Max.
IP Rating	IP 67
Class	Class 2 Power Supply
Dimming	0-10V, TRIAC, ELV



RoHS



FCC Part 15
Class B compliant



* Ask for more information

FEATURES

- Universal dimming: 0-10V, TRIAC, and ELV dimmable
- Universal input voltage; 120-277V AC
- Exceeds California Title 24 requirements
- Isolated output power per NEC and UL safety requirements
- UL recognized / Listed, UL8750, UL1310
- Auto-reset; short circuit, overload and thermal protection
- Superior thermal performance
- High W/m.K encapsulating material
- Low profile, small form factor
- Class 2 power supply and other than Class 2 options
- Efficient, high power factor, low THD < 20%
- Constant current or constant voltage models available

ELECTRICAL SPECIFICATIONS

Constant Current					
Model #	Input Voltage	Wattage	Output Voltage	Output Current	Form Factor
DS6W100C4560UD-0000	120-277V AC, 0.06A, 50/60Hz	6W	45-60V DC	100mA	MB1
DS6W120C3550UD-0000			35-50V DC	120mA	
DS6W150C2542UD-0000			25-42V DC	150mA	
DS6W180C1833UD-0000			18-33V DC	180mA	
DS6W200C1530UD-0000			15-30V DC	200mA	
DS6W230C1126UD-0000			11-26V DC	230mA	
DS6W250C0924UD-0000			9-24V DC	250mA	
DS6W280C0621UD-0000			6-21V DC	280mA	
DS6W300C0520UD-0000			5-20V DC	300mA	
DS6W320C0318UD-0000			3-18V DC	320mA	

LED Driver - DS UniDriver Series - Class 2



**6W DS6W-0000 120-277V UniDriver Series
Constant Current & Constant Voltage**

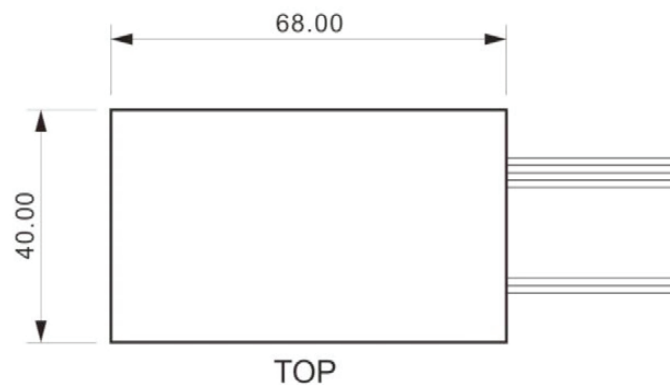
ELECTRICAL SPECIFICATIONS

Constant Voltage					
Model Number	Input Voltage	Wattage	Output Voltage	Load	Form Factor
DS6W12VUD-0000	120-277V AC, 0.06A, 50/60Hz	6W	12V DC	0.5A DC LED	MB1
DS6W24VUD-0000			24V DC	0.25A DC LED	
DS6W36VUD-0000			36V DC	0.17A DC LED	
DS6W48VUD-0000			48V DC	0.125A DC LED	

MECHANICAL SPECS

Form Factor	Dimensions
"MB1"	68 x 40 x 22mm

MB1





L.T.F.

Dimmable Low Voltage LED Driver- CLASS 2

**6W DS6W-0000 120-277V UniDriver Series
Constant Current & Constant Voltage**

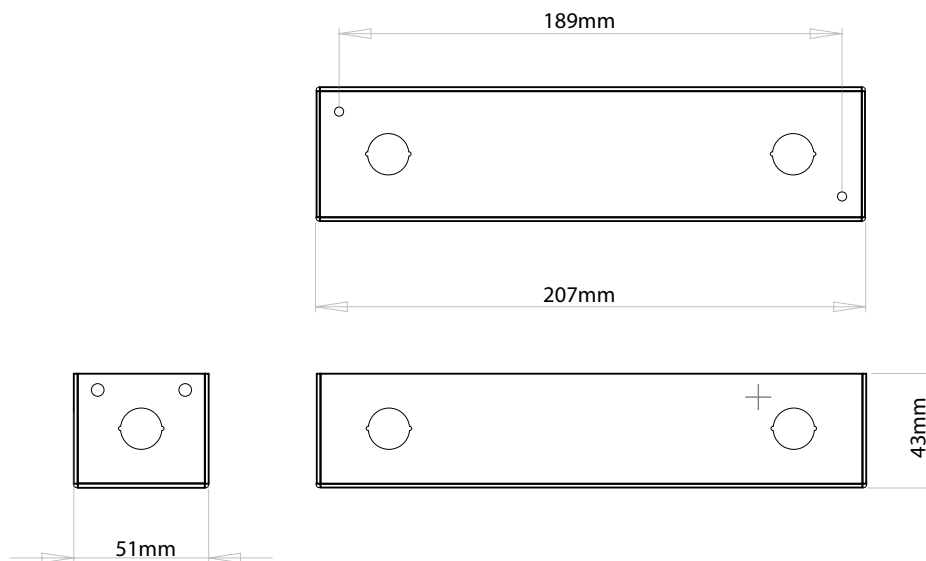


REMOTE ENCLOSURES - UL LISTED

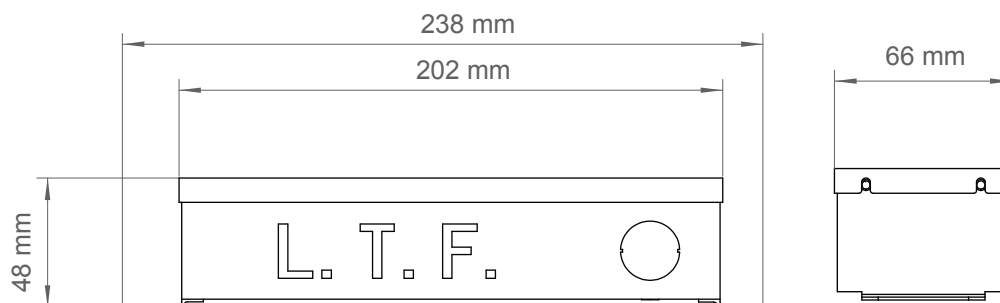
Model	Enclosure Type	Enclosure Dimensions
DS6W-XXXX-UDRE-0000	G1 (Damp Rated)	207 x 51 x 43mm
DS6W-XXXX-UDREO-0000	G4 (Wet Rated)	238 (202) x 66 x 48mm



G1 INDOOR REMOTE ENCLOSURE



G4 OUTDOOR REMOTE ENCLOSURE



LED Driver - DS UniDriver Series - Class 2