



L.T.F.

SunLight2 MR16 LED Bulb Series

**12V GU5.3 8W LED Halogen Replacement Bulbs
High CRI & R9, Dim-to-Warm 3000k to 1800K**



SunLight2



Not rated for enclosed fixtures

CCT	3000K dims to 1800K
Max. Tc	90° C
Ambient Temp.	-30°C to 35°C
Power Factor	0.92
CRI, R9	96.8, 96
Lumens	468 lm
Flicker Index	0.01
Percent Flicker	< 1%
Dimming	Phase Dimmable
InRush Cycle to Cycle	< 1 Amp



RoHS



FEATURES

- Direct replacement for halogen bulbs
- GU5.3 Base MR16
- High CRI 96.4 and high R9 96
- Dim-to-Warm capability; 3000K dims to 1800K
- Low blue emission for healthy vision
- Zero ultraviolet emission, won't fade colors
- Beam angles 24° or 36°
- Title 24 Compliant, low flicker < 1%
- 30,000 hours rating
- 3 years / 25k hours warranty

APPLICATIONS

- Color-critical task lighting
- Residential & hospitality lighting
- Museum and gallery lighting
- Color-critical retail displays (e.g, apparel, groceries, hard goods & toys)
- Track lighting, new & retrofit
- Desk lamps
- Indoor and Outdoor

ELECTRICAL SPECIFICATIONS

Model Number	Wattage	Input Voltage	Case Finishes	Beam Angle	Lumens
BL18W12V3018KWD124	8W	12V AC*	Silver, Black, White, Custom	24°	468
BL18W12V3018KWD136				36°	450

* Input voltage range 10V AC to 18V AC

RECOMMENDED LTF POWER SUPPLIES

Model Number	Wattage	Input	Output	IP Rating	FCC Compliant	Dimming
TA60WA12LED	60W	120V AC, 0.5A 50/60Hz	12V AC	IP60	No	ELV, Optional 0-10V
TA60WA12LED65B15				IP65	Yes	
TE60WA12LED65B15				IP65	Yes	

SunLight2 Series 8W 12V MR16 LED Bulb



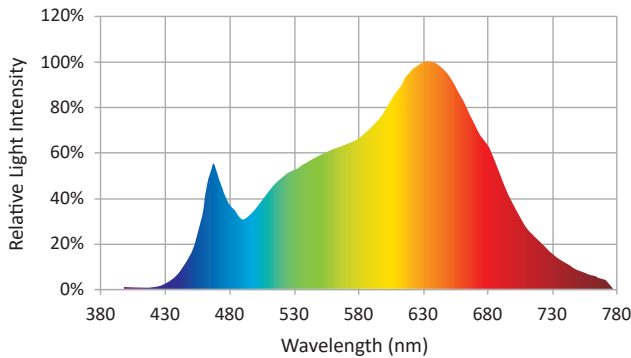
L.T.F

SunLight2 MR16 LED Bulb Series

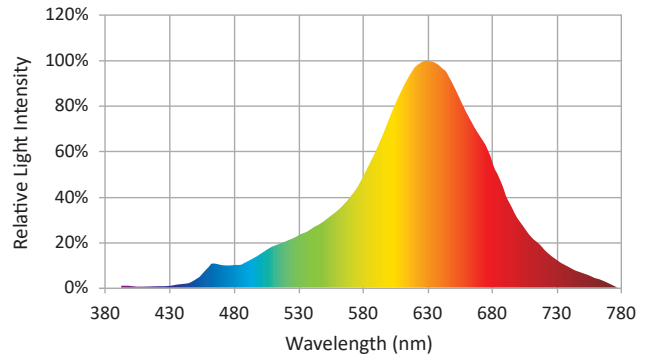
**12V GU5.3 8W LED Halogen Replacement Bulbs
High CRI & R9, Dim-to-Warm 3000k to 1800K**

SPECTRORADIOMETRIC PARAMETERS

CCT 3000K (no dimming)

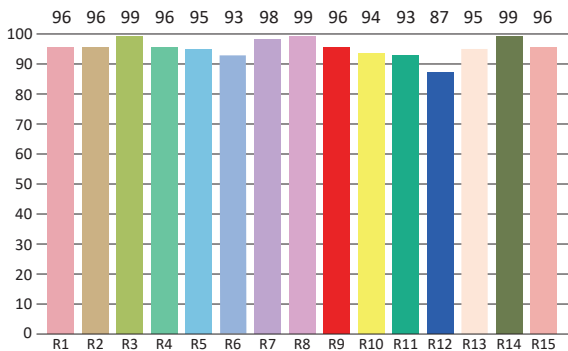


CCT 1800K (fully dimmed)

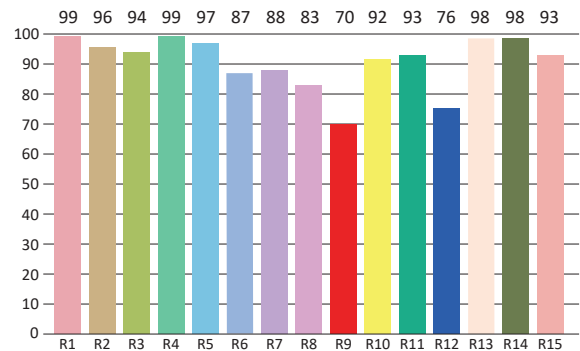


CRI TEST RESULTS

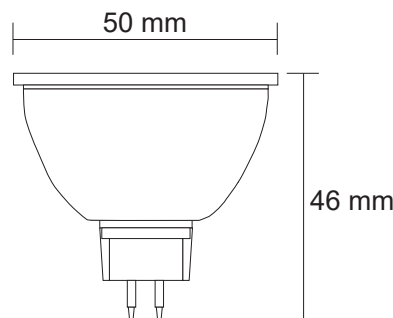
CCT 3000K (no dimming)



CCT 1800K (fully dimmed)



MECHANICAL SPECS



SunLight2 Series 8W 12V MR16 LED Bulb