

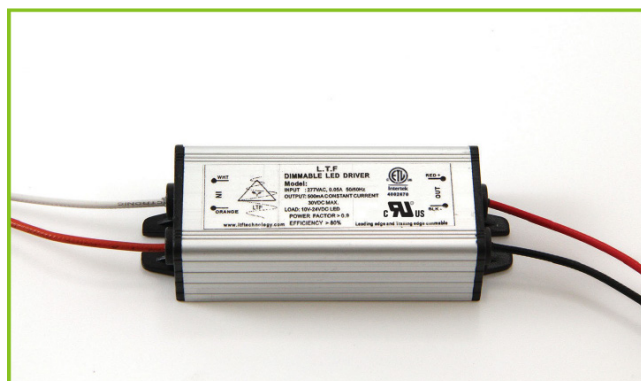


L.T.F.

Dimmable Low Voltage LED Driver - CLASS 2

15W DA15W 120V Series

Constant Current / Constant Voltage



Efficiency	higher than 85%
Power Factor	>95%
Case TC	90°C Max.
Protection	Input / Output
Storage	-30°C / +90°C
Humidity	95% RH Max.
IP Rating	IP 60, 65, 67
Class	Class 2 Power Supply
Dimming	ELV & Triac Dimmable
Optional Dimming	0-10V



RoHS



FCC Part 15
Class B compliant



5
7*10⁺
YEAR WARRANTY
* Ask for more Information

FEATURES

- Isolated output power per NEC and UL safety requirements
- UL and ETL recognized/ Listed, UL 8750, 1310
- Auto-reset ; Short circuit, Overload and Thermal protection
- Dimmable with ELV and Triac type dimmers
- Aluminum casing for optimal heat dissipation
- Low profile, small form factor, junction box mountable
- Flicker free dimming and excellent dimming range
- Class 2 power supply and other than Class 2 options
- Efficient, high power factor, low THD, FCC compliant

ELECTRICAL SPECIFICATIONS

Constant Current					
Model #	Input Voltage	Input Current	Output Voltage	Output Current	Available Form Factors
DA15W220C	120V AC 50/60Hz	0.125 A	68.2V DC	220 mA	A5, B9, PL1
DA15W280C	120V AC 50/60Hz	0.125 A	53.6V DC	280 mA	A5, B9, PL1
DA15W320C	120V AC 50/60Hz	0.125 A	46.9V DC	320 mA	A5, B9, PL1
DA15W350C	120V AC 50/60Hz	0.125 A	42.9V DC	350 mA	A5, B9, T11, PL1
DA15W420C	120V AC 50/60Hz	0.125 A	35.8V DC	420 mA	A5, B9, PL1
DA15W440C	120V AC 50/60Hz	0.125 A	34.1V DC	440 mA	A5, B9, PL1
DA15W500C	120V AC 50/60Hz	0.125 A	30.0V DC	500 mA	A5, B9, T11, PL1
DA15W550C	120V AC 50/60Hz	0.125 A	27.3V DC	550 mA	A5, B9, PL1
DA15W620C	120V AC 50/60Hz	0.125 A	24.3V DC	620 mA	A5, B9, PL1
DA15W700C	120V AC 50/60Hz	0.125 A	21.5V DC	700 mA	A5, B9, T11, PL1
DA15W750C	120V AC 50/60Hz	0.125 A	20.0V DC	750 mA	A5, B9, PL1
DA15W900C	120V AC 50/60Hz	0.125 A	16.7V DC	900 mA	A5, B9, PL1
DA15W1000C	120V AC 50/60Hz	0.125 A	15.0V DC	1000 mA	A5, B9, PL1

Dimmable Low Voltage LED Driver - CLASS 2 - DA15W



Dimmable Low Voltage LED Driver - CLASS 2

15W DA15W 120V Series

Constant Current / Constant Voltage

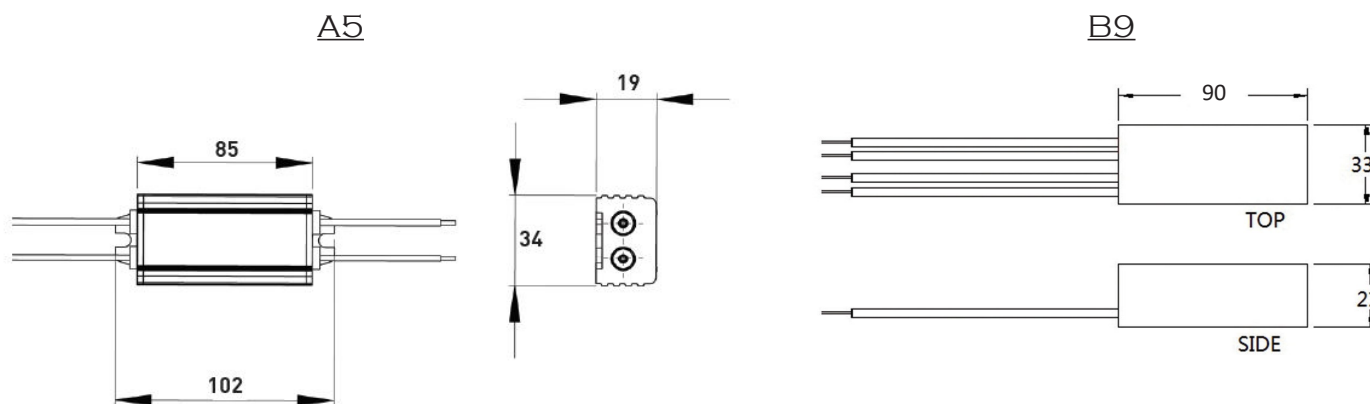
Constant Voltage					
Model #	Input Voltage	Input Current	Output Voltage	Output Current	Available Form Factors
DA15W12V	120V AC 50/60Hz	0.125 A	12V DC	1250 mA	A5, B9, PL1
DA15W24V	120V AC 50/60Hz	0.125 A	24V DC	630 mA	A5, B9, PL1

Dimming Guide	
Model #	Dimming Code
(L) DA15WXXXX	Standard Dimming
(L) DA15WXXXXD010	0-10V Dimming
(L) DA15WXXXXDALI	DALI Dimming

Remote Enclosure Option	
Model #	Remote Enclosure
LDA15WXXXXRE	G1
LDA15WXXXXREO	G4

MECHANICAL SPECS.

Available Form Factors	Dimensions
"A5"	85 (102) x 34 x 19mm
"B9"	90 x 33 x 21mm
"F4"	63 x 28mm
"T11"	95 x 31 x 21mm
"PL1"	90 x 49 x 33mm
"G1"	207 x 50.8 x 43mm
"G4"	238 x 66 x 48mm





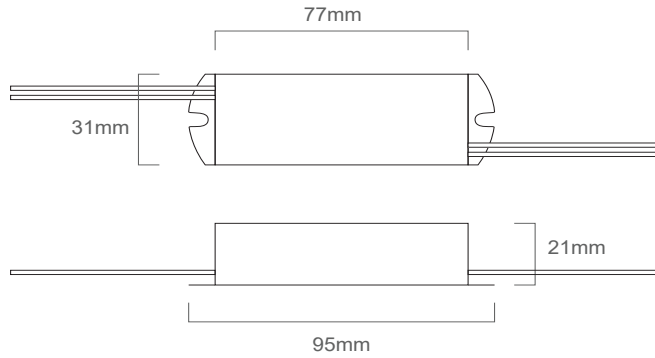
Dimmable Low Voltage LED Driver - CLASS 2

15W DA15W 120V Series

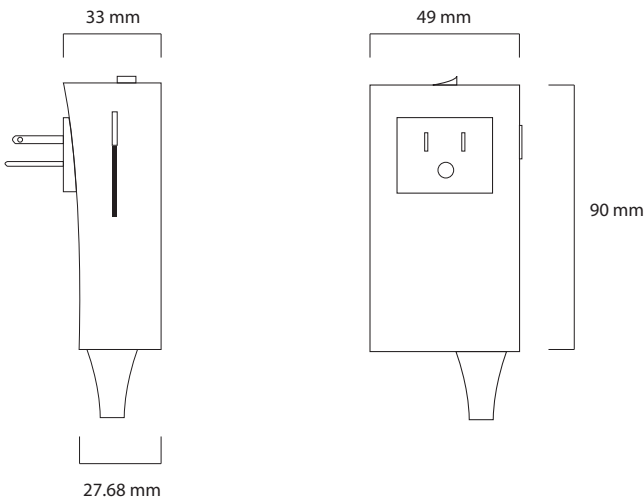
Constant Current / Constant Voltage



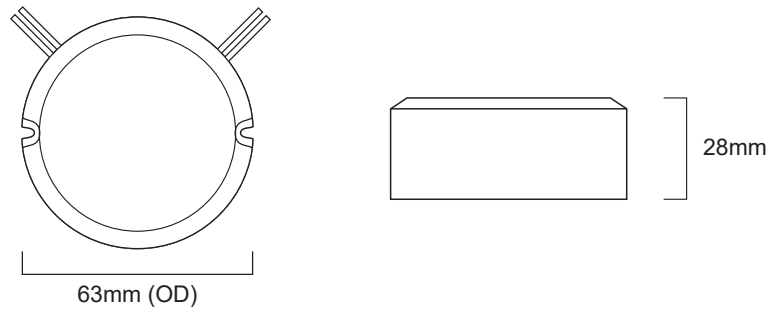
T11



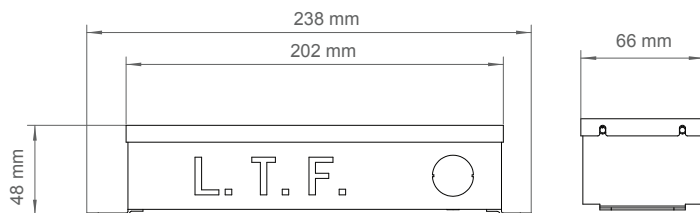
PL1



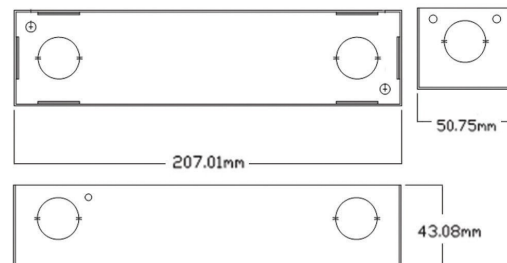
F4



G4



G1



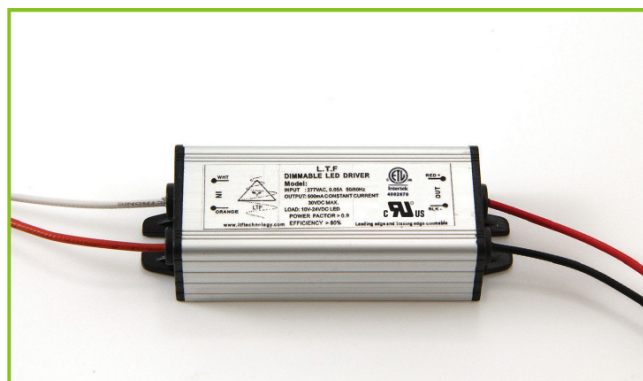


L.T.F.

Dimmable Low Voltage LED Driver - CLASS 2



15W DE15W 277V Series Constant Current / Constant Voltage



Efficiency	> 85%
Power Factor	> 95%
Case TC	90°C Max.
Protection	Input / Output
Storage	-30°C / +90°C
Humidity	95% RH Max.
IP Rating	IP 60, 65, 67
Class	Class 2 Power Supply
Dimming	ELV & Triac Dimmable
Optional Dimming	0-10V



RoHS



FEATURES

- Isolated output power per NEC and UL safety requirements
- UL and ETL recognized/ Listed, UL 8750, 1310
- Auto-reset ; Short circuit, Overload and Thermal protection
- Dimmable with ELV and Triac type dimmers
- Aluminum casing for optimal heat dissipation
- Low profile, small form factor, junction box mountable
- Flicker free dimming and excellent dimming range
- Class 2 power supply and other than Class 2 options
- Efficient, high power factor, low THD, FCC compliant

ELECTRICAL SPECIFICATIONS

Constant Current					
Model #	Input Voltage	Input Current	Output Voltage	Output Current	Available Form Factors
DE15W220C	277V AC 50/60Hz	0.06 A	68.2V DC	220 mA	A5, B9
DE15W280C	277V AC 50/60Hz	0.06 A	53.6V DC	280 mA	A5, B9
DE15W320C	277V AC 50/60Hz	0.06 A	46.9V DC	320 mA	A5, B9
DE15W350C	277V AC 50/60Hz	0.06 A	42.9V DC	350 mA	A5, B9
DE15W420C	277V AC 50/60Hz	0.06 A	35.8V DC	420 mA	A5, B9
DE15W440C	277V AC 50/60Hz	0.06 A	34.1V DC	440 mA	A5, B9
DE15W500C	277V AC 50/60Hz	0.06 A	30.0V DC	500 mA	A5, B9
DE15W550C	277V AC 50/60Hz	0.06 A	27.3V DC	550 mA	A5, B9
DE15W620C	277V AC 50/60Hz	0.06 A	24.3V DC	620 mA	A5, B9
DE15W700C	277V AC 50/60Hz	0.06 A	21.5V DC	700 mA	A5, B9
DE15W750C	277V AC 50/60Hz	0.06 A	20.0V DC	750 mA	A5, B9
DE15W900C	277V AC 50/60Hz	0.06 A	16.7V DC	900 mA	A5, B9
DE15W1000C	277V AC 50/60Hz	0.06 A	15.0V DC	1000 mA	A5, B9

Dimmable Low Voltage LED Driver - CLASS 2 - DE15W



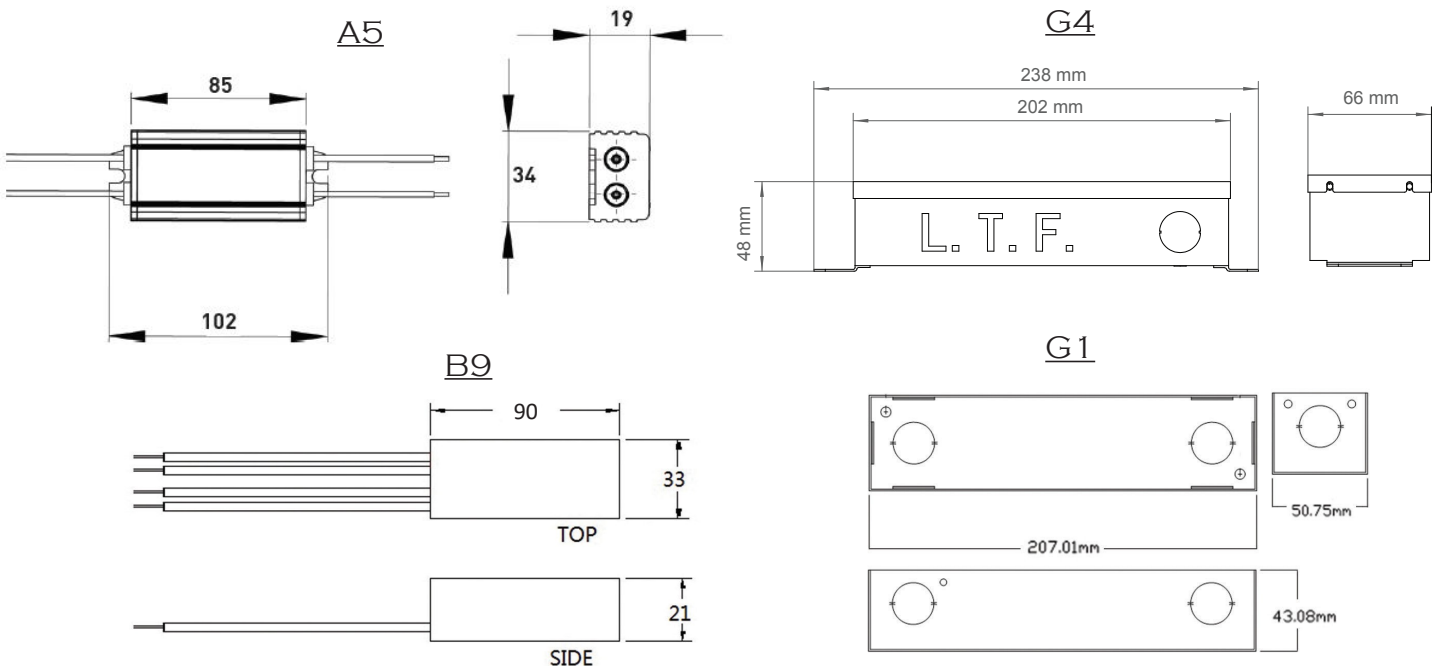
Constant Voltage					
Model #	Input Voltage	Input Current	Output Voltage	Output Current	Available Form Factors
DE15W12V	277V AC 50/60Hz	0.04 A	12V DC	1250 mA	A4, A5, B9
DE15W24V	277V AC 50/60Hz	0.04 A	24V DC	630 mA	A4, A5, B9

Dimming Guide	
Model #	Dimming Code
(L) DE15WXXXX	Standard Dimming
(L) DE15WXXXXD010	0-10V Dimming
(L) DE15WXXXXDALI	DALI Dimming

Remote Enclosure Option	
Model #	Remote Enclosure
LDE15WXXXXRE	G1
LDE15WXXXXREO	G4

MECHANICAL SPECS.

Available Form Factors	Dimensions
"A5"	85 (102) x 34 x19mm
"B9"	90X33X21mm
"G1"	207X50.8X43mm
"G4"	238X66X48mm



Dimmable Low Voltage LED Driver - CLASS 2 - DE15W



L.T.F.

Dimmable Low Voltage LED Driver - CLASS 2

15W DU15W 220-240V Series Constant Current / Constant Voltage



Efficiency	> 85%
Power Factor	> 95%
Case TC	90°C Max.
Protection	Input / Output
Storage	-30°C / +90°C
Humidity	95% RH Max.
IP Rating	IP 60, 65, 67
Class	Class 2 Power Supply
Dimming	ELV & Triac Dimmable
Optional Dimming	0-10V



RoHS



FEATURES

- Isolated output power per NEC and UL safety requirements
- UL and ETL recognized/ Listed, UL 8750, 1310
- Auto-reset ; Short circuit, Overload and Thermal protection
- Dimmable with ELV and Triac type dimmers
- Aluminum casing for optimal heat dissipation
- Low profile, small form factor, junction box mountable
- Flicker free dimming and excellent dimming range
- Class 2 power supply and other than Class 2 options
- Efficient, high power factor, low THD, FCC compliant

ELECTRICAL SPECIFICATIONS

Constant Current					
Model #	Input Voltage	Input Current	Output Voltage	Output Current	Available Form Factors
DU15W220C	220-240V AC 50/60Hz	0.07 A	68.2V DC	220 mA	A5, B9
DU15W280C	220-240V AC 50/60Hz	0.07 A	53.6V DC	280 mA	A5, B9
DU15W320C	220-240V AC 50/60Hz	0.07 A	46.9V DC	320 mA	A5, B9
DU15W350C	220-240V AC 50/60Hz	0.07 A	42.9V DC	350 mA	A5, B9
DU15W420C	220-240V AC 50/60Hz	0.07 A	35.8V DC	420 mA	A5, B9
DU15W440C	220-240V AC 50/60Hz	0.07 A	34.1V DC	440 mA	A5, B9
DU15W500C	220-240V AC 50/60Hz	0.07 A	30.0V DC	500 mA	A5, B9
DU15W550C	220-240V AC 50/60Hz	0.07 A	27.3V DC	550 mA	A5, B9
DU15W620C	220-240V AC 50/60Hz	0.07 A	24.3V DC	620 mA	A5, B9
DU15W700C	220-240V AC 50/60Hz	0.07 A	21.5V DC	700 mA	A5, B9
DU15W750C	220-240V AC 50/60Hz	0.07 A	20.0V DC	750 mA	A5, B9
DU15W900C	220-240V AC 50/60Hz	0.07 A	16.7V DC	900 mA	A5, B9
DU15W1000C	220-240V AC 50/60Hz	0.07 A	15.0V DC	1000 mA	A5, B9



**15W DU15W 220-240V Series
Constant Current / Constant Voltage**

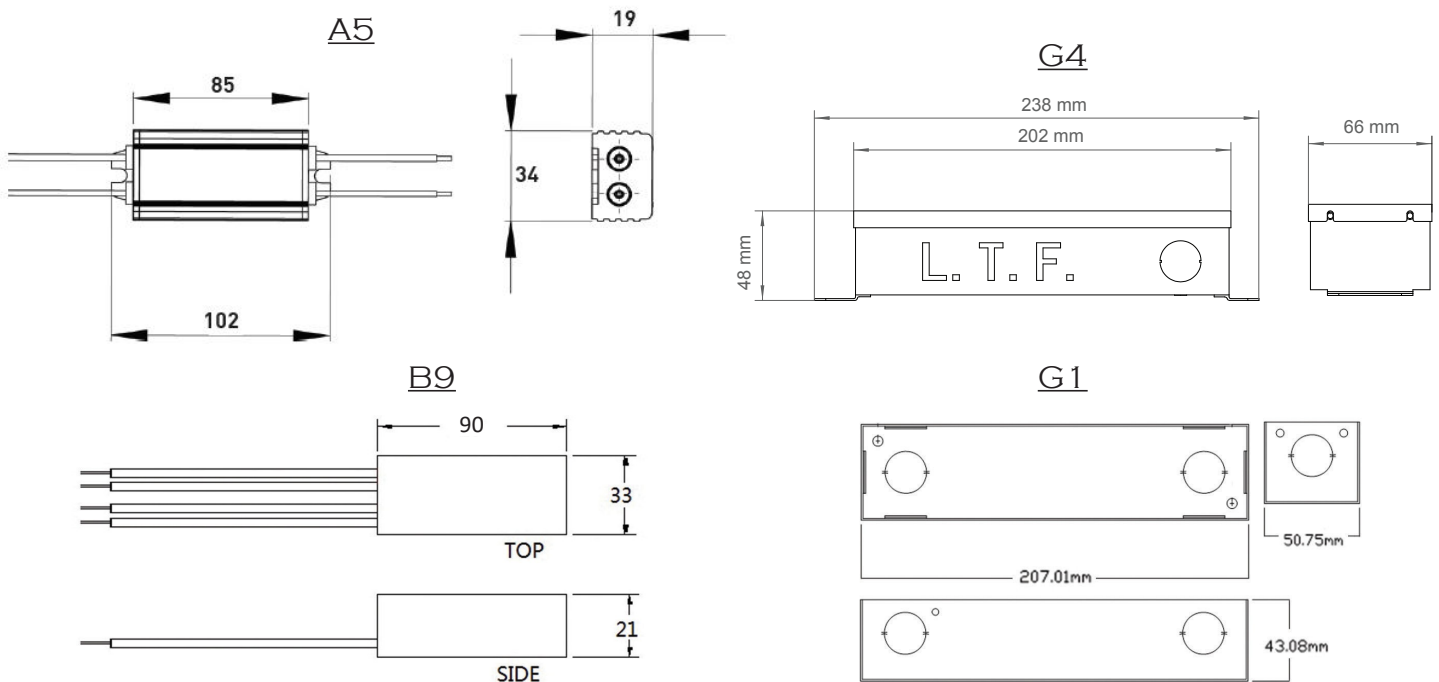
Constant Voltage					
Model #	Input Voltage	Input Current	Output Voltage	Output Current	Available Form Factors
DU15W12V	220-240V AC 50/60Hz	0.07 A	12V DC	1250 mA	A5, B9
DU15W24V	220-240V AC 50/60Hz	0.07 A	24V DC	630 mA	A5, B9

Dimming Guide	
Model #	Dimming Code
(L) DU15WXXXX	Standard Dimming
(L) DU15WXXXXD010	0-10V Dimming
(L) DU15WXXXXDALI	DALI Dimming

Remote Enclosure Option	
Model #	Remote Enclosure
LDU15WXXXXRE	G1
LDU15WXXXXREO	G4

MECHANICAL SPECS.

Available Form Factors	Dimensions
"A5"	85 (103) x 34 x 19mm
"B9"	90 x 33 x 21mm
"G1"	207 x 50.8 x 43mm
"G4"	238 x 66 x 48mm



Dimmable Low Voltage LED Driver - CLASS 2 - DU15W