



L.T.F.

Low Voltage Track Adapter

FJTRAK Series Track Adapter Housing
For Compact Fluorescent Lamps



Wattage	70W Max.
Input Voltage	120V AC 50/60Hz
Output Voltage	120V AC
Max. Case TC	90°C
Weight	236.5g
Dimensions	235 x 88 x 48mm



RoHS

Pb Free

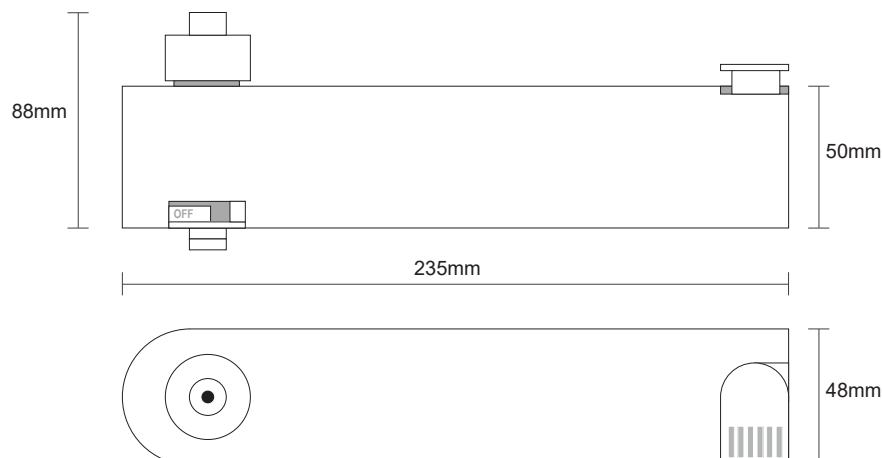
FEATURES

- Optimized for compact fluorescent lamps
- Compatible with H, J, and L type track lighting systems
- Compatible with most low voltage free jack type fixtures
- Integrated power switch
- High impact enclosure in black, white, silver, and custom colors
- Isolated output over per NEC and UL safety requirements
- UL recognized power supply, meets UL 1574, 2108 requirements
- Auto-reset, short circuit, overload and thermal protection
- ETL listed

ELECTRICAL SPECIFICATIONS

Model #	Track System Type	Input	Wattage	Output Voltage	Load Type	Colors Available
LNTRAKHFP	H	120V AC, 50/60Hz	70W Max.	120V AC	Compact Flourescent Lamps	Black, White, Silver, Custom
LNTRAKJFP	J					
LNTRAKLFP	L					

MECHANICAL SPECS.



Low Voltage Track Adapter

L.T.F., L.L.C. PHONE: (847) 498 5832 FAX: (773) 337 5628 EMAIL: sales@ltftechnology.com

Company's Address: 11966 Oak Creek Pkwy. Unit H, Huntley IL 60142 U.S.A. www.ltftechnology.com

© L.T.F., L.L.C. All rights reserved. L.T.F. reserves the right to change specifications for product improvements without notification.