



L.T.F.

Dimmable Low Voltage LED Driver- CLASS 2

30W DS30W-3002 120-277V UniDriver Series Constant Current and Constant Voltage

UNIDRIVER



Efficiency	> 78%
Power Factor	> 0.9
Case TC	80°C Max.
Protection	Input / Output
Storage	-30°C / +80°C
Humidity	95% RH Max.
IP Rating	IP 44
Class	Class 2 Power Supply
Dimming	TRIAC, ELV, 0-10V



RoHS



* Ask for more information

FEATURES

- Universal input 120-277V AC, 0.3A, 50/60Hz
- Universal dimming: TRIAC, ELV & 0-10V
- Exceeds Title 24 requirements
- Isolated output power per NEC and UL safety requirements
- Auto-reset; short circuit, overload and thermal protection
- UL recognized / Listed, UL8750, UL1310
- Superior thermal performance
- Low profile, small form factor
- Efficient, high power factor, low THD
- Constant current or constant voltage models
- Class 2 power supply and other than Class 2 options

ELECTRICAL SPECIFICATIONS

Constant Current					
Model #	Input	Wattage	Output Voltage	Output Current	Form Factor
DS30W350C2885UD-3002	120-277V AC, 0.3A, 50/60Hz	30W	28-85V DC	350mA	PT2
DS30W400C2575UD-3002			25-75V DC	400mA	
DS30W450C2266UD-3002			22-66V DC	450mA	
DS30W700C1442UD-3002			14-42V DC	700mA	
DS30W830C1236UD-3002			12-36V DC	830mA	
DS30W1250C0824UD-3002			8-24V DC	1250mA	
DS30W1660C0618UD-3002			6-18V DC	1660mA	
DS30W2500C0412UD-3002			4-12V DC	2500mA	

Constant Voltage					
Model #	Input	Wattage	Output Voltage	Load	Form Factor
DS30W12VUD-3002	120-277V AC 0.3A, 50/60Hz	30W	12V DC	12V DC LED, 2.5A Max.	PT2
DS30W24VUD-3002			24V DC	24V DC LED, 1.25A Max.	
DS30W48VUD-3002			48V DC	48V DC LED, 0.63A Max.	

LED Driver - DS UniDriver Series - Class 2

L.T.F., L.L.C. PHONE: (847) 498-5832 FAX: (773) 337-5628 EMAIL: sales@lfttechnology.com

Company's Address: 11966 Oak Creek Pkwy. Unit H, Huntley IL 60142 U.S.A. www.lfttechnology.com

© L.T.F., L.L.C. All rights reserved. L.T.F. reserves the right to change specification for product improvements without notification



L.T.F.

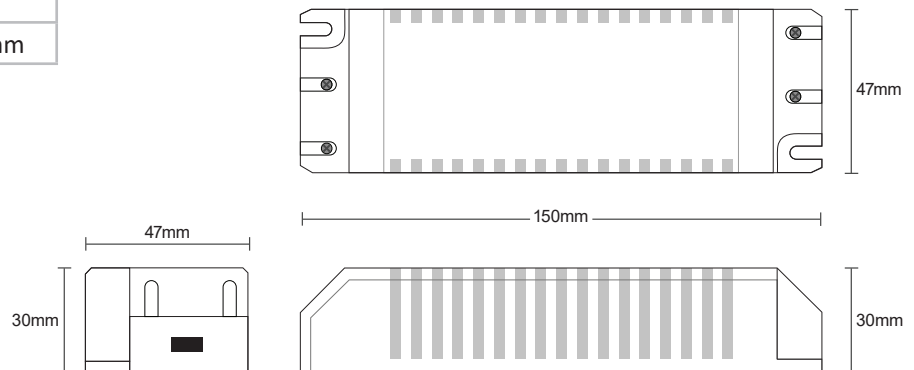
Dimmable Low Voltage LED Driver- CLASS 2

**30W DS30W-3002 120-277V UniDriver Series
Constant Current and Constant Voltage**

MECHANICAL SPECS

Form Factor	Dimensions
"PT2"	150 x 47 x 30mm

PT2

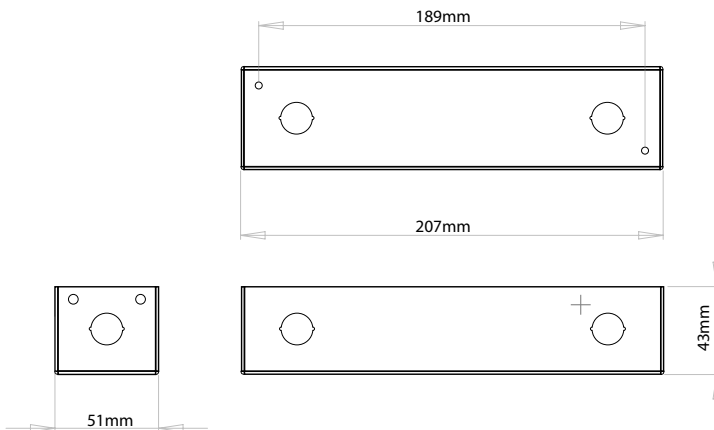


REMOTE ENCLOSURES - UL LISTED

Model	Enclosure Type	Enclosure Dimensions
DS30W-XXXX-UDRE-3002	G1 (Damp Rated)	207 x 51 x 43mm
DS30W-XXXX-UDREO-3002	G4 (Wet Rated)	238 (202) x 66 x 48mm



G1



G4

