



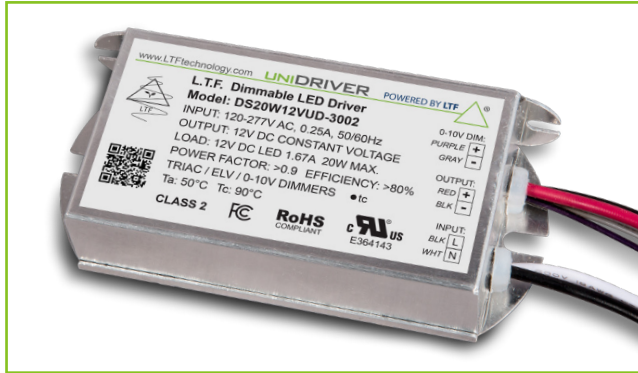
L.T.F.

Dimmable Low Voltage LED Driver- CLASS 2



20W DS20W-3002 120-277V UniDriver Series Constant Current & Constant Voltage

UNIDRIVER



Efficiency	> 77%
Power Factor	> 0.9
Case TC	90°C Max.
Protection	Input / Output
Storage	-30°C / +90°C
Humidity	95% RH Max.
IP Rating	IP 44
Class	Class 2 Power Supply
Dimming	0-10V, TRIAC, ELV



RoHS



- Universal dimming: 0-10V, TRIAC, and ELV dimmable
- Universal input voltage; 120-277V AC
- Exceeds California Title 24 requirements
- Isolated output power per NEC and UL safety requirements
- UL recognized / Listed, UL8750, UL1310
- Auto-reset; short circuit, overload and thermal protection

FEATURES

- Superior thermal performance
- Aluminum case with high W/m.K encapsulating material
- Low profile, small form factor
- Class 2 power supply and other than Class 2 options
- Efficient, high power factor, low THD
- Constant current or constant voltage models available

ELECTRICAL SPECIFICATIONS

Constant Current					
Model #	Input Voltage	Wattage	Output Voltage	Output Current	Form Factor
DS20W350C3058UD-3002	120-277V AC, 0.25A, 50/60Hz	20W	30-58V DC	350mA	SM2
DS20W440C2045UD-3002			20-45V DC	440mA	
DS20W500C2040UD-3002			20-40V DC	500mA	
DS20W600C1533UD-3002			15-33V DC	600mA	
DS20W700C1528UD-3002			15-28V DC	700mA	
DS20W750C1527UD-3002			15-27V DC	750mA	
DS20W1000C1020UD-3002			10-20V DC	1000mA	
DS20W1100C1018UD-3002			10-18V DC	1100mA	
DS20W1400C1014UD-3002			10-14V DC	1400mA	

LED Driver - DS UniDriver Series - Class 2



L.T.F.

Dimmable Low Voltage LED Driver- CLASS 2

**20W DS20W-3002 120-277V UniDriver Series
Constant Current & Constant Voltage**

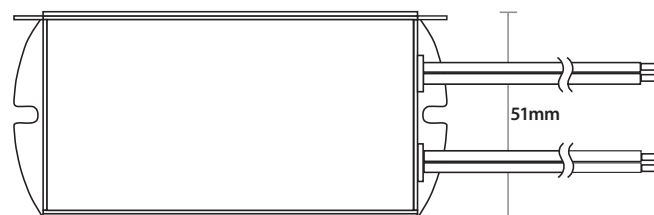
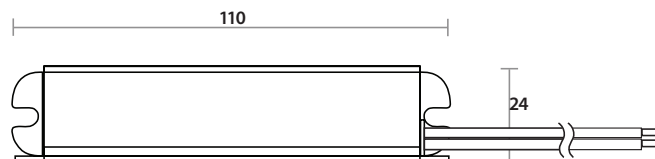
ELECTRICAL SPECIFICATIONS

Constant Voltage					
Model #	Input Voltage	Wattage	Output Voltage	Load	Form Factor
DS20W12VUD-3002	120-277V AC, 0.25A, 50/60Hz	20W	12V DC	12V DC LED, 1.7A Max.	SM2
DS20W24VUD-3002			24V DC	24V DC LED, 0.83A Max.	
DS20W36VUD-3002			36V DC	36V DC LED, 0.56A Max.	
DS20W48VUD-3002			48V DC	48V DC LED, 0.42A Max.	

MECHANICAL SPECS

Form Factor	Dimensions
"SM2"	110 x 51 x 24mm mm

SM2



LED Driver - DS UniDriver Series - Class 2



L.T.F.

Dimmable Low Voltage LED Driver- CLASS 2

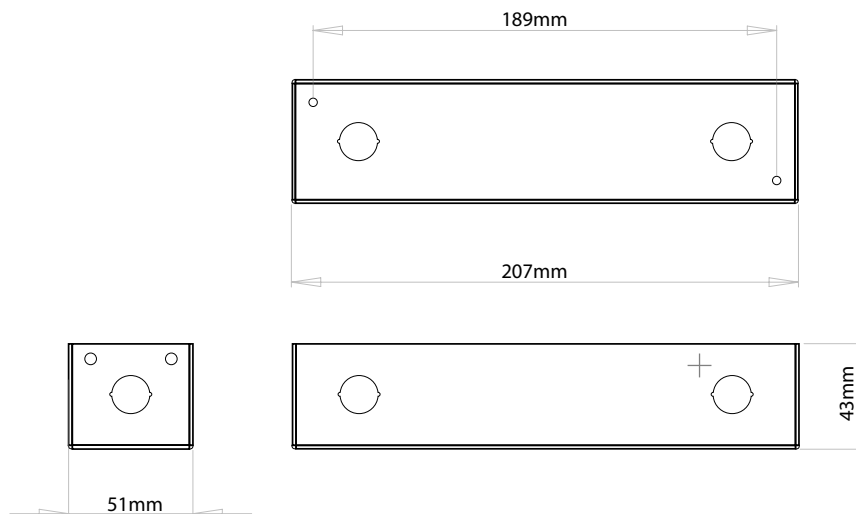
**20W DS20W-3002 120-277V UniDriver Series
Constant Current & Constant Voltage**

REMOTE ENCLOSURES - UL LISTED

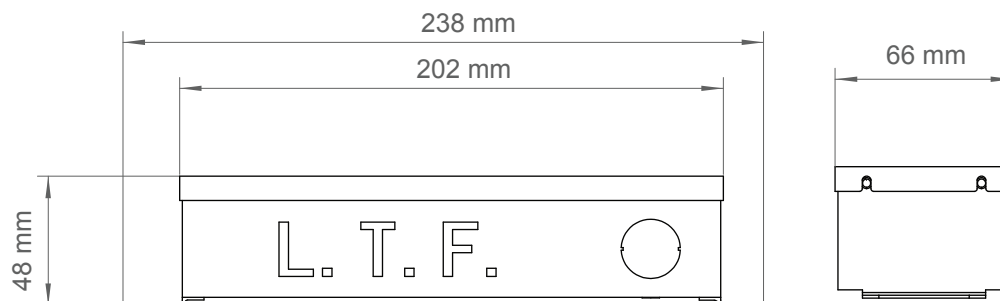
Model	Enclosure Type	Enclosure Dimensions
DS20W-XXXX-UDRE-3002	G1 (Damp Rated)	207 x 51 x 43mm
DS20W-XXXX-UDREO-3002	G4 (Wet Rated)	238 (202) x 66 x 48mm



G1 INDOOR REMOTE ENCLOSURE



G4 OUTDOOR REMOTE ENCLOSURE



LED Driver - DS UniDriver Series - Class 2