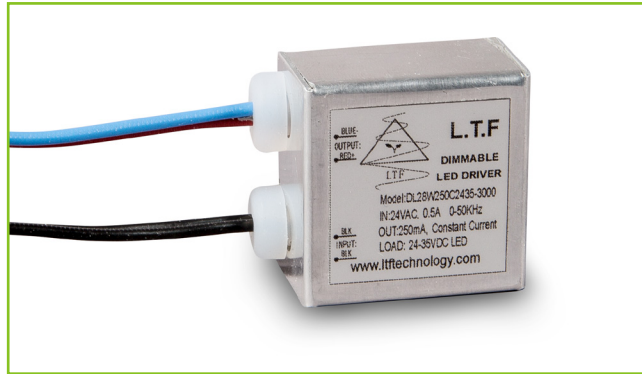




**L.T.F.**

## Low Voltage Dimmable LED Driver

**DL Series 6W, 8W, 12W Constant Current  
12V & 24V AC / DC Input Voltage**



Efficiency	> 80%
Power Factor	> 0.9
Case TC	90C° Max.
Protection	Input / Output
Storage	-30°C / +90°C
Humidity	95% RH Max.
IP Rating	IP 44
Class	Class 2 Power Supply
Dimming	ELV, Magnetic ELV



**RoHS**



\* Ask for more information

### FEATURES

- Rated for 12V & 24V magnetic & electronic transformers
- Fully dimmable with ELV & magnetic LV type dimmers
- Flicker free dimming
- California Title 24 compliant
- Excellent choice to integrate in low voltage LED fixtures
- 150-900mA constant current options
- Aluminum casing for optimal heat dissipation
- Isolated output power per NEC and UL safety requirements
- UL & ETL recognized/ listed, meets UL 8750, 1310 requirements
- Auto-reset; short circuit, overload and thermal protection
- Low profile, small form factor, junction box mountable
- Class 2 power supply
- Efficient, high power factor > 0.9

### ELECTRICAL SPECIFICATIONS

6 Watts, 12V Input				
Model #	Input Voltage	Wattage	Output Current	Load
DL16W150C2940-3001	12V AC / DC, 0.6A, 0-50KHz	6W	150mA	29 - 40V DC LED
DL16W200C1930-3001			200mA	19 - 30V DC LED
DL16W250C1324-3001			250mA	13 - 24V DC LED
DL16W300C0920-3001			300mA	9 - 20V DC LED
DL16W350C0718-3001			350mA	7 - 18V DC LED
DL16W400C0415-3001			400mA	4 - 15V DC LED
DL16W450C0314-3001			450mA	3 - 14V DC LED

\*\*UL Listed Models Include External Remote Mount Case



**L.T.F.**

## Low Voltage Dimmable LED Driver

**DL Series 6W, 8W, 12W Constant Current  
12V & 24V AC / DC Input Voltage**

<b>6 Watts, 24V Input</b>				
<b>Model #</b>	<b>Input Voltage</b>	<b>Wattage</b>	<b>Output Current</b>	<b>Load</b>
DL26W150C2940-3001	24V AC / DC, 0.3A, 0-50KHz	6W	150mA	29 - 40V DC LED
DL26W200C1930-3001			200mA	19 - 30V DC LED
DL26W250C1324-3001			250mA	13 - 24V DC LED
DL26W300C0920-3001			300mA	9 - 20V DC LED
DL26W350C0718-3001			350mA	7 - 18V DC LED
DL26W400C0415-3001			400mA	4 - 15V DC LED
DL26W450C0314-3001			450mA	3 - 14V DC LED

<b>8 Watts, 12V Input</b>				
<b>Model #</b>	<b>Input Voltage</b>	<b>Wattage</b>	<b>Output Current</b>	<b>Load</b>
DL18W200C2940-3001	12V AC / DC, 1A, 0-50KHz	8W	200mA	29 - 40V DC LED
DL18W250C2435-3001			250mA	24 - 35V DC LED
DL18W300C1626-3001			300mA	16 - 26V DC LED
DL18W350C1223-3001			350mA	12 - 23V DC LED
DL18W400C0920-3001			400mA	9 - 20V DC LED
DL18W450C0717-3001			450mA	7 - 17V DC LED
DL18W500C0516-3001			500mA	5 - 16V DC LED
DL18W600C0314-3001			600mA	3 - 14V DC LED

<b>8 Watts, 24V Input</b>				
<b>Model #</b>	<b>Input Voltage</b>	<b>Wattage</b>	<b>Output Current</b>	<b>Load</b>
DL28W200C2940-3001	24V AC / DC, 0.5A, 0-50KHz	8W	200mA	29 - 40V DC LED
DL28W250C2435-3001			250mA	24 - 35V DC LED
DL28W300C1626-3001			300mA	16 - 26V DC LED
DL28W350C1223-3001			350mA	12 - 23V DC LED
DL28W400C0920-3001			400mA	9 - 20V DC LED
DL28W450C0717-3001			450mA	7 - 17V DC LED
DL28W500C0516-3001			500mA	5 - 16V DC LED
DL28W600C0314-3001			600mA	3 - 14V DC LED

\*\*UL Listed Models Include External Remote Mount Case



**L.T.F.**

## Low Voltage Dimmable LED Driver

**DL Series 6W, 8W, 12W Constant Current  
12V & 24V AC / DC Input Voltage**

12 Watts, 12V Input				
Model #	Input Voltage	Wattage	Output Current	Load
DL112W200C4960-3001	12V AC / DC, 1.4A, 0-50KHz	12W	200mA	49 - 60V DC LED
DL112W250C3748-3001			250mA	37 - 48V DC LED
DL112W300C2940-3001			300mA	40 - 29V DC LED
DL112W350C2435-3001			350mA	24 - 35V DC LED
DL112W400C1930-3001			400mA	19 - 30V DC LED
DL112W450C1627-3001			450mA	16 - 27V DC LED
DL112W500C1324-3001			500mA	13 - 24V DC LED
DL112W600C0920-3001			600mA	9 - 20V DC LED
DL112W700C0718-3001			700mA	7 - 18V DC LED
DL112W800C0415-3001			800mA	4 - 15V DC LED
DL112W900C0314-3001			900mA	3 - 14V DC LED

12 Watts, 24V Input				
Model #	Input Voltage	Wattage	Output Current	Load
DL212W200C4960-3001	24V AC / DC, 0.7A, 0-50KHz	12W	200mA	49 - 60V DC LED
DL212W250C3748-3001			250mA	37 - 48V DC LED
DL212W300C2940-3001			300mA	40 - 29V DC LED
DL212W350C2435-3001			350mA	24 - 35V DC LED
DL212W400C1930-3001			400mA	19 - 30V DC LED
DL212W450C1627-3001			450mA	16 - 27V DC LED
DL212W500C1324-3001			500mA	13 - 24V DC LED
DL212W600C0920-3001			600mA	9 - 20V DC LED
DL212W700C0718-3001			700mA	7 - 18V DC LED
DL212W800C0415-3001			800mA	4 - 15V DC LED
DL212W900C0314-3001			900mA	3 - 14V DC LED

\*\*UL Listed Models Include External Remote Mount Case



**L.T.F.**

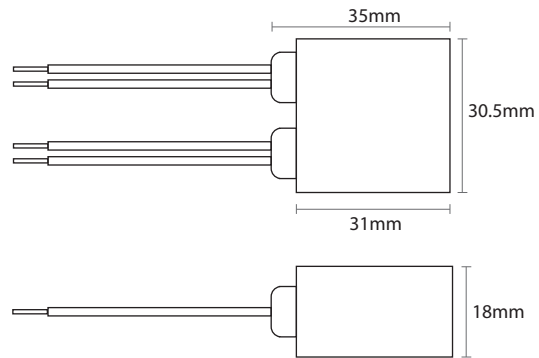
## Low Voltage Dimmable LED Driver

**DL Series 6W, 8W, 12W Constant Current  
12V & 24V AC / DC Input Voltage**

### MECHANICAL SPECS

Available Form Factors	Dimensions
"A10"	35 (31) x 30.5 x 18mm

### A10

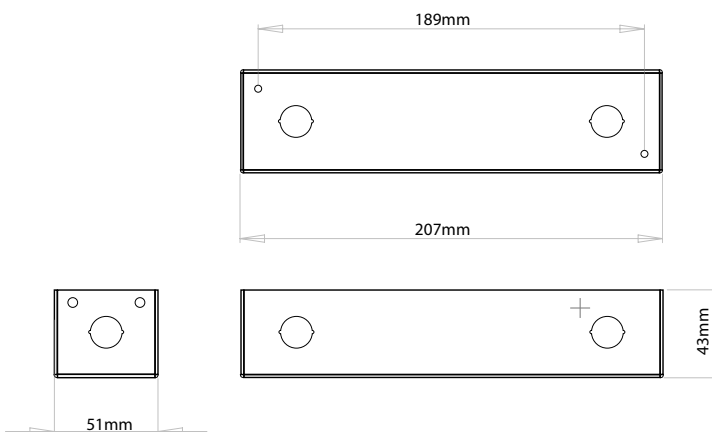


### REMOTE ENCLOSURES - UL LISTED

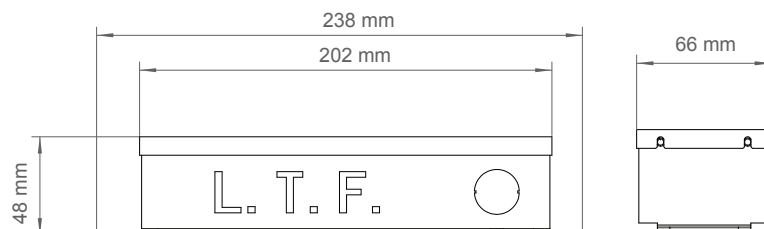
Model	Enclosure Type	Enclosure Dimensions
DL6W-XXXX-RE-3001	G1 (Damp Rated)	207 x 51 x 43mm
DL6W-XXXX-REO-3001	G4 (Wet Rated)	238 (202) x 66 x 48mm



### G1



### G4



Low Voltage Dimmable LED Driver