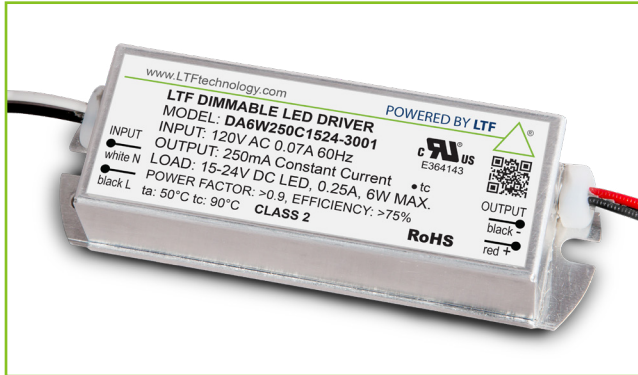




# L.T.F. Dimmable Low Voltage LED Driver

## 6W DA6W-3001 120V Series Constant Current & Constant Voltage



Efficiency	> 80%
Power Factor	> 0.9
Case TC	90°C Max.
Protection	Input / Output
Storage	-25°C / +80°C
Humidity	90% RH Max.
IP Rating	IP44
Class	Class 2 Power Supply
Dimming	Triac, ELV



RoHS



FCC Part 15  
Class B compliant



\*Ask for more  
information

### FEATURES

- California Title 24 compliant
- Isolated output power per NEC and UL safety requirements
- UL and ETL recognized/ Listed, UL 8750
- Auto-reset; short circuit, overload and thermal protection
- Dimmable with ELV and Triac type dimmers
- Aluminum casing for optimal heat dissipation
- Low profile, small form factor
- Flicker free dimming and excellent dimming range
- Class 2 and other than Class 2 power supply
- Efficient, high power factor, low THD, FCC compliant
- Constant current or constant voltage models available

### ELECTRICAL SPECIFICATIONS

Constant Current					
Model #	Input Voltage	Wattage	Output Voltage	Output Current	Case Form Factor
DA6W200C2130-3001	120V AC, 0.07A 60Hz	6W	21-30V DC	200mA	T11
DA6W250C1524-3001			15-24V DC	250mA	
DA6W300C1120-3001			11-20V DC	300mA	
DA6W350C0817-3001			8-17V DC	350mA	
DA6W400C0615-3001			6-15V DC	400mA	
DA6W450C0413-3001			4-13V DC	450mA	
DA6W500C0312-3001			3-12V DC	500mA	

Constant Voltage					
Model #	Input Voltage	Wattage	Output Voltage	Load	Case Form Factor
DA6W12V-3001	120V AC, 0.07A 60Hz	6W	12V DC	12V DC LED, 0.5A max.	T11
DA6W24V-3001			24V DC	24V DC LED, 0.25A max.	
DA6W48V-3001			48V DC	48V DC LED, 0.125A max.	

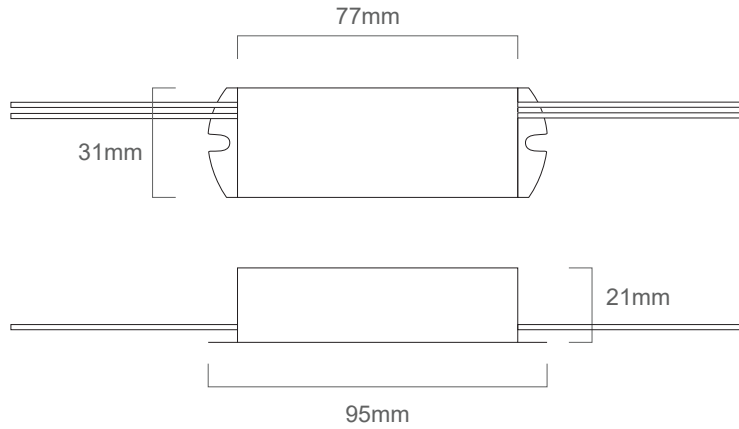
Dimmable Low Voltage LED Driver - DA6W-3001



**MECHANICAL SPECS**

**T11**

Available Form Factor	
"T11"	95 x 31 x 21mm

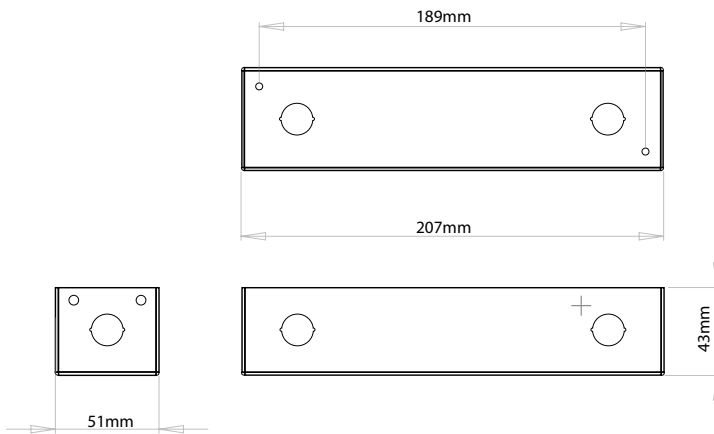


**REMOTE ENCLOSURES - UL LISTED**

Model	Enclosure Type	Enclosure Dimensions
DA6W-XXXX-RE-3001	G1 (Damp Rated)	207 x 51 x 43mm
DA6W-XXXX-REO-3001	G4 (Wet Rated)	238 (202) x 66 x 48mm



**G1 INDOOR REMOTE ENCLOSURE**



**G4 OUTDOOR REMOTE ENCLOSURE**

