



L.T.F.

Dimmable Low Voltage LED Driver - CLASS 2



30W DA30W-3001 120V Series Constant Current and Constant Voltage



Efficiency	> 78%
Power Factor	> 0.9
Case TC	80°C Max.
Protection	Input / Output
Storage	-30°C / +80°C
Humidity	95% RH Max.
IP Rating	IP 44
Class	Class 2 Power Supply
Dimming	TRIAC, ELV



RoHS



- TRIAC and ELV dimmable
- Exceeds Title 24 requirements
- Isolated output power per NEC and UL safety requirements
- Auto-reset; short circuit, overload and thermal protection
- UL recognized / Listed, UL8750, UL1310

- Superior thermal performance
- Low profile, small form factor
- Efficient, high power factor, low THD
- Constant current or constant voltage models
- Class 2 power supply and other than Class 2 options

FEATURES

ELECTRICAL SPECIFICATIONS

Constant Current					
Model #	Input	Wattage	Output Voltage	Output Current	Form Factor
DA30W350C2885-3001	120V AC, 0.3A, 50/60Hz	30W	28-85V DC	350mA	PT2
DA30W400C2575-3001			25-75V DC	400mA	
DA30W450C2266-3001			22-66V DC	450mA	
DA30W700C1442-3001			14-42V DC	700mA	
DA30W830C1236-3001			12-36V DC	830mA	
DA30W1250C0824-3001			8-24V DC	1250mA	
DA30W1660C0618-3001			6-18V DC	1660mA	
DA30W2500C0412-3001			4-12V DC	2500mA	

Constant Voltage					
Model #	Input	Wattage	Output Voltage	Load	Form Factor
DA30W12V-3001	120V AC, 0.3A, 50/60Hz	30W	12V DC	12V DC LED, 2.5A Max.	PT2
DA30W24V-3001			24V DC	24V DC LED, 1.25A Max.	
DA30W48V-3001			48V DC	48V DC LED, 0.63A Max.	

LED Driver - DA Series - Class 2



L.T.F.

Dimmable Low Voltage LED Driver - CLASS 2

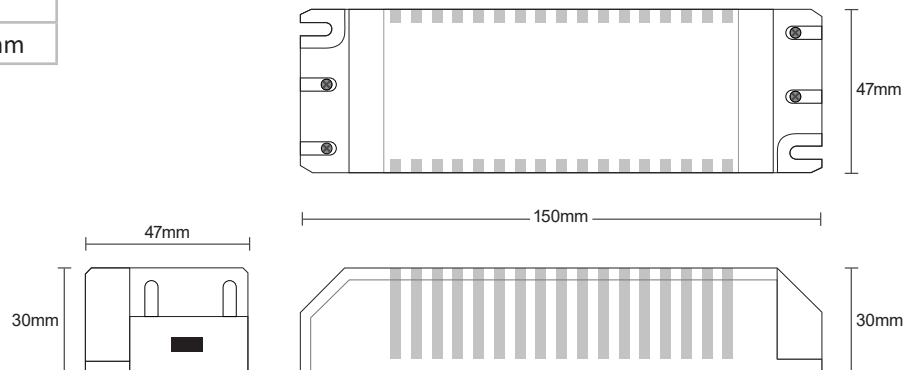


**30W DA30W-3001 120V Series
Constant Current and Constant Voltage**

MECHANICAL SPECS

Form Factor	Dimensions
"PT2"	150 x 47 x 30mm

PT2

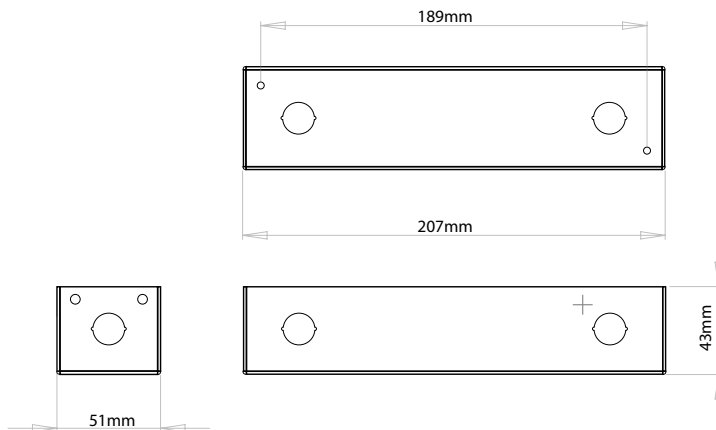


REMOTE ENCLOSURES - UL LISTED

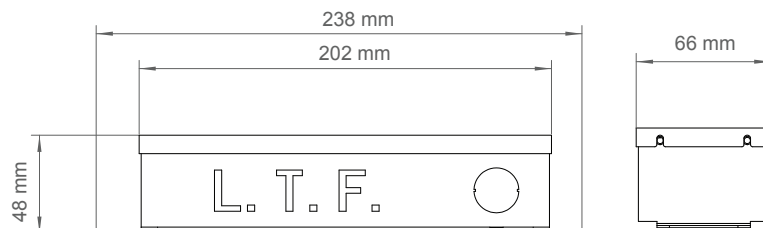
Model	Enclosure Type	Enclosure Dimensions
DA30W-XXXX-RE-3001	G1 (Damp Rated)	207 x 51 x 43mm
DA30W-XXXX-REO-3001	G4 (Wet Rated)	238 (202) x 66 x 48mm



G1



G4



LED Driver - DA Series - Class 2