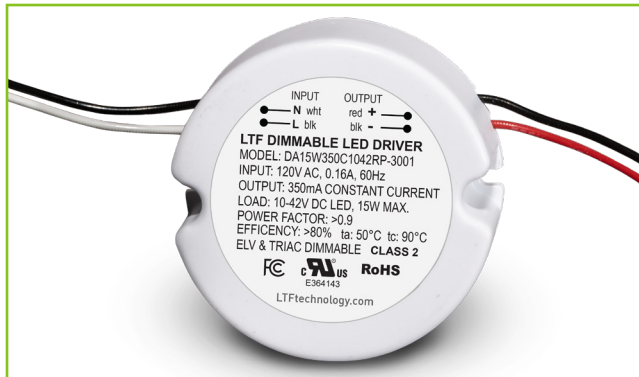




L.T.F.

Dimmable Low Voltage LED Driver

15W DA15W-3001 120V Series Constant Current & Constant Voltage



| | |
|--------------|----------------------|
| Efficiency | > 80% |
| Power Factor | > 0.9 |
| Case TC | 90°C Max. |
| Protection | Input / Output |
| Storage | -25°C / +80°C |
| Humidity | 90% RH Max. |
| IP Rating | IP44 |
| Class | Class 2 Power Supply |
| Dimming | Triac, ELV |



FCC Part 15
Class B compliant



*Ask for more
information

FEATURES

- California Title 24 compliant
- Isolated output power per NEC and UL safety requirements
- UL and ETL recognized/ Listed, UL 8750
- Auto-reset; short circuit, overload and thermal protection
- Dimmable with ELV and Triac type dimmers
- Low profile, small form factor
- Flicker free dimming and excellent dimming range
- Class 2 and other than Class 2 power supply
- Efficient, high power factor, low THD, FCC compliant
- Constant current or constant voltage models available

ELECTRICAL SPECIFICATIONS

| Constant Current | | | | | |
|----------------------|------------------------|---------|----------------|----------------|------------------|
| Model # | Input Voltage | Wattage | Output Voltage | Output Current | Case Form Factor |
| DA15W200C3775RP-3001 | 120V AC, 0.16A 60Hz | 15W | 37-75V DC | 200mA | RP |
| DA15W250C2460RP-3001 | | | 24-60V DC | 250mA | |
| DA15W300C1650RP-3001 | | | 16-50V DC | 300mA | |
| DA15W350C1042RP-3001 | | | 10-42V DC | 350mA | |
| DA15W400C0737RP-3001 | | | 7-37V DC | 400mA | |
| DA15W450C0533RP-3001 | | | 5-33V DC | 450mA | |
| DA15W500C0430RP-3001 | | | 4-30V DC | 500mA | |

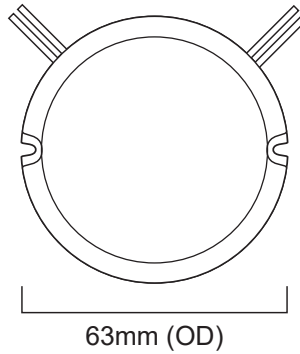
| Constant Voltage | | | | | |
|------------------|------------------------|---------|----------------|-------------------------|------------------|
| Model # | Input Voltage | Wattage | Output Voltage | Load | Case Form Factor |
| DA15W12VRP-3001 | 120V AC, 0.16A 60Hz | 15W | 12V DC | 12V DC LED, 1.25A max. | RP |
| DA15W24VRP-3001 | | | 24V DC | 24V DC LED, 0.625A max. | |
| DA15W48VRP-3001 | | | 48V DC | 48V DC LED, 0.313A max. | |

Dimmable Low Voltage LED Driver - DA15W-3001

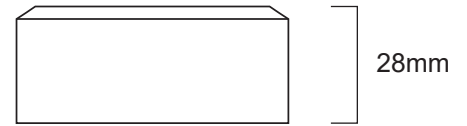


MECHANICAL SPECS

| Available Form Factor | |
|-----------------------|------------------|
| "RP" | 63mm (OD) x 28mm |



RP

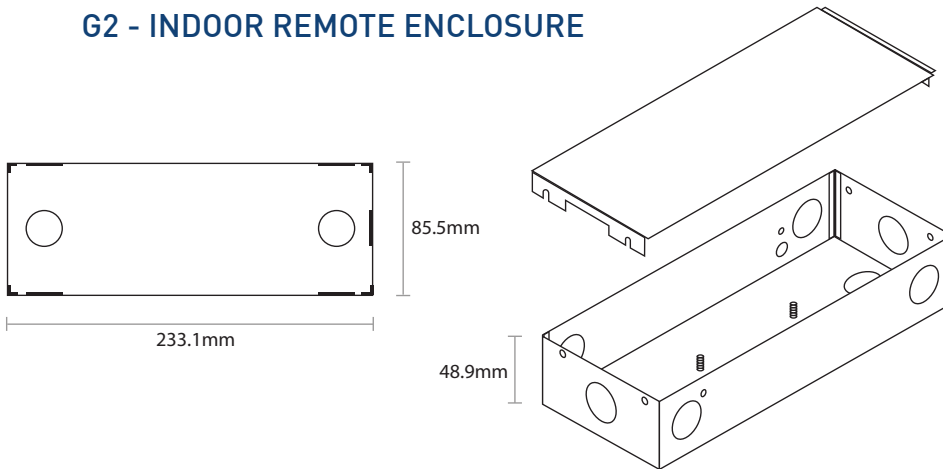


REMOTE ENCLOSURES - UL LISTED

| Model | Enclosure Type | Enclosure Dimensions |
|---------------------|-----------------|------------------------|
| DA15W-XXXX-RE-3001 | G2 (Damp Rated) | 233 x 85.5 x 49mm |
| DA15W-XXXX-REO-3001 | G3 (Wet Rated) | 280 (242) x 103 x 56mm |



G2 - INDOOR REMOTE ENCLOSURE



G3 - OUTDOOR REMOTE ENCLOSURE

