

TA, TE, TU 15WA12 SERIES Electronic Transformers



Efficiency	>85
Power Factor	>98
Case TC	90°C
Protection	Input / Output
Storage	-30°C / +90°C
Humidity	95% RH Max.
IP Rating	IP60
Class	Class 2
Dimming	ELV



FEATURES

- No load technology, works with both Halogen and LED AC loads**
- Isolated output power per NEC and UL safety requirements
- Auto-reset; Short circuit, overload and thermal protection
- Soft start
- ELV dimmable
- Low profile, small compact design to fit in most enclosures

MODEL SPECIFICATIONS

120V						
Model #	Input Voltage	Input Current	Output Voltage	Weight	Load Type	Form Factor
TA15WA12LED	120V AC 50/60Hz	0.13A	12V AC	80g	AC LED Bulbs, Incandescent & Halogen Bulbs	B2
TA15WA12LED65B15	120V AC 50/60Hz	0.13A	12V AC	80g	AC LED Bulbs, Incandescent & Halogen Bulbs	B7,C
TA15WD12LEDB15	120V AC 50/60Hz	0.13A	12V DC	80g	LED Strips, LED Bulbs, Incandescent & Halogen Bulbs	E
TA15WA12LEDB15D010	120V AC 50/60Hz	0.13A	12V AC	80g	AC LED Bulbs, Incandescent & Halogen bulbs	MB2
TA15WD12LEDB15D010	120V AC 50/60Hz	0.13A	12V DC	80g	LED Strips, LED Bulbs, Incandescent & Halogen Bulbs	E

120V Remote

Model #	Input Voltage	Input Current	Output Voltage	Weight	Load Type	Form Factor
TA15WA12LED65B15RE	120V AC 50/60Hz	013A	12V AC	401.5g	AC LED Bulbs, Incandescent & Halogen Bulbs	G1
TA15WA12LED65B15REO	120V AC 50/60Hz	0.13A	12V AC	524g	AC LED Bulbs, Incandescent & Halogen bulbs	G4
TA15WD12LEDB15RE	120V AC 50/60Hz	0.13A	12V DC	401.5g	LED Strips, LED Bulbs, Incandescent & Halogen Bulbs	G1
TA15WD12LEDB15REO	120V AC 50/60Hz	0.13A	12V DC	524g	LED Strips, LED Bulbs, Incandescent & Halogen Bulbs	G4
TA15WA12LED65B15D010RE	120V AC 50/60Hz	0.13A	12V AC	401.5g	AC LED Bulbs, Incandescent & Halogen Bulbs	G1
TA15WA12LED65B15D010REO	120V AC 50/60Hz	0.13A	12V AC	524g	AC LED Bulbs, Incandescent & Halogen Bulbs	G4
TA15WD12LEDB15D010RE	120V AC 50/60Hz	0.13A	12V DC	401.5g	LED Strips, LED Bulbs, Incandescent & Halogen Bulbs	G1
TA15WD12LEDB15D010REO	120V AC 50/60Hz	0.13A	12V DC	524g	LED Strips, LED Bulbs, Incandescent & Halogen Bulbs	G4

220V - 240V

Model #	Input Voltage	Input Current	Output Voltage	Weight	Load Type	Form Factor
TU15WA12LED	220 - 240V AC 50/60Hz	0.07A	12V AC	80g	AC LED Bulbs, Incandescent & Halogen Bulbs	E
TU15WA12LED65B15	220-240V AC 50/60Hz	0.07A	12V AC	80g	AC LED Bulbs, Incandescent & Halogen Bulbs	E

277V

Model #	Input Voltage	Input Current	Output Voltage	Weight	Load Type	Form Factor
TE15WA12LED65B15	277V AC 50/60Hz	0.2A	12V AC	137.5g	AC LED Bulbs, Incandescent & Halogen Bulbs	B7,C
TE15WD12LEDB15	277V AC 50/60Hz	0.2A	12V DC	137.5g	LED Strips, LED Bulbs, Incandescent & Halogen Bulbs	E
TE15WA12LED65B15D010	277V AC 50/60Hz	0.2A	12V AC	137.5g	AC LED Bulbs, Incandescent & Halogen bulbs	MB2
TE15WD12LEDB15D010	277V AC 50/60Hz	0.2A	12V DC	137.5g	LED Strips, LED Bulbs, Incandescent & Halogen Bulbs	E

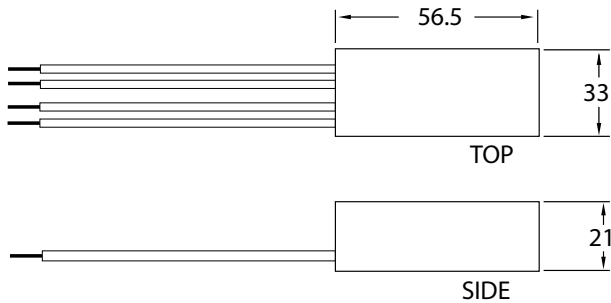
277V Remote

Model #	Input Voltage	Input Current	Output Voltage	Weight	Load Type	Form Factor
TE15WA12LED65B15RE	277V AC 50/60Hz	0.5A	12V AC	401.5g	AC LED Bulbs, Incandescent & Halogen Bulbs	G1
TE15WD12LEDB15RE	277V AC 50/60Hz	0.5A	12V DC	401.5g	LED Strips, Incandescent & Halogen Bulbs	G1
TE15WA12LED65B15REO	277V AC 50/60Hz	0.5A	12V AC	524g	AC LED Bulbs, Incandescent & Halogen Bulbs	G4
TE15WD12LED65B15REO	277V AC 50/60Hz	0.5A	12V DC	524g	LED Strips, Incandescent & Halogen Bulbs	G4

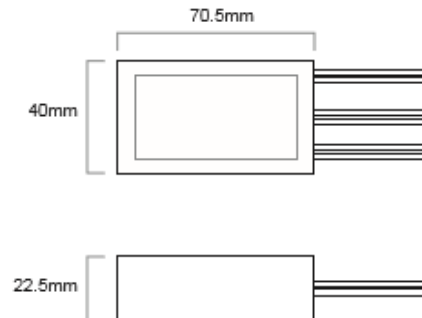
MECHANICAL SPECS

Form Factors	Dimensions
B2	56.5 x 33 x 21mm
B7	70.5x40x22.5mm
C	77.4x25x38mm
E	110x45x24mm
MB2	80x40x22mm

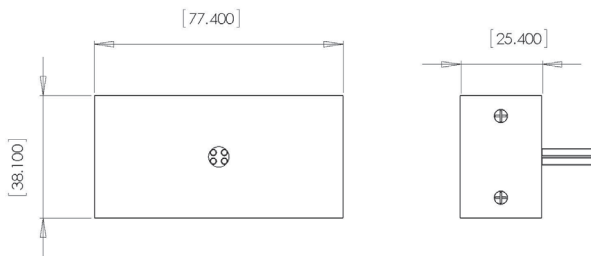
B2



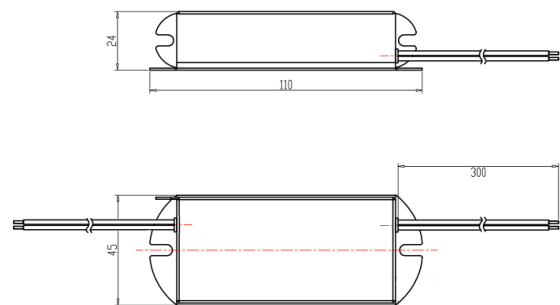
B7



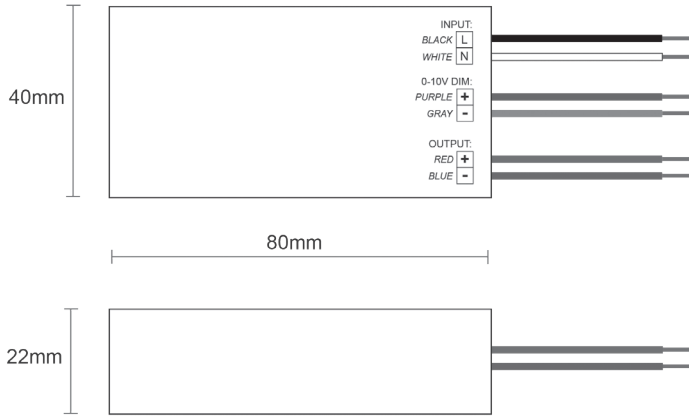
C



E



MB2



REMOTE ENCLOSURES

FORM FACTOR	Dimensions
G1 Remote Indoor (Damp Rated)	207 x 51 x 43mm
G4 Remote Outdoor (Wet Rated)	238 (202) x 66 x 48mm

G1

G4

