



**L.T.F.**

## Dimmable Low Voltage LED Driver- CLASS 2



### 60W DS60W-3002 120-277V UniDriver Series Constant Current & Constant Voltage

## UNIDRIVER



Efficiency	higher than 83%
Power Factor	>95%
Case TC	90°C Max.
Protection	Input / Output
Storage	-30°C / +90°C
Humidity	95% RH Max.
IP Rating	IP 44
Class	Class 2 Power Supply
Dimming	0-10V, TRIAC, ELV



**RoHS**



FCC Part 15  
Class B compliant



\*Ask for more information

- Universal dimmable; 0-10V, TRIAC, and ELV dimming
- Universal input voltage: 120-277V AC
- Exceeds Title 24 requirements
- Isolated output power per NEC and UL safety requirements
- UL recognized / Listed, UL8750, UL1310
- Auto-reset; short circuit, overload and thermal protection

### FEATURES

- Superior thermal performance
- Aluminum case with high W/m.K encapsulating material
- Class 2 power supply and other than Class 2 options
- Efficient, high power factor, low THD.
- Constant current and constant voltage models available

### ELECTRICAL SPECIFICATIONS

Constant Current					
Model #	Input	Wattage	Output Voltage	Output Current	Available Form Factors
DS60W700CUD-3002	120-277V AC 0.62A 50/60Hz	60 Watts	71-86V DC	700mA	F5, R
DS60W900CUD-3002			52-67V DC	900mA	
DS60W1100CUD-3002			40-55V DC	1100mA	
DS60W1400CUD-3002			28-43V DC	1400mA	
DS60W1800CUD-3002			18-33V DC	1800mA	
DS60W2100CUD-3002			14-29V DC	2100mA	
DS60W2400CUD-3002			10-25V DC	2400mA	

Constant Voltage					
Model #	Input	Wattage	Output Voltage	Output Current	Available Form Factors
DS60W12VUD-3002	120-277V AC 0.62A 50/60Hz	60 Watts	12V DC	5000mA	F5, R
DS60W24VUD-3002			24V DC	2500mA	
DS60W48VUD-3002			48V DC	1250mA	

LED Driver - DS UniDriver Series - Class 2

L.T.F., L.L.C. PHONE: (847) 498-5832 FAX: (773) 337-5628 EMAIL: sales@lfttechnology.com

Company's Address: 11966 H Oak Creek Pkwy. Huntley IL 60142 U.S.A. [www.lfttechnology.com](http://www.lfttechnology.com)

© L.T.F., L.L.C. All rights reserved. L.T.F. reserves the right to change specification for product improvements without notification



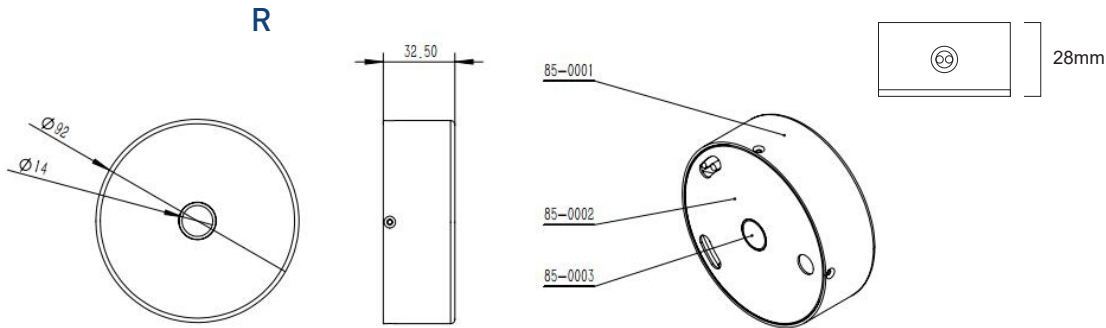
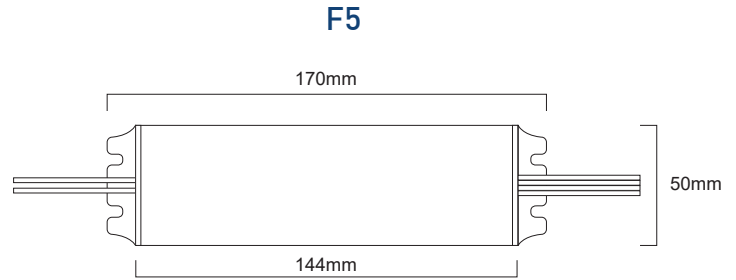
**L.T.F.**

# Dimmable Low Voltage LED Driver- CLASS 2

**60W DS60W-3002 120-277V UniDriver Series  
Constant Current & Constant Voltage**

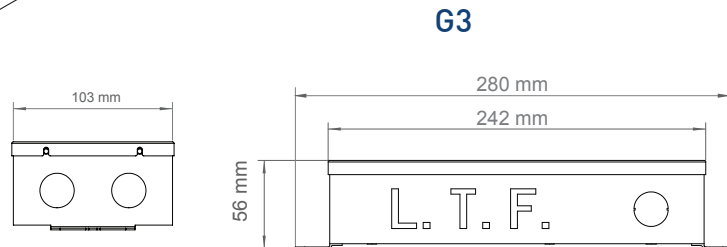
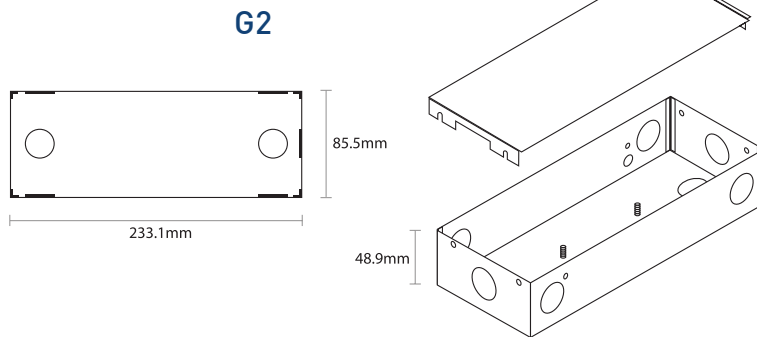
## MECHANICAL SPECS

Available Form Factors	Dimensions
"F5"	170(144)x50x28mm
"R"	92 (OD) x 32.5mm



## REMOTE ENCLOSURES - UL LISTED

Model	Enclosure Type	Enclosure Dimensions
DS60WUDRE-3002	G2 (Damp Rated)	233.1 x 85.5 x 48.9mm
DS60WUDREO-3002	G3 (Wet Rated)	280 x 103 x 56mm



LED Driver - DS UniDriver Series - Class 2