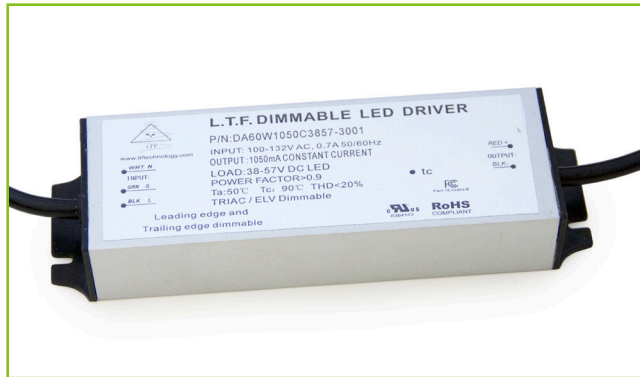




L.T.F. Dimmable Low Voltage LED Driver

California Title 24 Compliant LED Driver DA50W700C5070-3001



Efficiency	higher than 80%
Power Factor	>95%
Case TC	90°C Max.
Protection	Input / Output
Storage	-25°C / +80°C
Humidity	90% RH Max.
IP Rating	IP44
Class	Other than Class 2
Dimming	Triac, ELV



RoHS



FCC Part 15
Class B compliant



YEAR WARRANTY

*Ask for more
information

FEATURES

- California Title 24 compliant
- Isolated output power per NEC and UL safety requirements
- UL and ETL recognized/ Listed, UL 8750
- Auto-reset ; short circuit, overload and thermal protection
- Dimmable with ELV and Triac dimming type dimmers
- Aluminum casing for optimal heat dissipation
- Low profile, small form factor
- Flicker free dimming and excellent dimming range
- Class 2 and other than Class 2 power supply
- Efficient, high power factor, low THD, FCC compliant

ELECTRICAL SPECIFICATIONS

Constant Current					
Model #	Input Voltage	Input Current	Output Voltage	Output Current	Case Form Factor
DA50W700C	120V AC 50/60Hz	0.42A	50-70V DC	700mA	F5
DA50W780C	120V AC 50/60Hz	0.42A	45-64V DC	780mA	F5
DA50W850C	120V AC 50/60Hz	0.42A	40-59V DC	850mA	F5
DA50W950C	120V AC 50/60Hz	0.42A	34-53V DC	950mA	F5
DA50W1050C	120V AC 50/60Hz	0.42A	29-18V DC	1050mA	F5
DA50W1100C	120V AC 50/60Hz	0.42A	26-45V DC	1100mA	F5
DA50W1200C	120V AC 50/60Hz	0.42A	23-42V DC	1200mA	F5
DA50W1400C	120V AC 50/60Hz	0.42A	17-36V DC	1400mA	F5

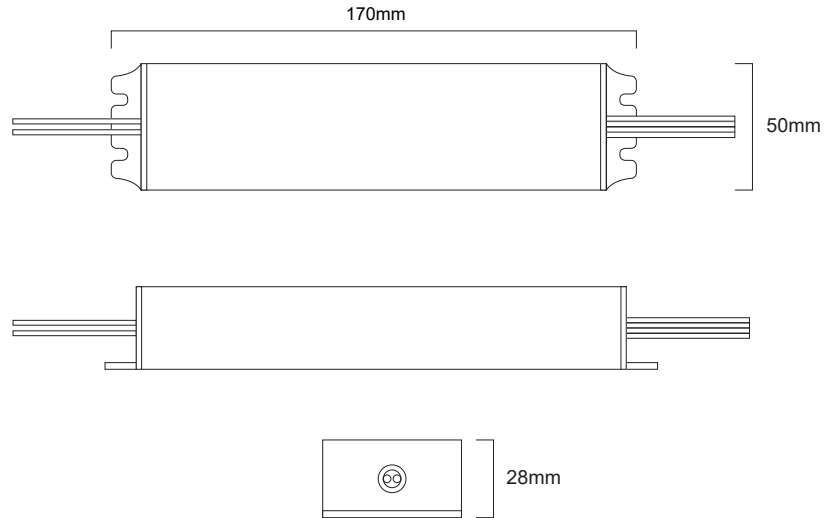
Dimmable Low Voltage LED Driver - DA50W-3001



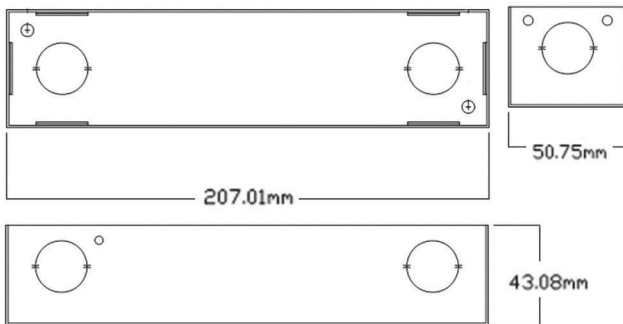
MECHANICAL SPECS

Available Form Factor	
"F5"	170x50x28mm
"G1"	207x50.8x43mm
"G4"	238x66x48mm

F5



G1 - INDOOR REMOTE ENCLOSURE



G4 - OUTDOOR REMOTE ENCLOSURE

