



L.T.F Low Voltage Electronic Power Supply

80W 12V AC

TA80WA12 Series and TU80WA12 Series



Efficiency	higher than 85%
Power Factor	>98%
Case TC*	90C° Max
Protection	Input/ Output
Storage	-30°C/ +90C°
Humidity	95% RH max
IP Rating	IP 60
Standard Dimming	ELV Dimmable
Special Dimming	Dimming Loop (DL)



RoHS



FEATURES

- No load technology, works with both Halogen & LED AC loads **
- Isolated output power per NEC and UL safety requirements
- UL recognized/listed Class 2 power supply, meet UL 2108 requirements
- Auto-reset; Short circuit, Overload and Thermal protection
- Soft start
- Dimmable
- Low profile, small compact design to fit in most enclosures

ELECTRICAL SPECIFICATIONS

120V					
Model #	Input Voltage	Input Current	Output Voltage	Weight	Load Type
TA80WA12	120V AC 50/60Hz	0.67 A	12V AC	100g	Incandescent & Halogen Bulbs

120V Remote					
Model #	Input Voltage	Input Current	Output Voltage	Weight	Load Type
TA80WA12RE	120V AC 50/60Hz	0.67 A	12V AC	573g	Incandescent & Halogen Bulbs
TA80WA12REO	120V AC 50/60Hz	0.67 A	12V AC	897g	Incandescent & Halogen Bulbs

220-240V					
Model #	Input Voltage	Input Current	Output Voltage	Weight	Load Type
TU80WA12	220-240V AC 50/60Hz	0.36 A	12V AC	100g	Incandescent & Halogen Bulbs

* Under confirmed thermal condition

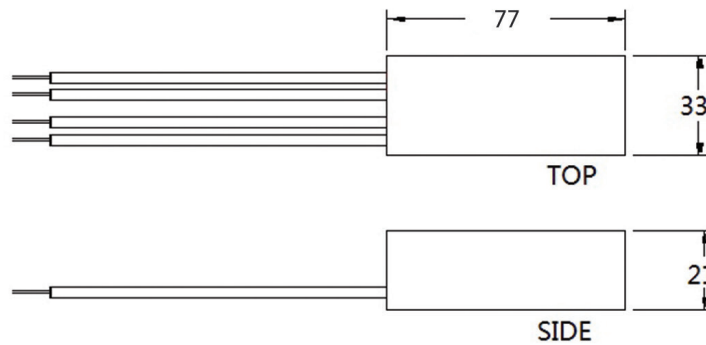


220-240V Remote					
Model #	Input Voltage	Input Current	Output Voltage	Weight	Load Type
TU80WA12RE	220-240V AC 50/60Hz	0.36 A	12V AC	573g	Incandescent & Halogen Bulbs
TU80WA12REO	220-240V AC 50/60Hz	0.36 A	12V AC	897g	Incandescent & Halogen Bulbs

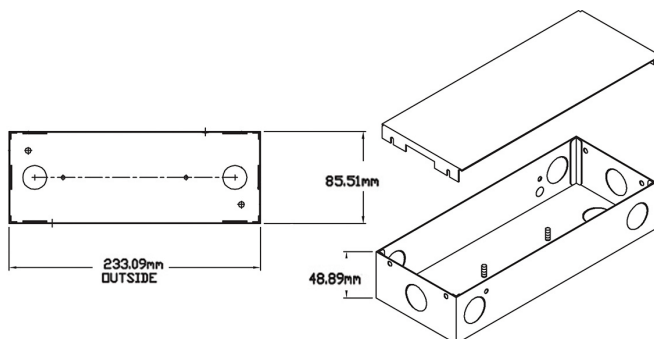
MECHANICAL SPECS.

Available Form Factors	Dimensions
Standard "B5"	77X33X21mm
"G2"	233.1x85.5x48.9mm
"G3"	280x103x56mm

B5 - STANDARD



G2 - LED REMOTE (RE) MODELS ONLY



G3 - LED REMOTE (REO) MODELS ONLY

