



L.T.F Low Voltage Electronic Power Supply

75W 24V AC

TA75WA24 Series and TU75WA24 Series



Efficiency	higher than 85%
Power Factor	>98%
Case TC*	90°C Max
Protection	Input/ Output
Storage	-30°C/ +90°C
Humidity	95% RH max
IP Rating	IP 60
Standard Dimming	ELV Dimmable
Special Dimming	Dimming Loop (DL)



FEATURES

- No load technology, works with both Halogen & LED AC loads **
- Isolated output power per NEC and UL safety requirements
- UL recognized/listed Class 2 power supply, meet UL 2108 requirements
- Auto-reset; Short circuit, Overload and Thermal protection
- Soft start
- Dimmable
- Low profile, small compact design to fit in most enclosures

ELECTRICAL SPECIFICATIONS

120V					
Model #	Input Voltage	Input Current	Output Voltage	Weight	Load Type
TA75WA24	120V AC 50/60Hz	0.63 A	24V AC	100g	Incandescent & Halogen Bulbs
TA75WA24LED	120V AC 50/60Hz	0.63 A	24V AC	100g	AC LED Bulbs, Incandescent & Halogen Bulbs
TA75WA24DL	120V AC 50/60Hz	0.63 A	24V AC	100g	Incandescent & Halogen Bulbs
TA75WA24LEDDL	120V AC 50/60Hz	0.63 A	24V AC	100g	LED Bulbs, Incandescent & Halogen Bulbs

120V Remote					
Model #	Input Voltage	Input Current	Output Voltage	Weight	Load Type
TA75WA24RE	120V AC 50/60Hz	0.63 A	24V AC	573g	Incandescent & Halogen Bulbs
TA75WA24REO	120V AC 50/60Hz	0.63 A	24V AC	897g	Incandescent & Halogen Bulbs
TA75WA24LEDRE	120V AC 50/60Hz	0.63 A	24V AC	573g	AC LED Bulbs, Incandescent & Halogen Bulbs
TA75WA24LEDREO	120V AC 50/60Hz	0.63 A	24V AC	897g	AC LED Bulbs, Incandescent & Halogen Bulbs

* Under confirmed thermal condition



120V Remote					
Model #	Input Voltage	Input Current	Output Voltage	Weight	Load Type
TA75WA24DLRE	120V AC 50/60Hz	0.63 A	24V AC	573g	Incandescent & Halogen Bulbs
TA75WA24DLREO	120V AC 50/60Hz	0.63 A	24V AC	897g	Incandescent & Halogen Bulbs
TA75WA24LEDDLRE	120V AC 50/60Hz	0.63 A	24V AC	573g	LED Bulbs, Incandescent & Halogen Bulbs
TA75WA24LEDDLREO	120V AC 50/60Hz	0.63 A	24V AC	897g	LED Bulbs, Incandescent & Halogen Bulbs

220-240V					
Model #	Input Voltage	Input Current	Output Voltage	Weight	Load Type
TU75WA24	220-240V AC 50/60Hz	0.34 A	24V AC	100g	Incandescent & Halogen Bulbs
TU75WA24LED	220-240V AC 50/60Hz	0.34 A	24V AC	100g	AC LED Bulbs, Incandescent & Halogen Bulbs
TU75WA24DL	220-240V AC 50/60Hz	0.34 A	24V AC	100g	Incandescent & Halogen Bulbs
TU75WA24LEDDL	220-240V AC 50/60Hz	0.34 A	24V AC	100g	AC LED Bulbs, Incandescent & Halogen Bulbs

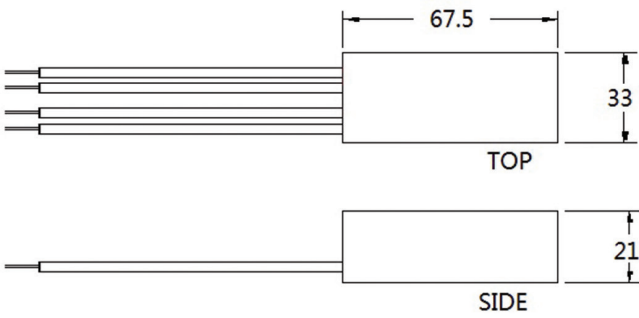
220-240V Remote					
Model #	Input Voltage	Input Current	Output Voltage	Weight	Load Type
TU75WA24RE	220-240V AC 50/60Hz	0.34 A	24V AC	573g	Incandescent & Halogen Bulbs
TU75WA24REO	220-240V AC 50/60Hz	0.34 A	24V AC	897g	Incandescent & Halogen Bulbs
TU75WA24LEDRE	220-240V AC 50/60Hz	0.34 A	24V AC	573g	AC LED Bulbs, Incandescent & Halogen Bulbs
TU75WA24LEDREO	220-240V AC 50/60Hz	0.34 A	24V AC	897g	AC LED Bulbs, Incandescent & Halogen Bulbs
TU75WA24DLRE	220-240V AC 50/60Hz	0.34 A	24V AC	573g	Incandescent & Halogen Bulbs
TU75WA24DLREO	220-240V AC 50/60Hz	0.34 A	24V AC	897g	Incandescent & Halogen Bulbs
TU75WA24LEDDLRE	220-240V AC 50/60Hz	0.34 A	24V AC	573g	AC LED Bulbs, Incandescent & Halogen Bulbs
TU75WA24LEDDLREO	220-240V AC 50/60Hz	0.34 A	24V AC	897g	AC LED Bulbs, Incandescent & Halogen Bulbs

MECHANICAL SPECS.

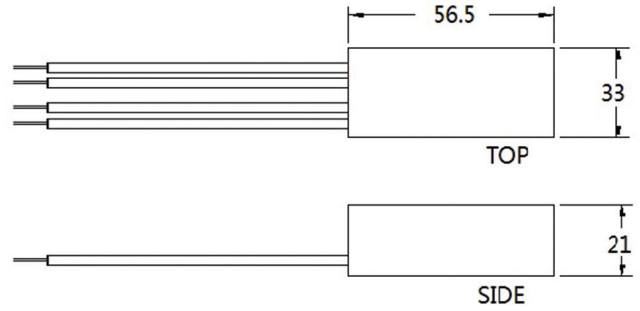
Available Form Factors	Dimensions
Standard "B4"	67.5X33X21mm
"B2"	56.5X33X21mm
"G2"	233.1x85.5x48.9mm
"G3"	280x103x56mm



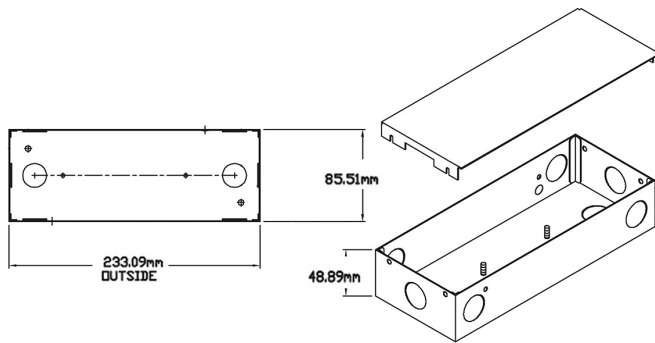
B4 - STANDARD



B2 - SPECIAL ORDER



G2 - LED REMOTE (RE) MODELS ONLY



G3 - LED REMOTE (REO) MODELS ONLY

