



L.T.F. Low Voltage Electronic Power Supply

50W 24V AC/DC

TA50WA24 and TU50WA24 Series &
TA50WD24 and TU50WD24 Series



Efficiency	higher than 85%
Power Factor	>98%
Case TC*	90C° Max
Protection	Input/ Output
Storage	-30°C/ +90°C°
Humidity	95% RH max
IP Rating	IP 60
Standard Dimming	ELV Dimmable
Special Dimming	Dimming Loop (DL)
Special Dimming	0-10V Dimming (D10)
Class	Class 2



FEATURES

- No load technology, works with both Halogen & LED AC loads **
- Isolated output power per NEC and UL safety requirements
- UL recognized/listed Class 2 power supply, meet UL 2108 requirements
- Auto-reset; Short circuit, Overload and Thermal protection
- Soft start
- Dimmable
- Low profile, small compact design to fit in most enclosures

ELECTRICAL SPECIFICATIONS

120V					
Model #	Input Voltage	Input Current	Output Voltage	Weight	Load Type
TA50WA24	120V AC 50/60Hz	0.42 A	24V AC	160g	Incandescent & Halogen Bulbs
TA50WD24LED	120V AC 50/60Hz	0.42 A	24V DC	160g	LED Bulbs, Incandescent & Halogen Bulbs

120V Remote					
Model #	Input Voltage	Input Current	Output Voltage	Weight	Load Type
TA50WA24RE	120V AC 50/60Hz	0.42 A	24V AC	482g	Incandescent & Halogen Bulbs
TA50WA24REO	120V AC 50/60Hz	0.42 A	24V AC	622g	Incandescent & Halogen Bulbs
TA50WD24LEDRE	120V AC 50/60Hz	0.42 A	24V DC	482g	LED Bulbs, Incandescent & Halogen Bulbs
TA50WD24LEDREO	120V AC 50/60Hz	0.42 A	24V DC	622g	LED Bulbs, Incandescent & Halogen Bulbs

* Under confirmed thermal condition



277V					
Model #	Input Voltage	Input Current	Output Voltage	Weight	Load Type
TE50WA24	277V AC 50/60Hz	0.18 A	24V AC	160g	Incandescent & Halogen Bulbs
TE50WD24LED	277V AC 50/60Hz	0.18 A	24V DC	160g	LED Bulbs, Incandescent & Halogen Bulbs

277V Remote					
Model #	Input Voltage	Input Current	Output Voltage	Weight	Load Type
TE50WA24RE	277V AC 50/60Hz	0.18 A	24V AC	482g	Incandescent & Halogen Bulbs
TE50WA24REO	277V AC 50/60Hz	0.18 A	24V AC	622g	Incandescent & Halogen Bulbs
TE50WD24LEDRE	277V AC 50/60Hz	0.18 A	24V DC	482g	LED Bulbs, Incandescent & Halogen Bulbs
TE50WD24LEDREO	277V AC 50/60Hz	0.18 A	24V DC	622g	LED Bulbs, Incandescent & Halogen Bulbs

220-240V					
Model #	Input Voltage	Input Current	Output Voltage	Weight	Load Type
TU50WA24	220-240V AC 50/60Hz	0.23 A	24V AC	160g	Incandescent & Halogen Bulbs
TU50WD24LED	220-240V AC 50/60Hz	0.23 A	24V DC	160g	LED Bulbs, Incandescent & Halogen Bulbs

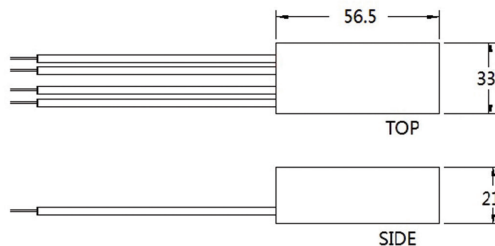
220-240V					
Model #	Input Voltage	Input Current	Output Voltage	Weight	Load Type
TU50WA24RE	220-240V AC 50/60Hz	0.23 A	24V AC	482g	Incandescent & Halogen Bulbs
TU50WA24REO	220-240V AC 50/60Hz	0.23 A	24V AC	622g	Incandescent & Halogen Bulbs
TU50WD24LEDRE	220-240V AC 50/60Hz	0.23 A	24V DC	482g	LED Bulbs, Incandescent & Halogen Bulbs
TU50WD24LEDREO	220-240V AC 50/60Hz	0.23 A	24V DC	622g	LED Bulbs, Incandescent & Halogen Bulbs



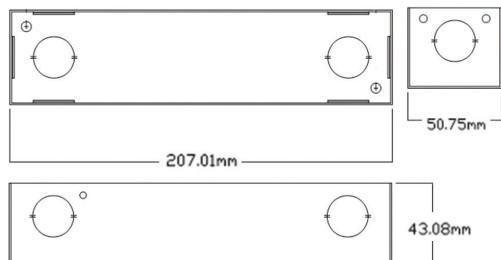
MECHANICAL SPECS. AC MODELS

Available Form Factors	Dimensions
Standard "B2"	56.5X33X21mm
"G1"	207X50.8X43.1mm
"G4"	238X66X48mm

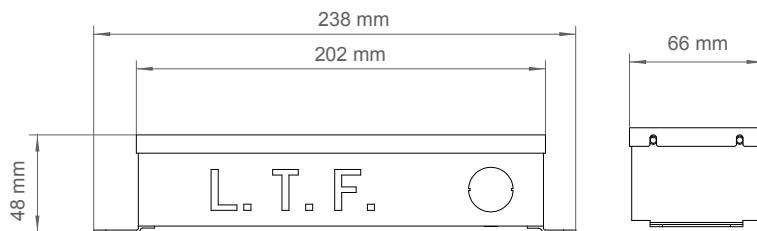
B2 - STANDARD



G1 - REMOTE(RE) MODELS ONLY



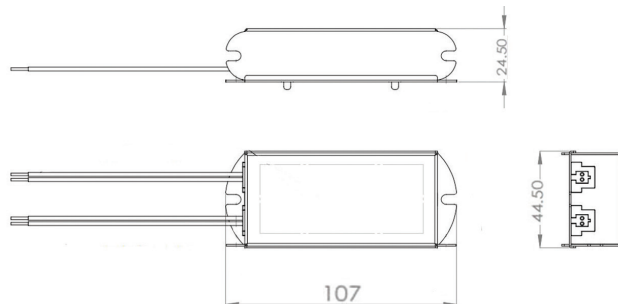
G4 - REMOTE (REO) MODELS ONLY



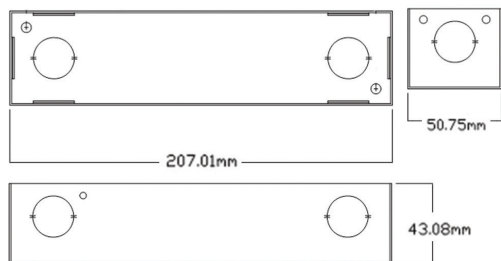
MECHANICAL SPECS. DC MODELS

Available Form Factors	Dimensions
Standard "E"	107X44.5X24.5mm
"G1"	207X50.8X43.1mm
"G4"	238X66X48mm

E - STANDARD



G1 - REMOTE(RE) MODELS ONLY



G4 - REMOTE (REO) MODELS ONLY

