



L.T.F Low Voltage Electronic Power Supply

50W 12V AC/DC

TA50WA12 and TU50WA12 Series &
TA50WD12 and TU50WD12 Series



Efficiency	higher than 85%
Power Factor	>98%
Case TC*	90°C Max
Protection	Input/ Output
Storage	-30°C/ +90°C
Humidity	95% RH max
IP Rating	IP 60
Standard Dimming	ELV Dimmable
Special Dimming	Dimming Loop (DL)
Special Dimming	0-10V Dimming (D10)
Class	Class 2



FEATURES

- No load technology, works with both Halogen & LED AC loads **
- Isolated output power per NEC and UL safety requirements
- UL recognized/listed Class 2 power supply, meet UL 2108 requirements
- Auto-reset; Short circuit, Overload and Thermal protection
- Soft start
- Dimmable
- Low profile, small compact design to fit in most enclosures

ELECTRICAL SPECIFICATIONS

120V					
Model #	Input Voltage	Input Current	Output Voltage	Weight	Load Type
TA50WA12	120V AC 50/60Hz	0.42 A	12V AC	160g	Incandescent & Halogen Bulbs
TA50WD12LED	120V AC 50/60Hz	0.42 A	12V DC	160g	LED Strips, LED Bulbs, Incandescent & Halogen Bulbs

120V Remote					
Model #	Input Voltage	Input Current	Output Voltage	Weight	Load Type
TA50WA12RE	120V AC 50/60Hz	0.42 A	12V AC	482g	Incandescent & Halogen Bulbs
TA50WA12REO	120V AC 50/60Hz	0.42 A	12V AC	622g	Incandescent & Halogen Bulbs
TA50WD12LEDRE	120V AC 50/60Hz	0.42 A	12V DC	482g	LED Strips, LED Bulbs, Incandescent & Halogen Bulbs
TA50WD12LEDREO	120V AC 50/60Hz	0.42 A	12V DC	622g	LED Strips, LED Bulbs, Incandescent & Halogen Bulbs

277V					
Model #	Input Voltage	Input Current	Output Voltage	Weight	Load Type
TE50WA12	277V AC 50/60Hz	0.18 A	12V AC	160g	Incandescent & Halogen Bulbs
TE50WD12LED	277V AC 50/60Hz	0.18 A	12V DC	160g	LED Strips, LED Bulbs, Incandescent & Halogen Bulbs

* Under confirmed thermal condition



277V Remote					
Model #	Input Voltage	Input Current	Output Voltage	Weight	Load Type
TE50WA12RE	277V AC 50/60Hz	0.18 A	12V AC	482g	Incandescent & Halogen Bulbs
TE50WA12REO	277V AC 50/60Hz	0.18 A	12V AC	622g	Incandescent & Halogen Bulbs
TE50WD12LEDRE	277V AC 50/60Hz	0.18 A	12V DC	482g	LED Strips, LED Bulbs, Incandescent & Halogen Bulbs
TE50WD12LEDREO	277V AC 50/60Hz	0.18 A	12V DC	622g	LED Strips, LED Bulbs, Incandescent & Halogen Bulbs

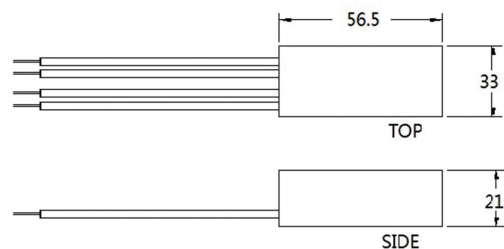
220-240V					
Model #	Input Voltage	Input Current	Output Voltage	Weight	Load Type
TU50WA12	220-240V AC 50/60Hz	0.23 A	12V AC	160g	Incandescent & Halogen Bulbs
TU50WD12LED	220-240V AC 50/60Hz	0.23 A	12V DC	160g	LED Strips, LED Bulbs, Incandescent & Halogen Bulbs

220-240V Remote					
Model #	Input Voltage	Input Current	Output Voltage	Weight	Load Type
TU50WA12RE	220-240V AC 50/60Hz	0.23 A	12V AC	482g	Incandescent & Halogen Bulbs
TU50WA12REO	220-240V AC 50/60Hz	0.23 A	12V AC	622g	Incandescent & Halogen Bulbs
TU50WD12LEDRE	220-240V AC 50/60Hz	0.23 A	12V DC	482g	LED Strips, LED Bulbs, Incandescent & Halogen Bulbs
TU50WD12LEDREO	220-240V AC 50/60Hz	0.23 A	12V DC	622g	LED Strips, LED Bulbs, Incandescent & Halogen Bulbs

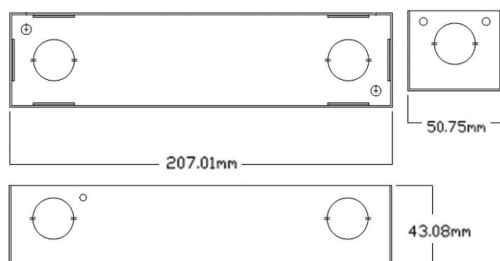
MECHANICAL SPECS. AC MODELS

Available Form Factors	Dimensions
Standard "B2"	56.5X33X21mm
"G1"	207X50.8X43.1mm
"G4"	238X66X48mm

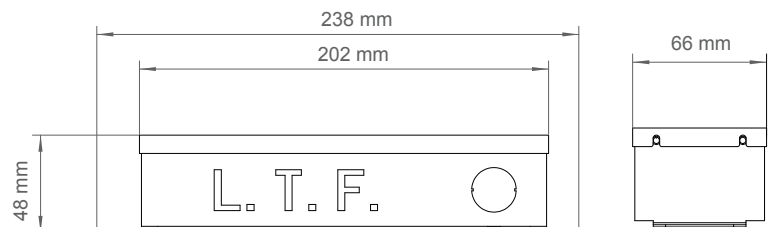
B2 - STANDARD



G1 - REMOTE(RE) MODELS ONLY



G4 - REMOTE (REO) MODELS ONLY

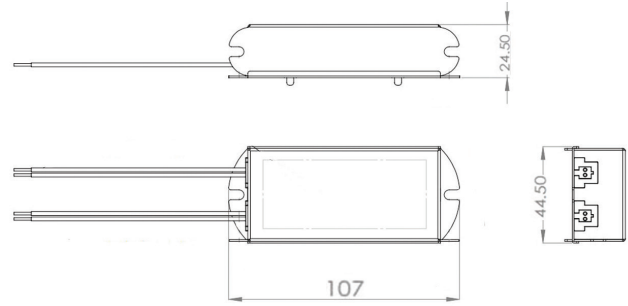




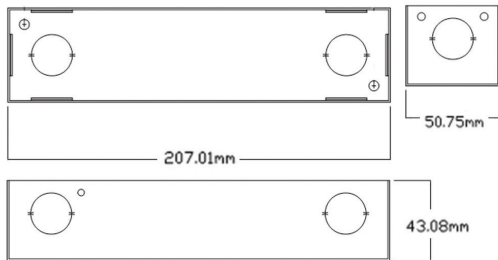
MECHANICAL SPECS. DC MODELS

Available Form Factors	Dimensions
Standard "E"	107X44.5X24.5mm
"G1"	207X50.8X43.1mm
"G4"	238X66X48mm

E - STANDARD



G1 - REMOTE(RE) MODELS ONLY



G4 - REMOTE (REO) MODELS ONLY

