



# L.T.F Low Voltage Electronic Power Supply

30W 24V AC/DC

TA30WA24 and TU30WA24 Series &  
TA30WD24 and TU30WD24 Series



Efficiency	higher than 85%
Power Factor	>98%
Case TC*	90C° Max
Protection	Input/ Output
Storage	-30°C/ +90°C
Humidity	95% RH max
IP Rating	IP 60
Standard Dimming	ELV Dimmable
Special Dimming	Dimming Loop (DL)
Special Dimming	0-10V Dimming (D10)
Class	Class 2



RoHS



Year Warranty

## FEATURES

- No load technology, works with both Halogen & LED AC loads \*\*
- Isolated output power per NEC and UL safety requirements
- UL recognized/listed Class 2 power supply, meet UL 2108 requirements
- Auto-reset; Short circuit, Overload and Thermal protection
- Soft start
- Dimmable
- Low profile, small compact design to fit in most enclosures

## ELECTRICAL SPECIFICATIONS

120V					
Model #	Input Voltage	Input Current	Output Voltage	Weight	Load Type
TA30WA24	120V AC 50/60Hz	0.25 A	24V AC	160g	Incandescent & Halogen Bulbs
TA30WA24LED	120V AC 50/60Hz	0.25 A	24V AC	160g	AC LED Bulbs, Incandescent & Halogen Bulbs
TA30WD24LED	120V AC 50/60Hz	0.25 A	24V DC	160g	LED Strips, LED Bulbs, Incandescent & Halogen Bulbs

120V Remote					
Model #	Input Voltage	Input Current	Output Voltage	Weight	Load Type
TA30WA24RE	120V AC 50/60Hz	0.25 A	24V AC	481g	Incandescent & Halogen Bulbs
TA30WA24REO	120V AC 50/60Hz	0.25 A	24V AC	622g	Incandescent & Halogen Bulbs
TA30WA24LEDRE	120V AC 50/60Hz	0.25 A	24V AC	481g	AC LED Bulbs, Incandescent & Halogen Bulbs
TA30WA24LEDREO	120V AC 50/60Hz	0.25 A	24V AC	622g	AC LED Bulbs, Incandescent & Halogen Bulbs
TA30WD24LEDRE	120V AC 50/60Hz	0.25 A	24V DC	481g	LED Strips, LED Bulbs, Incandescent & Halogen Bulbs
TA30WD24LEDREO	120V AC 50/60Hz	0.25 A	24V DC	622g	LED Strips, LED Bulbs, Incandescent & Halogen Bulbs

\* Under confirmed thermal condition

L.T.F. L.L.C. PHONE: (847) 498-5832 FAX: (773) 337-5628 EMAIL: sales@ltftechnology.com  
Company's Address: 11966 Oak Creek Pkwy Unit H, Huntley IL 60142 U.S.A. [www.ltftechnology.com](http://www.ltftechnology.com)

© L.T.F., L.L.C. All rights reserved. L.T.F. reserves the right to change specification for product improvements without notification



277V					
Model #	Input Voltage	Input Current	Output Voltage	Weight	Load Type
TE30WA24LED	277V AC 50/60Hz	0.1 A	24V AC	160g	AC LED Bulbs, Incandescent & Halogen Bulbs

277V Remote					
Model #	Input Voltage	Input Current	Output Voltage	Weight	Load Type
TE30WA24LEDRE	277V AC 50/60Hz	0.1 A	24V AC	481g	AC LED Bulbs, Incandescent & Halogen Bulbs
TE30WA24LEDREO	277V AC 50/60Hz	0.1 A	24V AC	622g	AC LED Bulbs, Incandescent & Halogen Bulbs

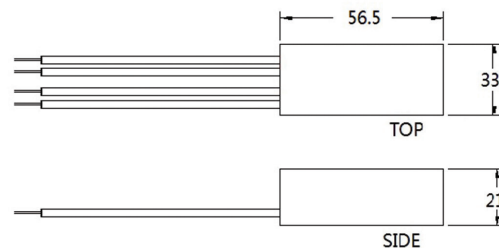
220-240V					
Model #	Input Voltage	Input Current	Output Voltage	Weight	Load Type
TU30WA24	220-240V AC 50/60Hz	0.14 A	24V AC	160g	Incandescent & Halogen Bulbs
TU30WA24LED	220-240V AC 50/60Hz	0.14 A	24V AC	160g	AC LED Bulbs, Incandescent & Halogen Bulbs
TU30WD24LED	220-240V AC 50/60Hz	0.14 A	24V DC	160g	LED Strips, LED Bulbs, Incandescent & Halogen Bulbs

220-240V Remote					
Model #	Input Voltage	Input Current	Output Voltage	Weight	Load Type
TU30WA24RE	220-240V AC 50/60Hz	0.14 A	24V AC	481g	Incandescent & Halogen Bulbs
TU30WA24REO	220-240V AC 50/60Hz	0.14 A	24V AC	622g	Incandescent & Halogen Bulbs
TU30WA24LEDRE	220-240V AC 50/60Hz	0.14 A	24V AC	481g	AC LED Bulbs, Incandescent & Halogen Bulbs
TU30WA24LEDREO	220-240V AC 50/60Hz	0.14 A	24V AC	622g	AC LED Bulbs, Incandescent & Halogen Bulbs
TU30WD24LEDRE	220-240V AC 50/60Hz	0.14 A	24V DC	481g	LED Strips, LED Bulbs, Incandescent & Halogen Bulbs
TU30WD24LEDREO	220-240V AC 50/60Hz	0.14 A	24V DC	622g	LED Strips, LED Bulbs, Incandescent & Halogen Bulbs

MECHANICAL SPECS. AC MODELS

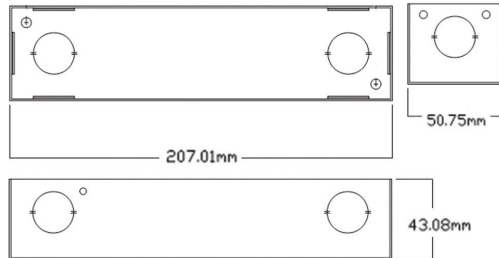
Available Form Factors	Dimensions
Standard "B2"	56.5X33X21mm
"G1"	207X50.8X43.1mm
"G4"	238X66X48mm

B2 - STANDARD

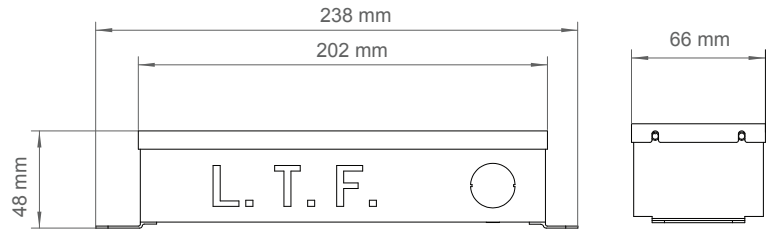




G1 - REMOTE(RE) MODELS ONLY



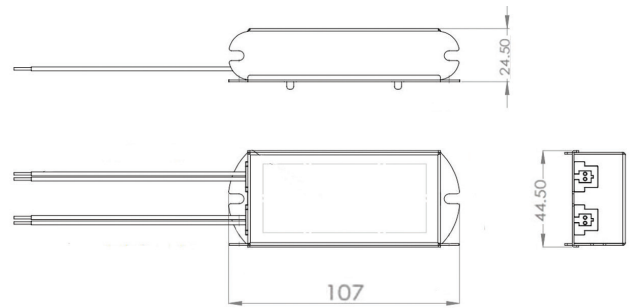
G4 - REMOTE (REO) MODELS ONLY



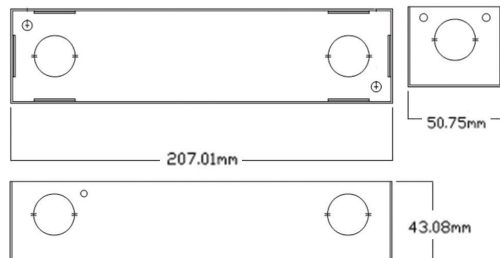
MECHANICAL SPECS. DC MODELS

Available Form Factors	Dimensions
Standard "E"	107X44.5X24.5mm
"G1"	207X50.8X43.1mm
"G4"	238X66X48mm

E - STANDARD



G1 - REMOTE(RE) MODELS ONLY



G4 - REMOTE (REO) MODELS ONLY

