



L.T.F. Low Voltage Electronic Power Supply

30W 12V AC/DC

TA30WA12 and TU30WA12 Series &
TA30WD12 and TU30WD12 Series



Efficiency	higher than 85%
Power Factor	>98%
Case TC*	90°C Max
Protection	Input/ Output
Storage	-30°C/ +90°C
Humidity	95% RH max
IP Rating	IP 60
Standard Dimming	ELV Dimmable
Special Dimming	Dimming Loop (DL)
Special Dimming	0-10V Dimming (D10)
Class	Class 2



FEATURES

- No load technology, works with both Halogen & LED AC loads **
- Isolated output power per NEC and UL safety requirements
- UL recognized/listed Class 2 power supply, meet UL 2108 requirements
- Auto-reset; Short circuit, Overload and Thermal protection
- Soft start
- Dimmable
- Low profile, small compact design to fit in most enclosures

ELECTRICAL SPECIFICATIONS

120V					
Model #	Input Voltage	Input Current	Output Voltage	Weight	Load Type
TA30WA12	120V AC 50/60Hz	0.25 A	12V AC	160g	Incandescent & Halogen Bulbs
TA30WA12LED	120V AC 50/60Hz	0.25 A	12V AC	160g	AC LED Bulbs, Incandescent & Halogen Bulbs
TA30WD12LED	120V AC 50/60Hz	0.25 A	12V DC	160g	LED Strips, LED Bulbs, Incandescent & Halogen Bulbs

120V Remote					
Model #	Input Voltage	Input Current	Output Voltage	Weight	Load Type
TA30WA12RE	120V AC 50/60Hz	0.25 A	12V AC	481g	Incandescent & Halogen Bulbs
TA30WA12REO	120V AC 50/60Hz	0.25 A	12V AC	622g	Incandescent & Halogen Bulbs
TA30WA12LEDRE	120V AC 50/60Hz	0.25 A	12V AC	481g	AC LED Bulbs, Incandescent & Halogen Bulbs
TA30WA12LEDREO	120V AC 50/60Hz	0.25 A	12V AC	622g	AC LED Bulbs, Incandescent & Halogen Bulbs
TA30WD12LEDRE	120V AC 50/60Hz	0.25 A	12V DC	481g	LED Strips, LED Bulbs, Incandescent & Halogen Bulbs
TA30WD12LEDREO	120V AC 50/60Hz	0.25 A	12V DC	622g	LED Strips, LED Bulbs, Incandescent & Halogen Bulbs

* Under confirmed thermal condition



277V					
Model #	Input Voltage	Input Current	Output Voltage	Weight	Load Type
TE30WA12LED	277V AC 50/60Hz	0.1 A	12V AC	160g	AC LED Bulbs, Incandescent & Halogen Bulbs

277V Remote					
Model #	Input Voltage	Input Current	Output Voltage	Weight	Load Type
TE30WA12LEDRE	277V AC 50/60Hz	0.1 A	12V AC	481g	AC LED Bulbs, Incandescent & Halogen Bulbs
TE30WA12LEDREO	277V AC 50/60Hz	0.1 A	12V AC	622g	AC LED Bulbs, Incandescent & Halogen Bulbs

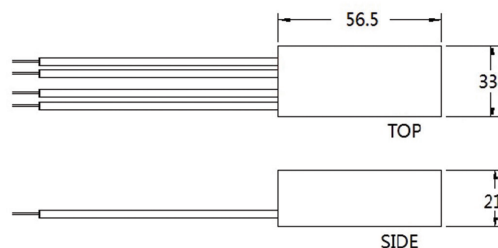
220-240V					
Model #	Input Voltage	Input Current	Output Voltage	Weight	Load Type
TU30WA12	220-240V AC 50/60Hz	0.14 A	12V AC	160g	Incandescent & Halogen Bulbs
TU30WA12LED	220-240V AC 50/60Hz	0.14 A	12V AC	160g	AC LED Bulbs, Incandescent & Halogen Bulbs
TU30WD12LED	220-240V AC 50/60Hz	0.14 A	12V DC	160g	LED Strips, LED Bulbs, Incandescent & Halogen Bulbs

220-240V Remote					
Model #	Input Voltage	Input Current	Output Voltage	Weight	Load Type
TU30WA12RE	220-240V AC 50/60Hz	0.14 A	12V AC	481g	Incandescent & Halogen Bulbs
TU30WA12REO	220-240V AC 50/60Hz	0.14 A	12V AC	622g	Incandescent & Halogen Bulbs
TU30WA12LEDRE	220-240V AC 50/60Hz	0.14 A	12V AC	481g	AC LED Bulbs, Incandescent & Halogen Bulbs
TU30WA12LEDREO	220-240V AC 50/60Hz	0.14 A	12V AC	622g	AC LED Bulbs, Incandescent & Halogen Bulbs
TU30WD12LEDRE	220-240V AC 50/60Hz	0.14 A	12V DC	481g	LED Strips, LED Bulbs, Incandescent & Halogen Bulbs
TU30WD12LEDREO	220-240V AC 50/60Hz	0.14 A	12V DC	622g	LED Strips, LED Bulbs, Incandescent & Halogen Bulbs

MECHANICAL SPECS. AC MODELS

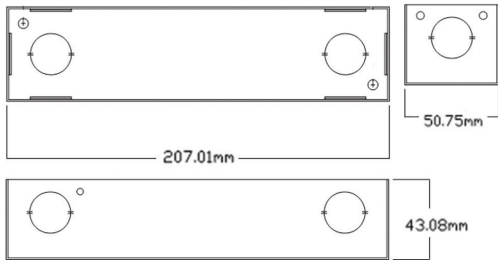
Available Form Factors	Dimensions
Standard "B2"	56.5X33X21mm
"G1"	207X50.8X43.1mm
"G4"	238X66X48mm

B2 - STANDARD

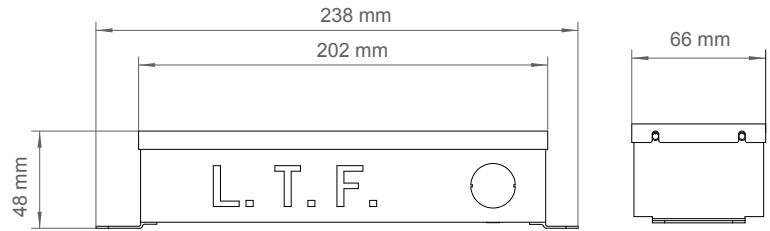




G1 - REMOTE(RE) MODELS ONLY

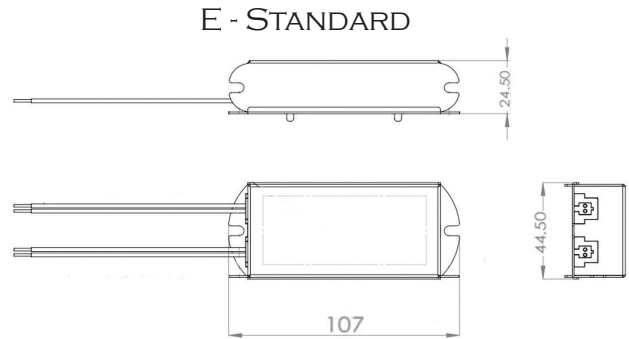


G4 - REMOTE (REO) MODELS ONLY

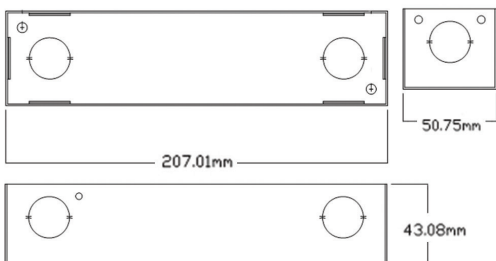


MECHANICAL SPECS. DC MODELS

Available Form Factors	Dimensions
Standard "E"	107X44.5X24.5mm
"G1"	207X50.8X43.1mm
"G4"	238X66X48mm



G1 - REMOTE(RE) MODELS ONLY



G4 - REMOTE (REO) MODELS ONLY

