



L.T.F. Low Voltage Electronic Power Supply



300W 24V AC/DC TA300WA24, TU300WA24 Series & TA300WD24, TU300WD24 Series



Efficiency	higher than 85%
Power Factor	>98%
Case TC*	90°C Max
Protection	Input/ Output
Storage	-30°C/ +90°C
Humidity	95% RH max
IP Rating	IP 60
Dimming	ELV Dimmable



Year Warranty

FEATURES

- No load technology, works with both Halogen & LED AC loads **
- Isolated output power per NEC and UL safety requirements
- UL recognized/listed Class 2 power supply, meet UL 2108 requirements
- Auto-reset; Short circuit, Overload and Thermal protection
- Soft start
- Dimmable
- Low profile, small compact design to fit in most enclosures

ELECTRICAL SPECIFICATIONS

120V					
Model #	Input Voltage	Input Current	Output Voltage	Weight	Load Type
TA300WA24	120V AC 50/60Hz	2.5 A	24V AC	300g	Incandescent & Halogen Bulbs
TA300WD24	120V AC 50/60Hz	2.5 A	24V DC	300g	Incandescent & Halogen Bulbs
TA300WDS24	120V AC 50/60Hz	2.5 A	24V DC	300g	Incandescent & Halogen Bulbs
TA300WA24LED	120V AC 50/60Hz	2.5 A	24V AC	300g	AC LED Bulbs, Incandescent & Halogen Bulbs
TA300WD24LED	120V AC 50/60Hz	2.5 A	24V DC	300g	LED Strips, LED Bulbs, Incandescent & Halogen Bulbs
TA300WDS24LED	120V AC 50/60Hz	2.5 A	24V DC	300g	LED Strips, LED Bulbs, Incandescent & Halogen Bulbs

120V Remote					
Model #	Input Voltage	Input Current	Output Voltage	Weight	Load Type
TA300WA24RE	120V AC 50/60Hz	2.5 A	24V AC	773g	Incandescent & Halogen Bulbs
TA300WA24REO	120V AC 50/60Hz	2.5 A	24V AC	1097g	Incandescent & Halogen Bulbs
TA300WD24RE	120V AC 50/60Hz	2.5 A	24V DC	773g	Incandescent & Halogen Bulbs
TA300WD24REO	120V AC 50/60Hz	2.5 A	24V DC	1097g	Incandescent & Halogen Bulbs

* Under confirmed thermal condition



120V Remote					
Model #	Input Voltage	Input Current	Output Voltage	Weight	Load Type
TA300WA24LEDRE	120V AC 50/60Hz	2.5 A	24V AC	773g	AC LED Bulbs, Incandescent & Halogen Bulbs
TA300WA24LEDREO	120V AC 50/60Hz	2.5 A	24V AC	1097g	AC LED Bulbs, Incandescent & Halogen Bulbs
TA300WD24LEDRE	120V AC 50/60Hz	2.5 A	24V DC	773g	LED Strips, LED Bulbs, Incandescent & Halogen Bulbs
TA300WD24LEDREO	120V AC 50/60Hz	2.5 A	24V DC	1097g	LED Strips, LED Bulbs, Incandescent & Halogen Bulbs

220-240V					
Model #	Input Voltage	Input Current	Output Voltage	Weight	Load Type
TU300WA24	220-240V AC 50/60Hz	1.36 A	24V AC	300g	Incandescent & Halogen Bulbs
TU300WD24	220-240V AC 50/60Hz	1.36 A	24V DC	300g	Incandescent & Halogen Bulbs
TU300WDS24	220-240V AC 50/60Hz	1.36 A	24V DC	300g	Incandescent & Halogen Bulbs
TU300WA24LED	220-240V AC 50/60Hz	1.36 A	24V AC	300g	AC LED Bulbs, Incandescent & Halogen Bulbs
TU300WD24LED	220-240V AC 50/60Hz	1.36 A	24V DC	300g	LED Strips, LED Bulbs, Incandescent & Halogen Bulbs
TU300WDS24LED	220-240V AC 50/60Hz	1.36 A	24V DC	300g	LED Strips, LED Bulbs, Incandescent & Halogen Bulbs

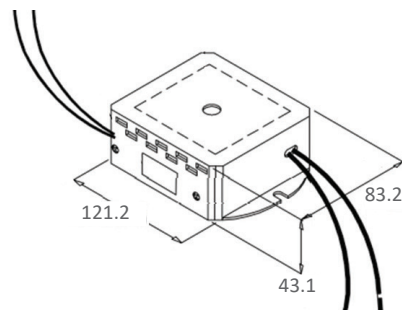
220-240V Remote					
Model #	Input Voltage	Input Current	Output Voltage	Weight	Load Type
TU300WA24RE	220-240V AC 50/60Hz	1.36 A	24V AC	773g	Incandescent & Halogen Bulbs
TU300WA24REO	220-240V AC 50/60Hz	1.36 A	24V AC	1097g	Incandescent & Halogen Bulbs
TU300WD24RE	220-240V AC 50/60Hz	1.36 A	24V DC	773g	Incandescent & Halogen Bulbs
TU300WD24REO	220-240V AC 50/60Hz	1.36 A	24V DC	1097g	Incandescent & Halogen Bulbs
TU300WD24D10RE	220-240V AC 50/60Hz	1.36 A	24V DC	773g	Incandescent & Halogen Bulbs
TU300WD24D10REO	220-240V AC 50/60Hz	1.36 A	24V DC	1097g	Incandescent & Halogen Bulbs
TU300WA24LEDRE	220-240V AC 50/60Hz	1.36 A	24V AC	773g	AC LED Bulbs, Incandescent & Halogen Bulbs
TU300WA24LEDREO	220-240V AC 50/60Hz	1.36 A	24V AC	1097g	AC LED Bulbs, Incandescent & Halogen Bulbs
TU300WD24LEDRE	220-240V AC 50/60Hz	1.36 A	24V DC	773g	LED Strips, LED Bulbs, Incandescent & Halogen Bulbs
TU300WD24LEDREO	220-240V AC 50/60Hz	1.36 A	24V DC	1097g	LED Strips, LED Bulbs, Incandescent & Halogen Bulbs



MECHANICAL SPECS. FOR AC PRODUCTS

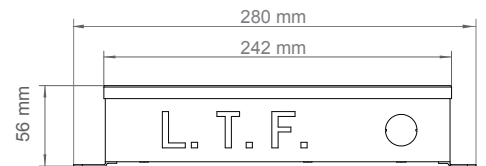
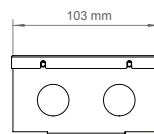
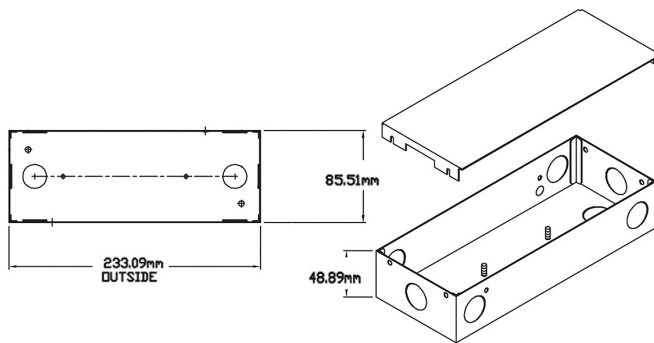
Available Form Factors	Dimensions
Standard "E2"	121.2X83.2X43.1mm
"G2"	233.1X85.5X48.9mm
"G3"	280x103x56mm

E2 - STANDARD



G2 - REMOTE(RE) MODELS ONLY

G3 - LED REMOTE (REO) MODELS ONLY

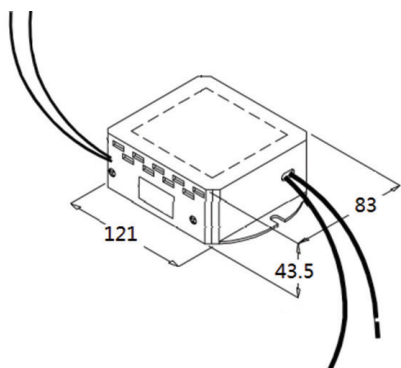




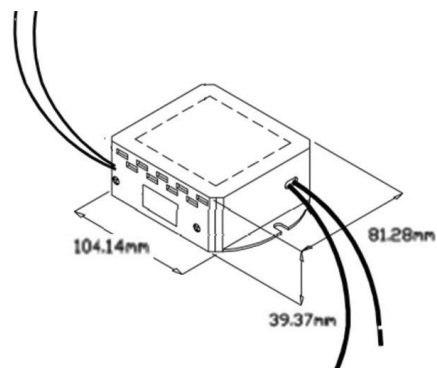
MECHANICAL SPECS. FOR ALL DC PRODUCTS

Available Form Factors	Dimensions
Standard "E4"	121X83X43.5mm
"E3"	104.1X81.3X39.4mm
"G2"	233.1X85.5X48.9mm
"G3"	280x103x56mm

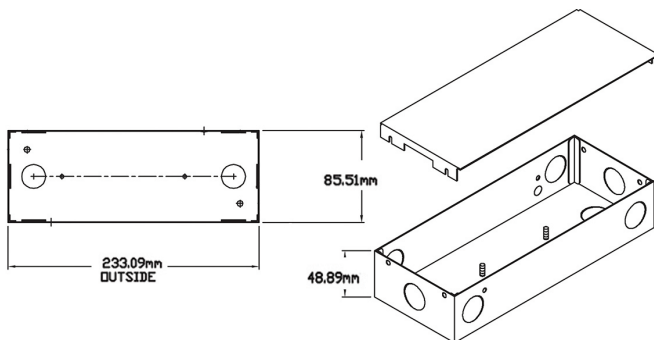
E4 - STANDARD



E3 - DS MODELS ONLY



G2 - REMOTE(RE) MODELS ONLY



G3 - LED REMOTE (REO) MODELS ONLY

