



L.T.F. Low Voltage Electronic Power Supply



250W 24V AC/DC TA250WA24, TU250WA24 Series & TA250WD12, TU250WD12 Series



Efficiency	higher than 85%
Power Factor	>98%
Case TC*	90C° Max
Protection	Input/ Output
Storage	-30°C/ +90°C
Humidity	95% RH max
IP Rating	IP 60
Dimming	ELV Dimmable



Year Warranty

FEATURES

- No load technology, works with both Halogen & LED AC loads **
- Isolated output power per NEC and UL safety requirements
- UL recognized/listed Class 2 power supply, meet UL 2108 requirements
- Auto-reset; Short circuit, Overload and Thermal protection
- Soft start
- Dimmable
- Low profile, small compact design to fit in most enclosures

ELECTRICAL SPECIFICATIONS

120V					
Model #	Input Voltage	Input Current	Output Voltage	Weight	Load Type
TA250WA24	120V AC 50/60Hz	2.08 A	24V AC	300g	Incandescent & Halogen Bulbs
TA250WDS24	120V AC 50/60Hz	2.08 A	24V DC	300g	Incandescent & Halogen Bulbs

120V Remote					
Model #	Input Voltage	Input Current	Output Voltage	Weight	Load Type
TA250WA24RE	120V AC 50/60Hz	2.08 A	24V AC	773g	Incandescent & Halogen Bulbs
TA250WA24REO	120V AC 50/60Hz	2.08 A	24V AC	1097g	Incandescent & Halogen Bulbs
TA250WDS24RE	120V AC 50/60Hz	2.08 A	24V DC	773g	Incandescent & Halogen Bulbs
TA250WDS24REO	120V AC 50/60Hz	2.08 A	24V DC	1097g	Incandescent & Halogen Bulbs

* Under confirmed thermal condition



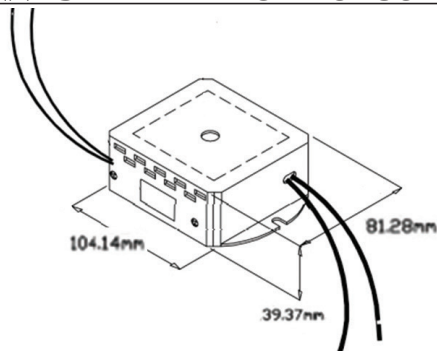
220-240V					
Model #	Input Voltage	Input Current	Output Voltage	Weight	Load Type
TU250WA24	220-240V AC 50/60Hz	1.14 A	24V AC	300g	Incandescent & Halogen Bulbs
TU250WDS24	220-240V AC 50/60Hz	1.14 A	24V DC	300g	Incandescent & Halogen Bulbs

220-240V					
Model #	Input Voltage	Input Current	Output Voltage	Weight	Load Type
TU250WA24RE	220-240V AC 50/60Hz	1.14 A	24V AC	773g	Incandescent & Halogen Bulbs
TU250WA24REO	220-240V AC 50/60Hz	1.14 A	24V AC	1097g	Incandescent & Halogen Bulbs
TU250WDS24RE	220-240V AC 50/60Hz	1.14 A	24V DC	773g	Incandescent & Halogen Bulbs
TU250WDS24REO	220-240V AC 50/60Hz	1.14 A	24V DC	1097g	Incandescent & Halogen Bulbs

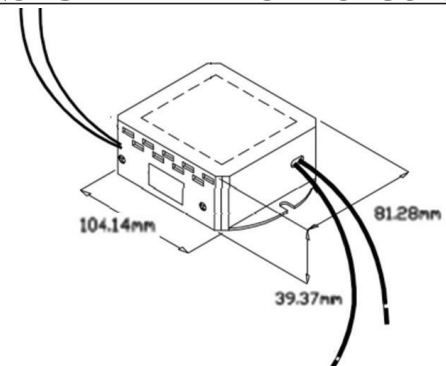
MECHANICAL SPECS.

Available Form Factors	Dimensions
Standard "E2"	104.1X81.3X39.4mm
Standard "E3"	104.1X81.3X39.4mm
"G2"	233.1X85.5X48.9mm
"G3"	280x103x56mm

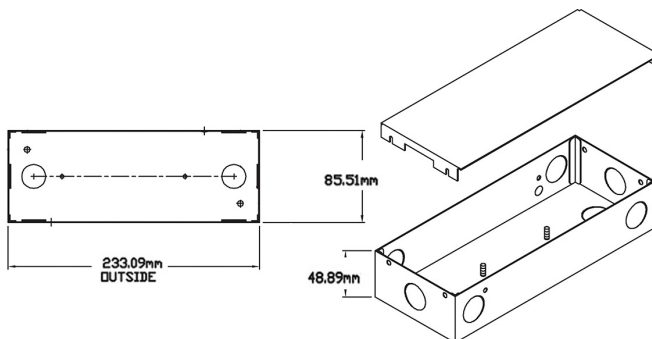
E2 - STANDARD AC PRODUCTS



E3 - STANDARD DC PRODUCTS



G2 - REMOTE(RE) MODELS ONLY



G3 - LED REMOTE (REO) MODELS ONLY

