



L.T.F. Low Voltage Electronic Power Supply

20W 24V AC/DC

TA20WA24 and TU20WA24 Series &
TA20WD24 and TU20WD24 Series



Efficiency	higher than 85%
Power Factor	>98%
Case TC*	90°C Max
Protection	Input/ Output
Storage	-30°C/ +90°C
Humidity	95% RH max
IP Rating	IP 60
Standard Dimming	ELV Dimmable
Special Dimming	Dimming Loop (DL)
Special Dimming	0-10V Dimming (D10)
Class	Class 2



FEATURES

- No load technology, works with both Halogen & LED AC loads **
- Isolated output power per NEC and UL safety requirements
- UL recognized/listed Class 2 power supply, meet UL 2108 requirements
- Auto-reset; Short circuit, Overload and Thermal protection
- Soft start
- Dimmable
- Low profile, small compact design to fit in most enclosures

ELECTRICAL SPECIFICATIONS

120V					
Model #	Input Voltage	Input Current	Output Voltage	Weight	Load Type
TA20WA24	120V AC 50/60Hz	0.16 A	24V AC	160g	Incandescent & Halogen Bulbs
TA20WA24LED	120V AC 50/60Hz	0.16 A	24V AC	160g	AC LED Bulbs, Incandescent & Halogen Bulbs
TA20WD24LED	120V AC 50/60Hz	0.16 A	24V DC	160g	LED Strips, LED Bulbs, Incandescent & Halogen Bulbs
TA20WA24DL	120V AC 50/60Hz	0.16 A	24V AC	170g	Incandescent & Halogen Bulbs
TA20WA24LEDDL	120V AC 50/60Hz	0.16 A	24V AC	170g	AC LED Bulbs, Incandescent & Halogen Bulbs
TA20WD24LEDDL	120V AC 50/60Hz	0.16 A	24V DC	170g	LED Strips, LED Bulbs, Incandescent & Halogen Bulbs
TA20WA24LEDD10	120V AC 50/60Hz	0.16 A	24V AC	180g	AC LED Bulbs, Incandescent & Halogen Bulbs
TA20WD24LEDD10	120V AC 50/60Hz	0.16 A	24V DC	180g	LED Strips, LED Bulbs, Incandescent & Halogen Bulbs

120V Remote					
Model #	Input Voltage	Input Current	Output Voltage	Weight	Load Type
TA20WA24LEDRE	120V AC 50/60Hz	0.16 A	24V AC	530g	AC LED Bulbs, Incandescent & Halogen Bulbs
TA20WA24LEDREO	120V AC 50/60Hz	0.16 A	24V AC	622g	AC LED Bulbs, Incandescent & Halogen Bulbs
TA20WD24LEDRE	120V AC 50/60Hz	0.16 A	24V DC	530g	LED Strips, LED Bulbs, Incandescent & Halogen Bulbs
TA20WD24LEDREO	120V AC 50/60Hz	0.16 A	24V DC	622g	LED Strips, LED Bulbs, Incandescent & Halogen Bulbs

* Under confirmed thermal condition



120V Remote					
Model #	Input Voltage	Input Current	Output Voltage	Weight	Load Type
TA20WA24LEDD10RE	120V AC 50/60Hz	0.16 A	24V AC	530g	AC LED Bulbs, Incandescent & Halogen Bulbs
TA20WA24LEDD10REO	120V AC 50/60Hz	0.16 A	24V AC	642g	AC LED Bulbs, Incandescent & Halogen Bulbs
TA20WD24LEDD10RE	120V AC 50/60Hz	0.16 A	24V DC	530g	LED Strips, LED Bulbs, Incandescent & Halogen Bulbs
TA20WD24LEDD10REO	120V AC 50/60Hz	0.16 A	24V DC	642g	LED Strips, LED Bulbs, Incandescent & Halogen Bulbs

277V					
Model #	Input Voltage	Input Current	Output Voltage	Weight	Load Type
TE20WA24	277V AC 50/60Hz	0.07 A	24V AC	160g	Incandescent & Halogen Bulbs
TE20WA24LED	277V AC 50/60Hz	0.07 A	24V AC	160g	AC LED Bulbs, Incandescent & Halogen Bulbs
TE20WD24LED	277V AC 50/60Hz	0.07 A	24V DC	160g	LED Strips, LED Bulbs, Incandescent & Halogen Bulbs
TE20WA24DL	277V AC 50/60Hz	0.07 A	24V AC	170g	Incandescent & Halogen Bulbs
TE20WA24LEDDL	277V AC 50/60Hz	0.07 A	24V AC	170g	AC LED Bulbs, Incandescent & Halogen Bulbs
TE20WD24LEDDL	277V AC 50/60Hz	0.07 A	24V DC	170g	LED Strips, LED Bulbs, Incandescent & Halogen Bulbs
TE20WA24LEDD10	277V AC 50/60Hz	0.07 A	24V AC	180g	AC LED Bulbs, Incandescent & Halogen Bulbs
TE20WD24LEDD10	277V AC 50/60Hz	0.07 A	24V DC	180g	LED Strips, LED Bulbs, Incandescent & Halogen Bulbs

277V Remote					
Model #	Input Voltage	Input Current	Output Voltage	Weight	Load Type
TE20WA24LEDRE	277V AC 50/60Hz	0.07 A	24V AC	530g	AC LED Bulbs, Incandescent & Halogen Bulbs
TE20WA24LEDREO	277V AC 50/60Hz	0.07 A	24V AC	622g	AC LED Bulbs, Incandescent & Halogen Bulbs
TE20WD24LEDRE	277V AC 50/60Hz	0.07 A	24V DC	530g	LED Strips, LED Bulbs, Incandescent & Halogen Bulbs
TE20WD24LEDREO	277V AC 50/60Hz	0.07 A	24V DC	622g	LED Strips, LED Bulbs, Incandescent & Halogen Bulbs
TE20WA24LEDD10RE	277V AC 50/60Hz	0.07 A	24V AC	530g	AC LED Bulbs, Incandescent & Halogen Bulbs
TE20WA24LEDD10REO	277V AC 50/60Hz	0.07 A	24V AC	642g	AC LED Bulbs, Incandescent & Halogen Bulbs
TE20WD24LEDD10RE	277V AC 50/60Hz	0.07 A	24V DC	530g	LED Strips, LED Bulbs, Incandescent & Halogen Bulbs
TE20WD24LEDD10REO	277V AC 50/60Hz	0.07 A	24V DC	642g	LED Strips, LED Bulbs, Incandescent & Halogen Bulbs

220-240V					
Model #	Input Voltage	Input Current	Output Voltage	Weight	Load Type
TU20WA24	220-240V AC 50/60Hz	0.09 A	24V AC	160g	Incandescent & Halogen Bulbs
TU20WA24LED	220-240V AC 50/60Hz	0.09 A	24V AC	160g	AC LED Bulbs, Incandescent & Halogen Bulbs
TU20WD24LED	220-240V AC 50/60Hz	0.09 A	24V DC	160g	LED Strips, LED Bulbs, Incandescent & Halogen Bulbs
TU20WA24DL	220-240V AC 50/60Hz	0.09 A	24V AC	160g	Incandescent & Halogen Bulbs
TU20WA24LEDDL	220-240V AC 50/60Hz	0.09 A	24V AC	160g	AC LED Bulbs, Incandescent & Halogen Bulbs



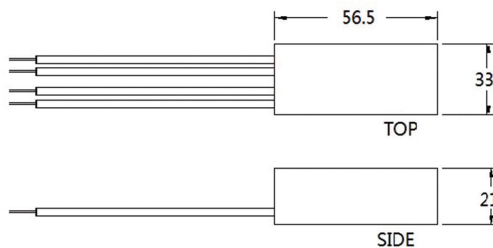
220-240V					
Model #	Input Voltage	Input Current	Output Voltage	Weight	Load Type
TU20WD24LEDDL	220-240V AC 50/60Hz	0.09 A	24V DC	160g	LED Strips, LED Bulbs, Incandescent & Halogen Bulbs
TU20WA24LEDD10	220-240V AC 50/60Hz	0.09 A	24V AC	160g	AC LED Bulbs, Incandescent & Halogen Bulbs
TU20WD24LEDD10	220-240V AC 50/60Hz	0.09 A	24V DC	160g	LED Strips, LED Bulbs, Incandescent & Halogen Bulbs

220-240V Remote					
Model #	Input Voltage	Input Current	Output Voltage	Weight	Load Type
TU20WA24LEDRE	220-240V AC 50/60Hz	0.09 A	24V AC	530g	AC LED Bulbs, Incandescent & Halogen Bulbs
TU20WA24LEDREO	220-240V AC 50/60Hz	0.09 A	24V AC	622g	AC LED Bulbs, Incandescent & Halogen Bulbs
TU20WD24LEDRE	220-240V AC 50/60Hz	0.09 A	24V DC	530g	LED Strips, LED Bulbs, Incandescent & Halogen Bulbs
TU20WD24LEDREO	220-240V AC 50/60Hz	0.09 A	24V DC	622g	LED Strips, LED Bulbs, Incandescent & Halogen Bulbs
TU20WA24LEDD10RE	220-240V AC 50/60Hz	0.09 A	24V AC	530g	AC LED Bulbs, Incandescent & Halogen Bulbs
TU20WA24LEDD10REO	220-240V AC 50/60Hz	0.09 A	24V AC	622g	AC LED Bulbs, Incandescent & Halogen Bulbs
TU20WD24LEDD10RE	220-240V AC 50/60Hz	0.09 A	24V DC	530g	LED Strips, LED Bulbs, Incandescent & Halogen Bulbs
TU20WD24LEDD10REO	220-240V AC 50/60Hz	0.09 A	24V DC	622g	LED Strips, LED Bulbs, Incandescent & Halogen Bulbs

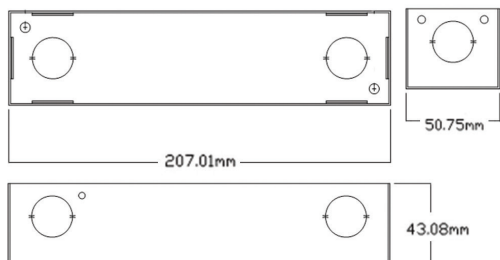
MECHANICAL SPECS. AC MODELS

Available Form Factors	Dimensions
Standard "B2"	56.5X33X21mm
"G1"	207X50.8X43.1mm
"G4"	238X66X48mm

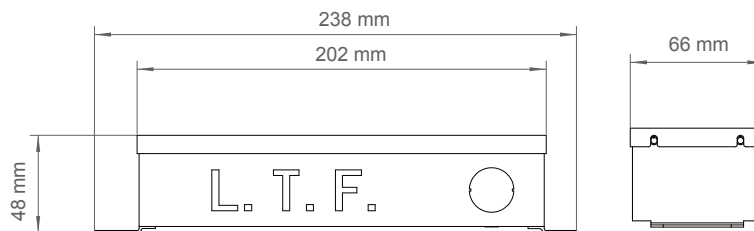
B2 - STANDARD



G1 - REMOTE(RE) MODELS ONLY



G4 - REMOTE (REO) MODELS ONLY

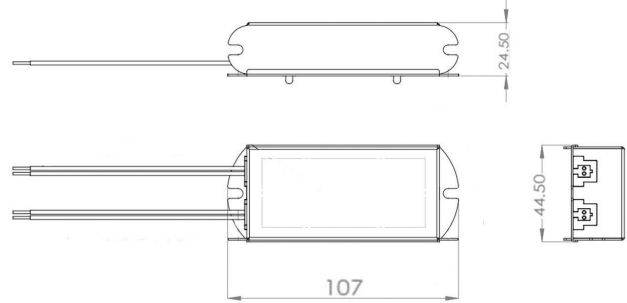




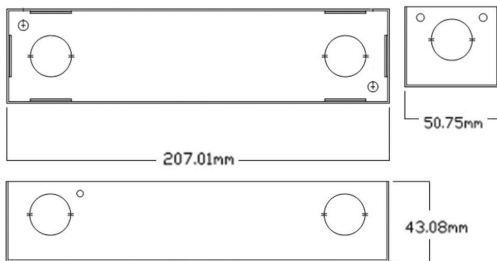
MECHANICAL SPECS. DC MODELS

Available Form Factors	Dimensions
Standard "E"	107X44.5X24.5mm
"G1"	207X50.8X43.1mm
"G4"	238X66X48mm

E - STANDARD



G1 - REMOTE(RE) MODELS ONLY



G4 - REMOTE (REO) MODELS ONLY

