



# L.T.F. Low Voltage Electronic Power Supply



## 200W 24V AC/DC TA200WA24, TU200WA24 Series & TA200WD24, TU200WD24 Series



Efficiency	higher than 85%
Power Factor	>98%
Case TC*	90C° Max
Protection	Input/ Output
Storage	-30°C/ +90°C
Humidity	95% RH max
IP Rating	IP 60
Dimming	ELV Dimmable



Year Warranty

### FEATURES

- No load technology, works with both Halogen & LED AC loads \*\*
- Isolated output power per NEC and UL safety requirements
- UL recognized/listed Class 2 power supply, meet UL 2108 requirements
- Auto-reset; Short circuit, Overload and Thermal protection
- Soft start
- Dimmable
- Low profile, small compact design to fit in most enclosures

### ELECTRICAL SPECIFICATIONS

120V					
Model #	Input Voltage	Input Current	Output Voltage	Weight	Load Type
TA200WA24	120V AC 50/60Hz	1.67 A	24V AC	300g	Incandescent & Halogen Bulbs
TA200WDS24	120V AC 50/60Hz	1.67 A	24V DC	300g	Incandescent & Halogen Bulbs
TA200WDS24LED	120V AC 50/60Hz	1.67 A	24V DC	300g	LED Strips, LED Bulbs, Incandescent & Halogen Bulbs

120V Remote					
Model #	Input Voltage	Input Current	Output Voltage	Weight	Load Type
TA200WDS24RE	120V AC 50/60Hz	1.67 A	24V DC	773g	Incandescent & Halogen Bulbs
TA200WDS24REO	120V AC 50/60Hz	1.67 A	24V DC	1097g	Incandescent & Halogen Bulbs
TA200WDS24LEDRE	120V AC 50/60Hz	1.67 A	24V DC	773g	LED Strips, LED Bulbs, Incandescent & Halogen Bulbs
TA200WDS24LEDREO	120V AC 50/60Hz	1.67 A	24V DC	1097g	LED Strips, LED Bulbs, Incandescent & Halogen Bulbs

\* Under confirmed thermal condition

L.T.F. L.L.C. PHONE: (847) 498-5832 FAX: (773) 337-5628 EMAIL: sales@ltftechnology.com  
Company's Address: 11966 Oak Creek Pkwy Unit H, Huntley, IL 60142 U.S.A. [www.ltftechnology.com](http://www.ltftechnology.com)

© L.T.F., L.L.C. All rights reserved. L.T.F. reserves the right to change specification for product improvements without notification



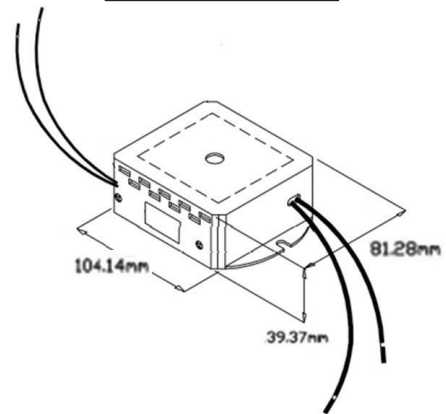
220-240V					
Model #	Input Voltage	Input Current	Output Voltage	Weight	Load Type
TU200WA24	220-240V AC 50/60Hz	0.91 A	24V AC	300g	Incandescent & Halogen Bulbs
TU200WDS24	220-240V AC 50/60Hz	0.91 A	24V DC	300g	Incandescent & Halogen Bulbs
TU200WDS24LED	220-240V AC 50/60Hz	0.91 A	24V DC	300g	LED Strips, LED Bulbs, Incandescent & Halogen Bulbs

220-240V					
Model #	Input Voltage	Input Current	Output Voltage	Weight	Load Type
TU200WA24RE	220-240V AC 50/60Hz	0.91 A	24V AC	773g	Incandescent & Halogen Bulbs
TU200WA24REO	220-240V AC 50/60Hz	0.91 A	24V AC	1097g	Incandescent & Halogen Bulbs
TU200WDS24RE	220-240V AC 50/60Hz	0.91 A	24V DC	773g	Incandescent & Halogen Bulbs
TU200WDS24REO	220-240V AC 50/60Hz	0.91 A	24V DC	1097g	Incandescent & Halogen Bulbs
TU200WDS24LEDRE	220-240V AC 50/60Hz	0.91 A	24V DC	773g	LED Strips, LED Bulbs, Incandescent & Halogen Bulbs
TU200WDS24LEDREO	220-240V AC 50/60Hz	0.91 A	24V DC	1097g	LED Strips, LED Bulbs, Incandescent & Halogen Bulbs

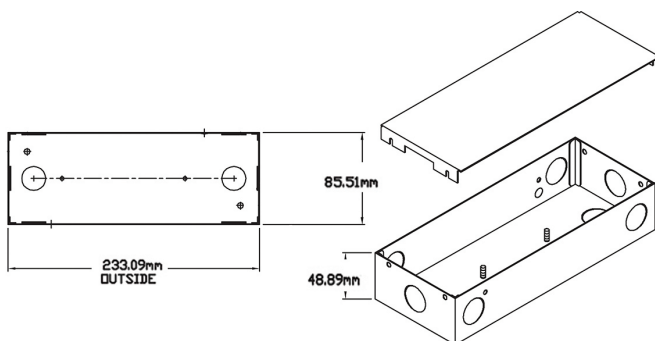
MECHANICAL SPECS. FOR ALL AC PRODUCTS

Available Form Factors	Dimensions
Standard "E2"	104.1X81.3X39.4mm
"G2"	233.1X85.5X48.9mm
"G3"	280x103x56mm

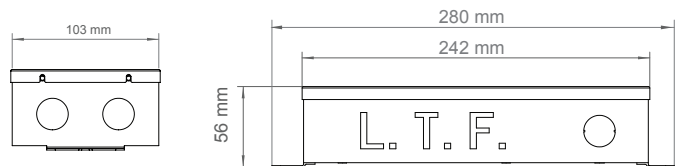
E2 - STANDARD



G2 - REMOTE(RE) MODELS ONLY



G3 - LED REMOTE (REO) MODELS ONLY

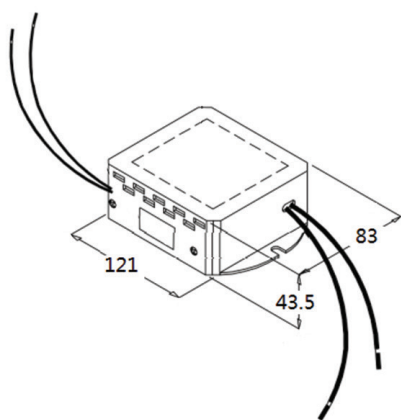




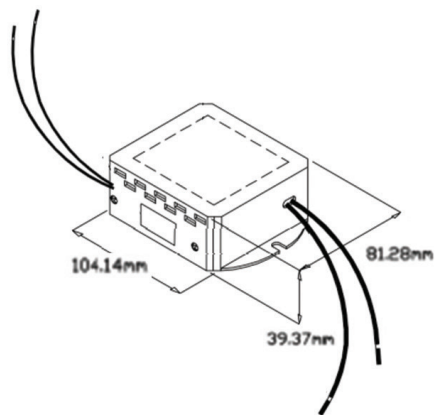
MECHANICAL SPECS. FOR ALL DC PRODUCTS

Available Form Factors	Dimensions
Standard "E4"	121X83X43.5mm
"E3"	104.1X81.3X39.4mm
"G2"	233.1X85.5X48.9mm

E4 - STANDARD



E3 - DS MODELS ONLY



G2 - REMOTE(RE) MODELS ONLY

G3 - LED REMOTE (REO) MODELS ONLY

