



L.T.F Low Voltage Electronic Power Supply



175W 24V AC/DC TA175WA24, TU175WA24 Series & TA175WD24, TU175WD24 Series



Efficiency	higher than 85%
Power Factor	>98%
Case TC*	90°C Max
Protection	Input/ Output
Storage	-30°C/ +90°C
Humidity	95% RH max
IP Rating	IP 60
Standard Dimming	ELV Dimmable
Special Dimming	0-10V Dimming (D10)



FEATURES

- No load technology, works with both Halogen & LED AC loads **
- Isolated output power per NEC and UL safety requirements
- UL recognized/listed Class 2 power supply, meet UL 2108 requirements
- Auto-reset; Short circuit, Overload and Thermal protection
- Soft start
- Dimmable
- Low profile, small compact design to fit in most enclosures

ELECTRICAL SPECIFICATIONS

120V					
Model #	Input Voltage	Input Current	Output Voltage	Weight	Load Type
TA175WA24	120V AC 50/60Hz	1.46 A	24V AC	300g	Incandescent & Halogen Bulbs
TA175WDS24	120V AC 50/60Hz	1.46 A	24V DC	300g	Incandescent & Halogen Bulbs

120V Remote					
Model #	Input Voltage	Input Current	Output Voltage	Weight	Load Type
TA175WDS24RE	120V AC 50/60Hz	1.46 A	24V DC	773g	Incandescent & Halogen Bulbs
TA175WDS24REO	120V AC 50/60Hz	1.46 A	24V DC	1097g	Incandescent & Halogen Bulbs

220-240V					
Model #	Input Voltage	Input Current	Output Voltage	Weight	Load Type
TU175WA24	220-240V AC 50/60Hz	0.8 A	24V AC	300g	Incandescent & Halogen Bulbs
TU175WDS24	220-240V AC 50/60Hz	0.8 A	24V DC	300g	Incandescent & Halogen Bulbs

* Under confirmed thermal condition



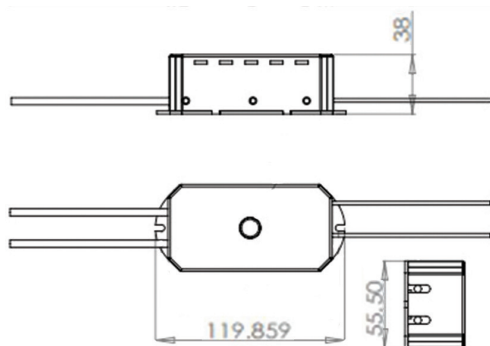
220-240V Remote

Model #	Input Voltage	Input Current	Output Voltage	Weight	Load Type
TU175WDS24RE	220-240V AC 50/60Hz	0.8 A	24V DC	773g	Incandescent & Halogen Bulbs
TU175WDS24REO	220-240V AC 50/60Hz	0.8 A	24V DC	1097g	Incandescent & Halogen Bulbs

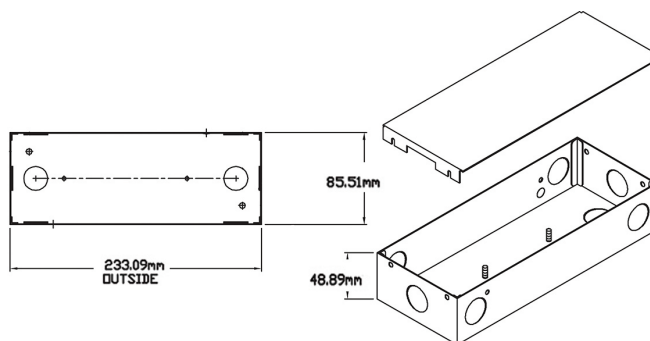
MECHANICAL SPECS.

Available Form Factors	Dimensions
Standard "E6"	120X55.5X38mm
"G2"	233.1X85.5X48.8mm
"G3"	280x103x56mm

E6 - STANDARD



G2 - LED REMOTE (RE) MODELS ONLY



G3 - LED REMOTE (REO) MODELS ONLY

