



# L.T.F. Low Voltage Electronic Power Supply

## 175W 12V AC/DC TA175WA12, TU175WA12 Series & TA175WD12, TU175WD12 Series



|                  |                     |
|------------------|---------------------|
| Efficiency       | higher than 85%     |
| Power Factor     | >98%                |
| Case TC*         | 90°C Max            |
| Protection       | Input/ Output       |
| Storage          | -30°C/ +90°C        |
| Humidity         | 95% RH max          |
| IP Rating        | IP 60               |
| Standard Dimming | ELV Dimmable        |
| Special Dimming  | 0-10V Dimming (D10) |



### FEATURES

- No load technology, works with both Halogen & LED AC loads \*\*
- Isolated output power per NEC and UL safety requirements
- UL recognized/listed Class 2 power supply, meet UL 2108 requirements
- Auto-reset; Short circuit, Overload and Thermal protection
- Soft start
- Dimmable
- Low profile, small compact design to fit in most enclosures

### ELECTRICAL SPECIFICATIONS

| 120V       |                 |               |                |        |                              |
|------------|-----------------|---------------|----------------|--------|------------------------------|
| Model #    | Input Voltage   | Input Current | Output Voltage | Weight | Load Type                    |
| TA175WA12  | 120V AC 50/60Hz | 1.46 A        | 12V AC         | 300g   | Incandescent & Halogen Bulbs |
| TA175WDS12 | 120V AC 50/60Hz | 1.46 A        | 12V DC         | 300g   | Incandescent & Halogen Bulbs |

| 120V Remote   |                 |               |                |        |                              |
|---------------|-----------------|---------------|----------------|--------|------------------------------|
| Model #       | Input Voltage   | Input Current | Output Voltage | Weight | Load Type                    |
| TA175WDS12RE  | 120V AC 50/60Hz | 1.46 A        | 12V DC         | 773g   | Incandescent & Halogen Bulbs |
| TA175WDS12REO | 120V AC 50/60Hz | 1.46 A        | 12V DC         | 1097g  | Incandescent & Halogen Bulbs |

| 220-240V   |                     |               |                |        |                              |
|------------|---------------------|---------------|----------------|--------|------------------------------|
| Model #    | Input Voltage       | Input Current | Output Voltage | Weight | Load Type                    |
| TU175WA12  | 220-240V AC 50/60Hz | 0.8 A         | 12V AC         | 300g   | Incandescent & Halogen Bulbs |
| TU175WDS12 | 220-240V AC 50/60Hz | 0.8 A         | 12V DC         | 300g   | Incandescent & Halogen Bulbs |

\* Under confirmed thermal condition

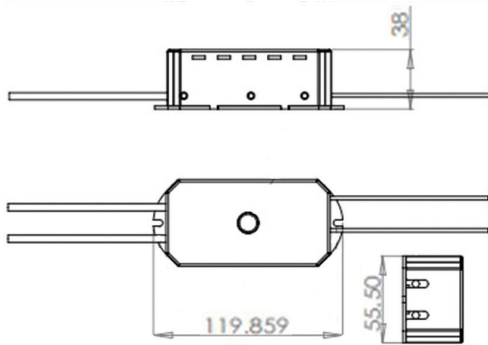


| 220-240V Remote |                     |               |                |        |                              |
|-----------------|---------------------|---------------|----------------|--------|------------------------------|
| Model #         | Input Voltage       | Input Current | Output Voltage | Weight | Load Type                    |
| TU175WDS12RE    | 220-240V AC 50/60Hz | 0.8 A         | 12V DC         | 773g   | Incandescent & Halogen Bulbs |
| TU175WDS12REO   | 220-240V AC 50/60Hz | 0.8 A         | 12V DC         | 1097g  | Incandescent & Halogen Bulbs |

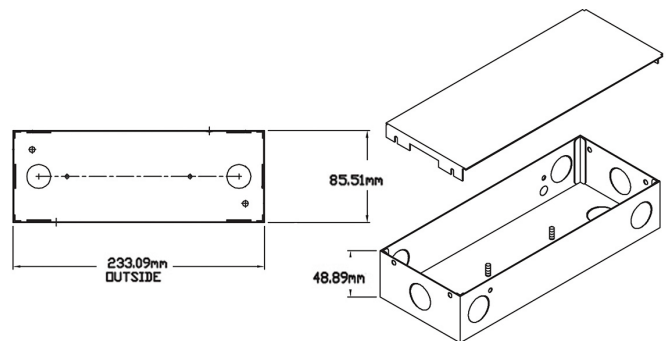
MECHANICAL SPECS.

| Available Form Factors | Dimensions        |
|------------------------|-------------------|
| Standard "E6"          | 120X55.5X38mm     |
| "G2"                   | 233.1X85.5X48.8mm |
| "G3"                   | 280x103x56mm      |

E6 - STANDARD



G2 - LED REMOTE (RE) MODELS ONLY



G3 - LED REMOTE (REO) MODELS ONLY

