



1000 Lumen Omnidirectional COB LED & 15W Driver
CRI 95+, Dim-to-Warm, Title 24 Compliant
P/N: QLUXCOBI1512932WD-KT

COBi KIT



LED DRIVER FEATURES

- Title 24 Compliant Flicker-Free Operation
- Fully Dimmable with Triac & ELV Dimmers
- UL & ETL recognized/listed, meets UL 8750, 1310 requirements
- Isolated output power per NEC and UL safety requirements
- Auto-reset ; short circuit, overload and thermal protection
- Low profile, small form factor, junction box mountable
- Class 2 power supply
- Efficient, High power factor > 0.90
- Treaded nipple mount heat sink design for easy installation

COBi CHIP-ON-BOARD LED

Typical Wattage	12W
Typical Fwd Current	350mA
CRI	95+
R9	95+
CCT	3000K dims to 1800K
Typical Lumens	1000 lm

DIMMABLE LED DRIVER

Wattage	15W
Efficiency	> 80%
Power Factor	> 0.90
Case TC	90°C Max.
Humidity	95% RH Max.
IP Rating	IP65
Dimming	Triac & ELV
Class	Class 2 Power Supply

COBi FEATURES

- High color rendering index: CRI 96+, R9 95+
- Works with standard driver & dimmers
- Dim-to-Warm; CCT changes from 3000K to 1800K when dimmed
- LM-80 compliant LEDs
- Tight binning less than 3 MacAdam Ellipses
- Uniform and crisp light source intensity
- Extra thin low profile
- Low heat generation, easy thermal management



Driver Model Number	Input Voltage	Wattage	Load	Output Current	Dimming
DA15W350C1042-3001	120V AC, 0.11A, 60 Hz	15W	10-42V DC	350mA	Triac & ELV

COBi LED Model Number	Typical Wattage	Typical Forward Current	Typical Forward Voltage
QLUXCOBI151293018WD	12W	350mA	35V DC

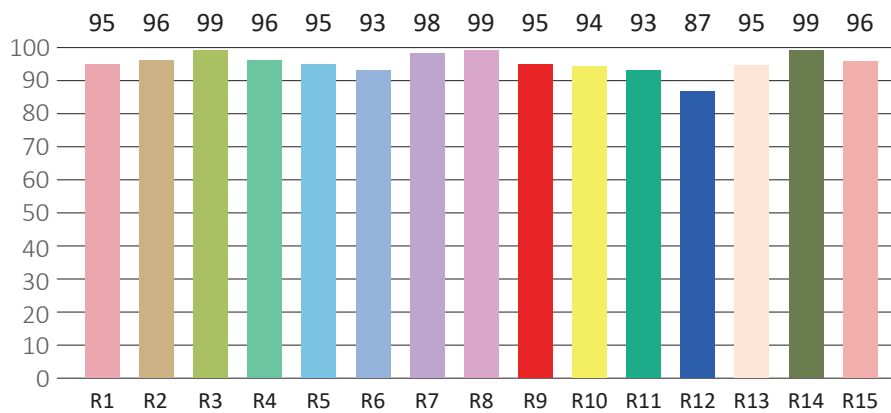


1000 Lumen Omnidirectional COB LED & 15W Driver
CRI 95+, Dim-to-Warm, Title 24 Compliant
P/N: QLUXCOBI1512932WD-KT

COBi Photometric Parameters*	
Luminous Flux:	≈ 1200 lm
Radiant Power:	1790 mW
Efficacy:	≈ 82 lm/W

* Test result shown based on 3000 CCT, 96 CRI model

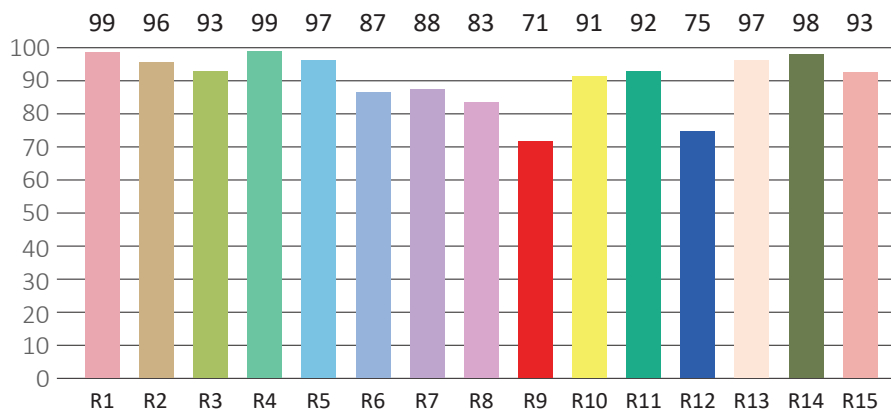
COBi CRI TEST RESULTS - 3000K



R1=95	R2=96	R3=99	R4=96	R5=95	R6=93	R7=98	R8=99
R9=95	R10=94	R11=93	R12=87	R13=95	R14=99	R15=96	

* Test result shown based on 3000 CCT, 96 CRI model

COBi CRI TEST RESULTS - 1800K



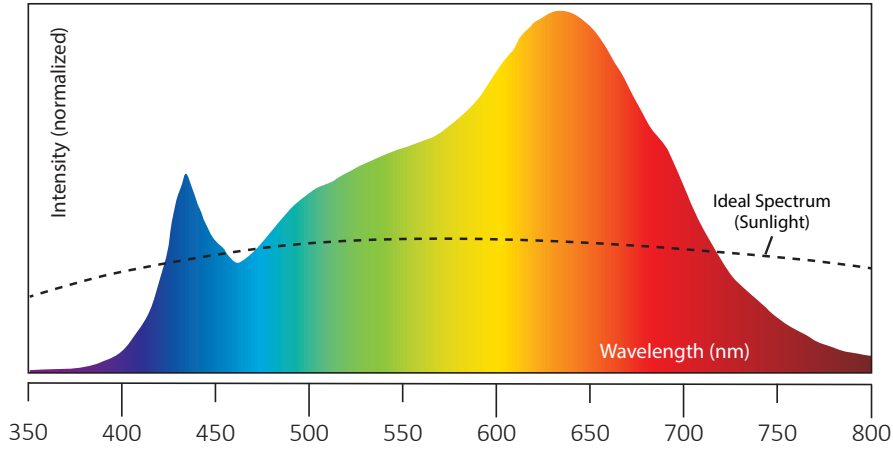
R1=99	R2=96	R3=93	R4=99	R5=97	R6=87	R7=88	R8=83
R9=71	R10=91	R11=92	R12=75	R13=97	R14=98	R15=93	

* Test result shown based on 1800 CCT, 96 CRI model

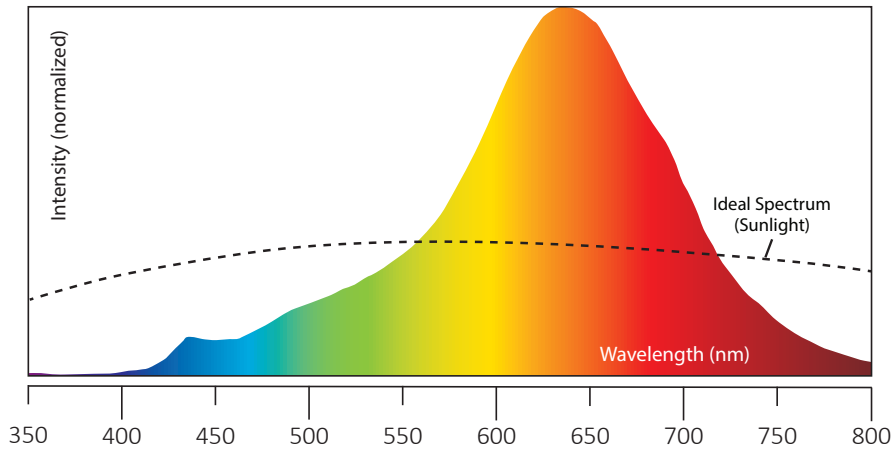


1000 Lumen Omnidirectional COB LED & 15W Driver
CRI 95+, Dim-to-Warm, Title 24 Compliant
P/N: QLUXCOBI1512932WD-KT

SPECTRORADIOMETRIC CHARACTERISTICS AT 3000K



SPECTRORADIOMETRIC CHARACTERISTICS AT 1800K



CIE Colorimetric Parameters*	
Chromaticity Coordinates	x=0.4338 y=0.4030
CCT	3052K
Peak Wavelength	635 nm
Dominant Wavelength	582 nm
Rendering Index	96.4
Color Ratio	R=42.8%, G=47.6%, B=9.6%
Half Bandwidth	177.8 nm
Color Purity	0.4443

* Test result shown based on 3000 CCT, 96 CRI model



1000 Lumen Omnidirectional COB LED & 15W Driver
CRI 95+, Dim-to-Warm, Title 24 Compliant
P/N: QLUXCOBI1512932WD-KT

LED DRIVER ABSOLUTE MAXIMUM RATINGS (Ta=25°C)

Parameter	Symbol	Value	Unit
Voltage	V in	132	Vac
LED Solder Temperature	Ts	-20~+85	°C
Storage Temperature	Tstg	-40~+100	°C
ESD Sensitivity (HBM)	---	±4000	V
Surge	---	1000	Vac

COBi MODULE ABSOLUTE MAXIMUM RATINGS (Ta=25°C)

Parameter	Symbol	Value	Unit
Forward Current	If	420	mA
Peak Power	P	16.9	W
Reverse Voltage	vr	-15	V
Operating Temperature	TOPR	-30~+100	°C
Storage Temperature	Tstg	-40~+100	°C
Hand Soldering Condition	Tsld	3.5sec @ 350°C	sec
Case Temperature	Tc	100	°C
LED Junction Temperature	Tj	125	°C
Temperature of Central Silicon Surface	Ts	125@IRDS Test	°C

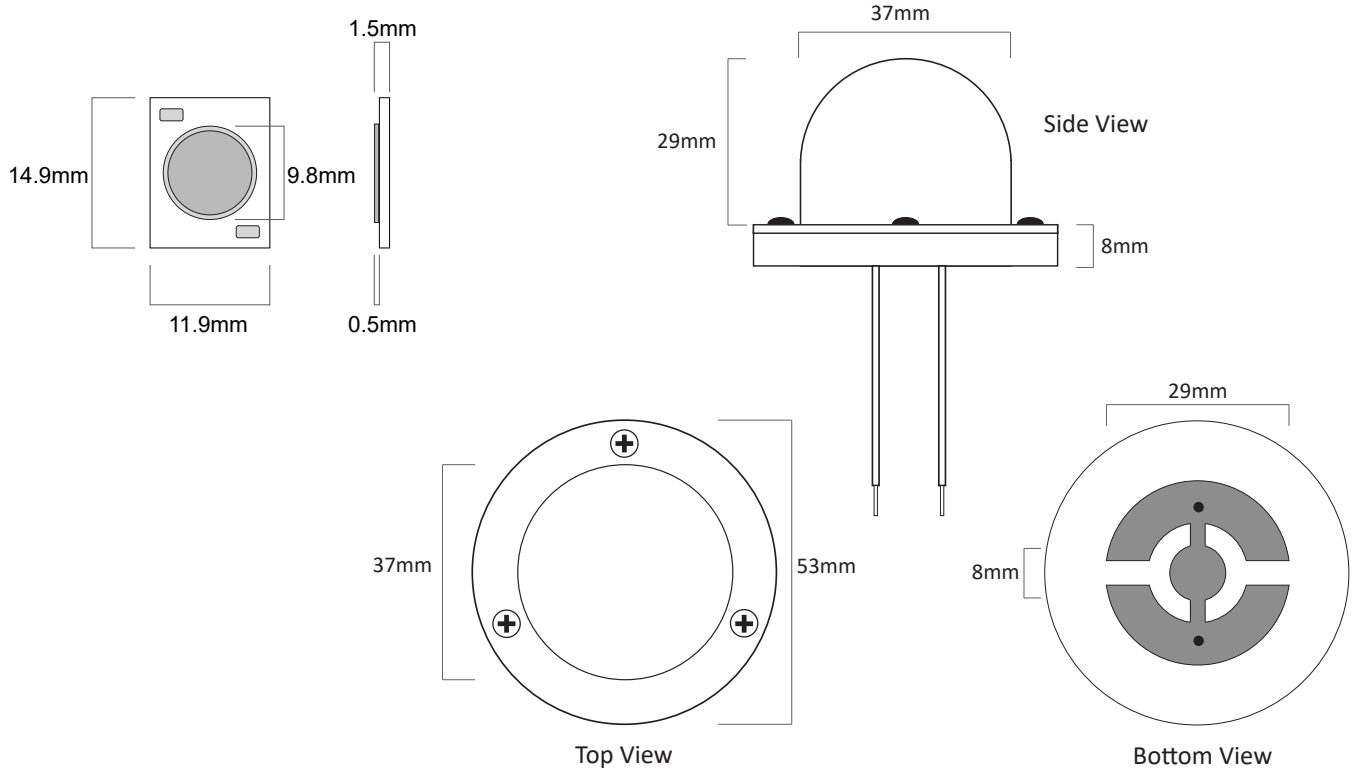
COBi MODULE CHARACTERISTICS (Ta=25°C)

CCT	Item	Symbol	Condition	Min.	Typ.	Max.	Unit
1800K	Forward Voltage	VF	I = 50mA	28	(34)	36	V
	Luminous Flux	Φ		116	(134)	--	lm
	Chromacity Coordinates	x		--	(0.5357)	--	--
		y		--	(0.4160)	--	--
	General Color Rendering Index	Ra		81	(85)	--	--
3000K	Forward Voltage	VF	I = 350mA	31	(35)	39	V
	Luminous Flux	Φ		1013	(1150)	--	lm
	Chromacity Coordinates	x		--	(0.4338)	--	--
		y		--	(0.4030)	--	--
	General Color Rendering Index	Ra		95	(96)	--	--



1000 Lumen Omnidirectional COB LED & 15W Driver
CRI 95+, Dim-to-Warm, Title 24 Compliant
P/N: QLUXCOBi1512932WD-KT

COBi, HEAT SINK & REFLECTOR MECHANICAL SPECS



DRIVER MECHANICAL SPECS

Available Form Factors	Dimensions
"T11"	93 (77) x 31 x 21mm

