



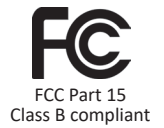
L.T.F

LED Driver- CLASS 2

96W DS96W48V 100-277V Series 48V Constant Voltage



Efficiency	higher than 83%
Power Factor	>95%
Case TC*	90°C Max.
Protection	Input / Output
Storage	-30°C / +90°C
Humidity	95% RH Max.
IP Rating	IP 67
Class	Class 2 Power Supply
Dimming	0-10V Option Available



FEATURES

- Universal input voltage; 100-277V AC
- Exceeds Title 24 requirements
- Isolated output power per NEC and UL safety requirements
- UL recognized / Listed, UL8750, UL1310
- Auto-reset ; Short circuit, Overload and Thermal protection
- Superior thermal performance
- Aluminum case with high W/m.K encapsulating material
- Low profile, small form factor.
- Class 2 power supply and other than Class 2 options
- Efficient, high power factor, low THD.
- Constant Current and Constant Voltage models

ELECTRICAL SPECIFICATIONS

Model #	Input	Output Voltage	Output Current	Dimming	Available Form Factors
DS96W48VND-0020	100-277V AC 50/60Hz	48V DC	2000mA	Non Dimmable	L20
DS96W48V010-0020	100-277V AC 50/60Hz	48V DC	2000mA	0-10V Dimmable	L20

* Ask for more information



L.T.F

LED Driver- CLASS 2

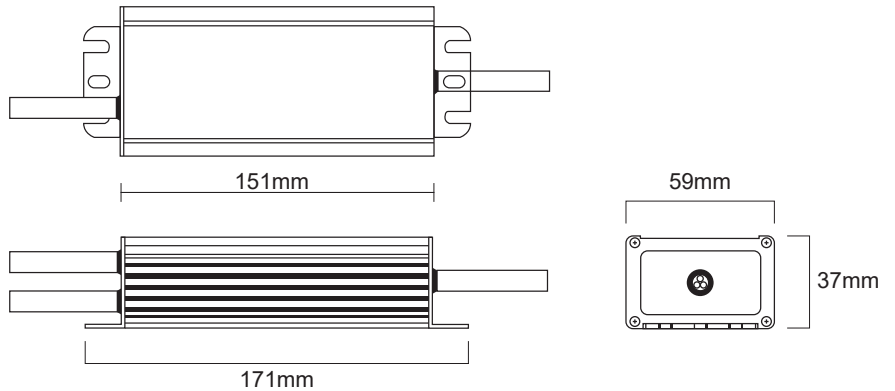
**96W DS96W48V 100-277V Series
48V Constant Voltage**



MECHANICAL SPECS

L20

Available Form Factors	Dimensions
"L20"	151 (171)x59x37mm

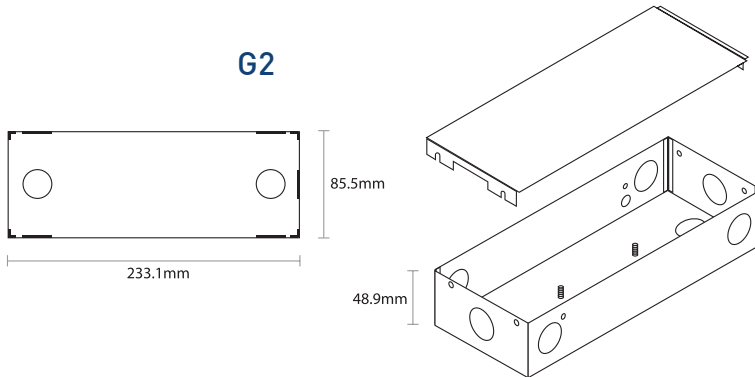


REMOTE ENCLOSURES - UL LISTED

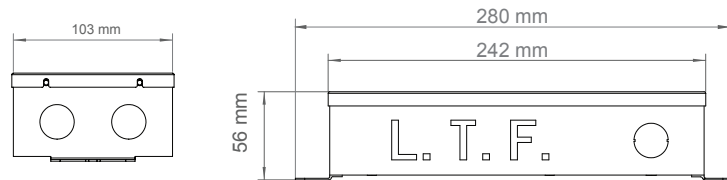
Model	Enclosure Type	Enclosure Dimensions
DS96W48VNDRE-0020	G2 (Damp Rated)	233.1 x 85.5 x 48.9mm
DS96W48VNDREO-0020	G3 (Wet Rated)	280 x 103 x 56mm



G2



G3



LED Driver - DS Series - Class 2