



L.T.F.

Dimmable Low Voltage LED Driver- CLASS 2

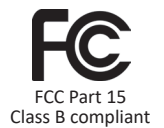


50W DS50W-3002 120-277V Series
Constant Current

UNIDRIVER



Efficiency	higher than 83%
Power Factor	>95%
Case TC	90C° Max.
Protection	Input / Output
Storage	-30°C / +90°C
Humidity	95% RH Max.
IP Rating	IP 44
Class	Class 2 Power Supply
Dimming	0-10V, TRIAC, ELV



FEATURES

- Universal dimmable; 0-10V, TRIAC, and ELV dimming
- Universal input voltage; 120-277V AC
- Exceeds Title 24 requirements
- Isolated output power per NEC and UL safety requirements
- UL recognized / Listed, UL8750, UL1310
- Auto-reset ; Short circuit, Overload and Thermal protection
- Superior thermal performance
- Aluminum case with high W/m.K encapsulating material
- Low profile, small form factor.
- Class 2 power supply and other than Class 2 options
- Efficient, high power factor, low THD.
- Constant current and constant voltage models

ELECTRICAL SPECIFICATIONS

Constant Current				
Model #	Input	Output Voltage	Output Current	Available Form Factors
DS50W700CF5UD-3002	120-277V AC 47/63Hz	56-71V DC	700mA	F5
DS50W900CF5UD-3002	120-277V AC 47/63Hz	41-55V DC	900mA	F5
DS50W1100CF5UD-3002	120-277V AC 47/63Hz	31-46V DC	1100mA	F5
DS50W1400CF5UD-3002	120-277V AC 47/63Hz	21-36V DC	1400mA	F5
DS50W1800CF5UD-3002	120-277V AC 47/63Hz	13-28V DC	1800mA	F5
DS50W2100CF5UD-3002	120-277V AC 47/63Hz	9-24V DC	2100mA	F5
DS50W2400CF5UD-3002	120-277V AC 47/63Hz	6-21V DC	2400mA	F5

* Ask for more information



L.T.F

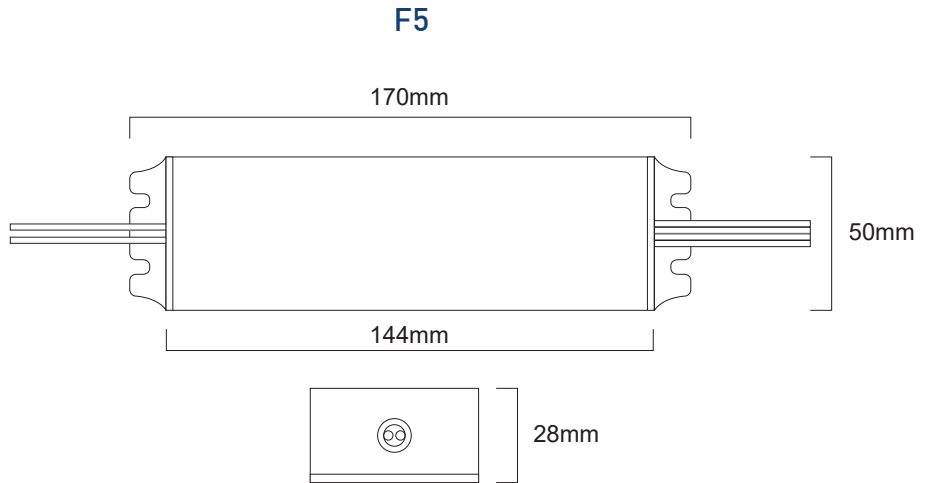
Dimmable Low Voltage LED Driver- CLASS 2

**50W DS50W-3002 120-277V Series
Constant Current**



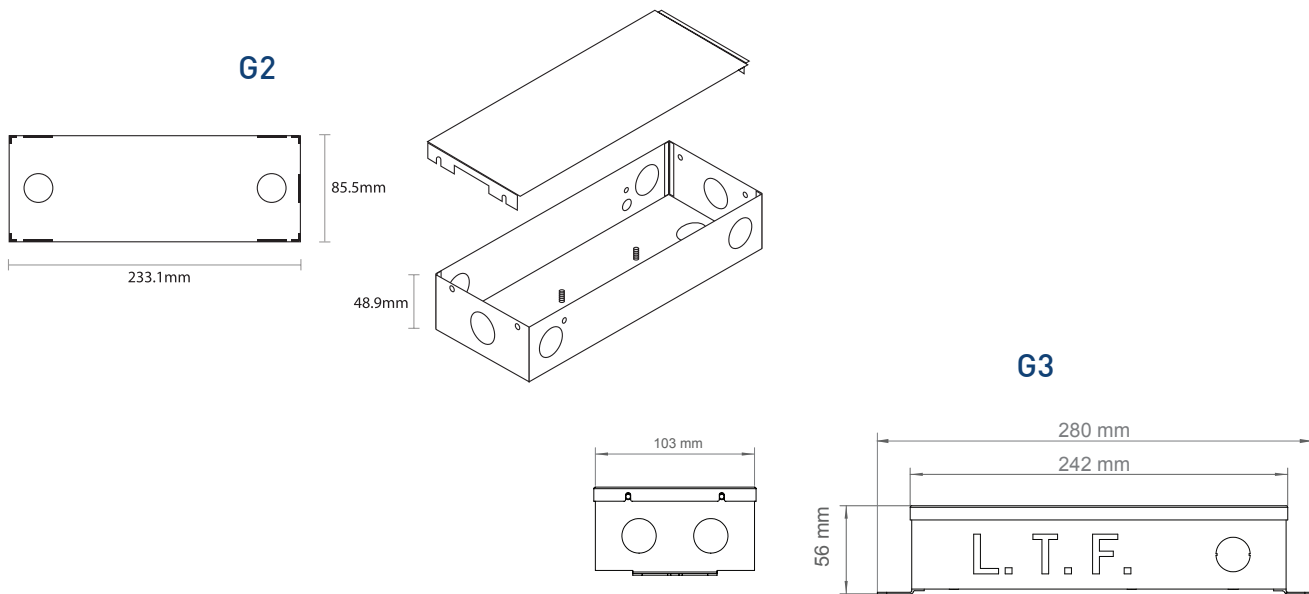
MECHANICAL SPECS

Available Form Factors	Dimensions
"F5"	170 (144)x50x28mm



REMOTE ENCLOSURES - UL LISTED

Model	Enclosure Type	Enclosure Dimensions
DS50W700CF5UDRE-3002	G2 (Damp Rated)	233.1 x 85.5 x 48.9mm
DS50W700CF5UDREO-3002	G3 (Wet Rated)	280 x 103 x 56mm



LED Driver - DS Series - Class 2