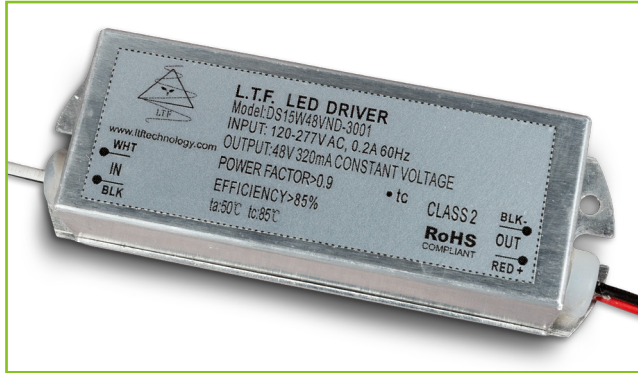




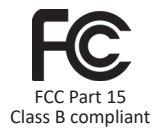
L.T.F

LED Driver- CLASS 2

15W DS15W48V 120-277V Series 48V Constant Voltage



Efficiency	higher than 85%
Power Factor	>95%
Case TC*	90°C Max.
Protection	Input / Output
Storage	-30°C / +90°C
Humidity	95% RH Max.
IP Rating	IP 67
Class	Class 2 Power Supply
Dimming	Phase & 0-10V (Optional)



FEATURES

- Universal input voltage; 120-277V AC
- Exceeds Title 24 requirements
- Isolated output power per NEC and UL safety requirements
- UL recognized / Listed, UL8750, UL1310
- Auto-reset ; Short circuit, Overload and Thermal protection
- Superior thermal performance
- Aluminum case with high W/m.K encapsulating material
- Low profile, small form factor.
- Class 2 power supply and other than Class 2 options
- Efficient, high power factor, low THD.
- Constant Current and Constant Voltage models

ELECTRICAL SPECIFICATIONS

Model #	Input	Output Voltage	Output Current	Dimming	Available Form Factors
DS15W48VND-0020	120-277V AC 50/60Hz	48V DC	320mA	Non Dimmable	T11
DS15W48V010-0020	120-277V AC 50/60Hz	48V DC	320mA	0-10V Dimmable	T11
DS15W48V-0020	120-277V AC 50/60Hz	48V DC	320mA	Triac Dimmable	T11

* Ask for more information



L.T.F

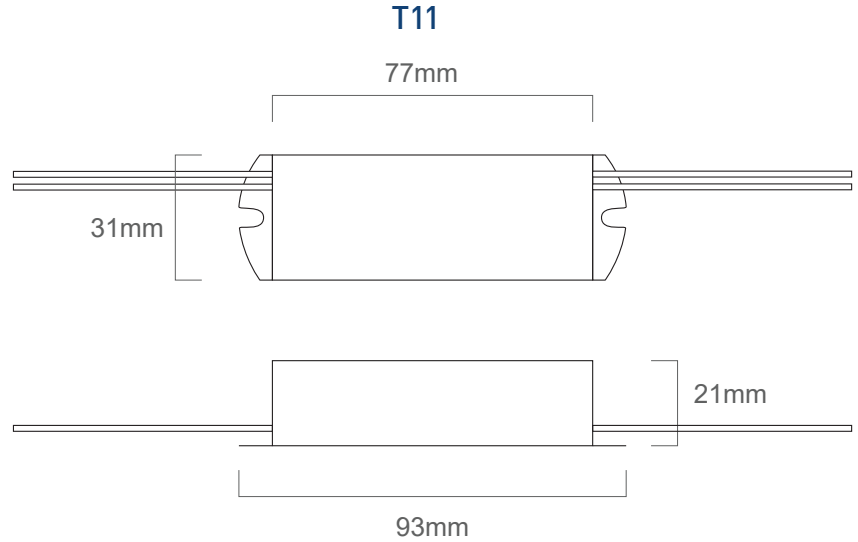
LED Driver- CLASS 2

**15W DS15W48V 120-277V Series
48V Constant Voltage**



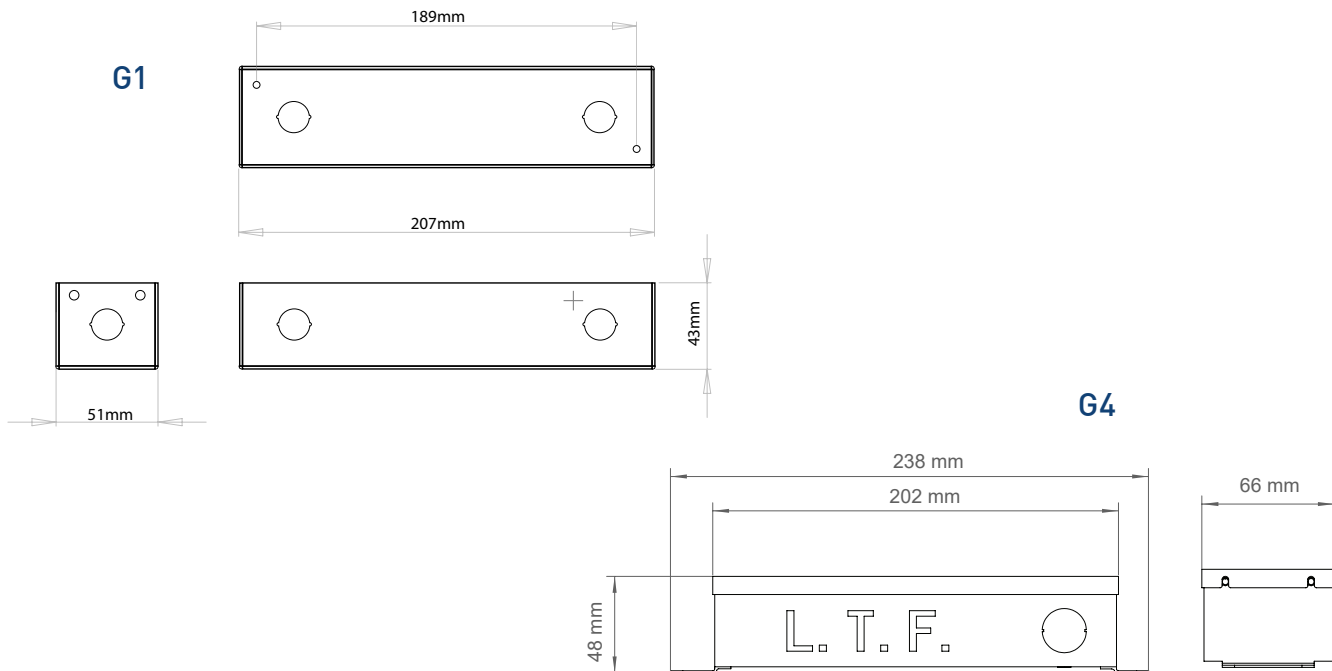
MECHANICAL SPECS

Available Form Factors	Dimensions
"T11"	77x31x21mm



REMOTE ENCLOSURES - UL LISTED

Model	Enclosure Type	Enclosure Dimensions
DS15W48VNDRE-0020	G1 (Damp Rated)	207x51x43mm
DS15W48VNDREO-0020	G4 (Wet Rated)	238x66x48mm



LED Driver - DS Series - Class 2