



# L.T.F

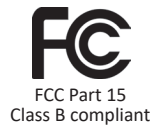
## LED Driver- CLASS 2



### 12W DS12W48V-0020 100-277V Series 48V Constant Voltage



Efficiency	higher than 85%
Power Factor	>95%
Case TC*	90C° Max.
Protection	Input / Output
Storage	-30°C / +90°C
Humidity	95% RH Max.
IP Rating	IP 67
Class	Class 2 Power Supply
Dimming	0-10V Option Available



### FEATURES

- Universal input voltage; 100-277V AC
- Exceeds Title 24 requirements
- Isolated output power per NEC and UL safety requirements
- UL recognized / Listed, UL8750, UL1310
- Auto-reset ; Short circuit, Overload and Thermal protection
- Superior thermal performance
- Low profile, small form factor.
- Class 2 power supply and other than Class 2 options
- Efficient, high power factor, low THD.
- Constant Current and Constant Voltage models

### ELECTRICAL SPECIFICATIONS

Model #	Input	Output Voltage	Output Current	Dimming	Available Form Factors
DS12W48VND-0020	100-277V AC 50/60Hz	48V DC	250mA	Non Dimmable	L8
DS12W48V010-0020	100-277V AC 50/60Hz	48V DC	250mA	0-10V Dimmable	L8

\* Ask for more information



**L.T.F**

**LED Driver- CLASS 2**

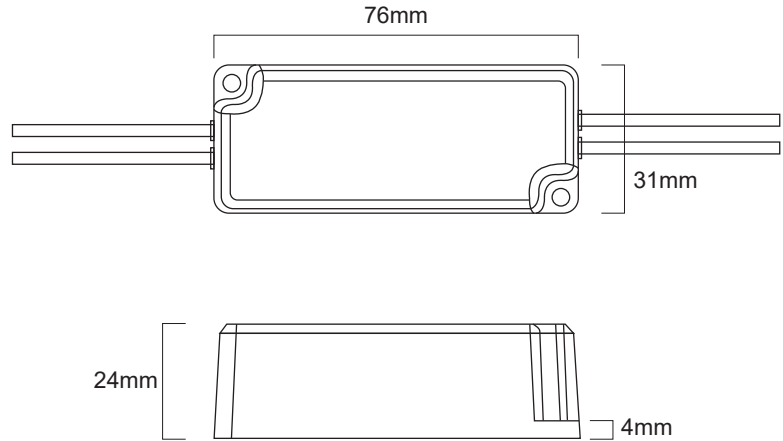
**12W DS12W48V-0020 100-277V Series  
48V Constant Voltage**



**MECHANICAL SPECS**

**L8**

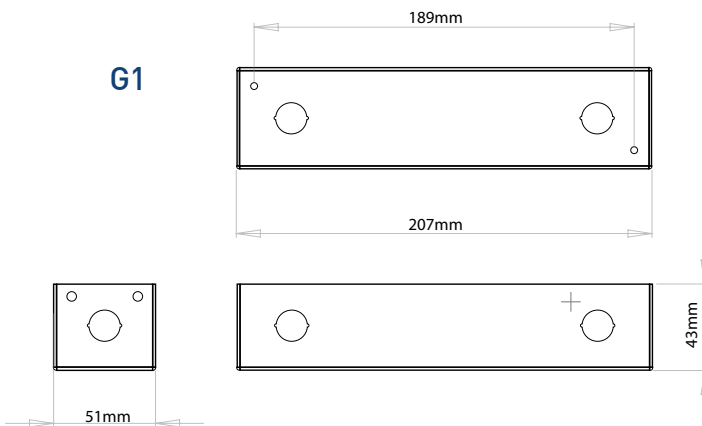
Available Form Factors	Dimensions
"L8"	76x31x24mm



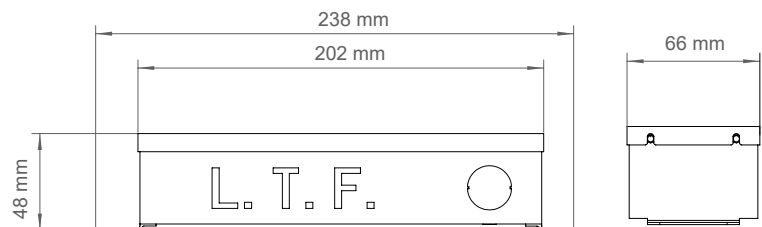
**REMOTE ENCLOSURES - UL LISTED**

Model	Enclosure Type	Enclosure Dimensions
DS12W48VNDRE-0020	G1 (Damp Rated)	207x51x43mm
DS12W48VNDREO-0020	G4 (Wet Rated)	238x66x48mm

**G1**



**G4**



LED Driver - DS Series - Class 2