



L.T.F

Dimmable Low Voltage LED Driver - CLASS 2

96W DA96W 120V Series Constant Voltage



Efficiency	higher than 85%
Power Factor	>95%
Cast TC*	85C° Max.
Protection	Input / Output
Storage	-30°C / +90°C
Humidity	95% RH Max.
IP Rating	IP 67
Class	Class 2 Power Supply
Dimming	Triac/ELV



FCC Part 15
Class B compliant



FEATURES

- Dual dimming capabilities; Triac and ELV
- Meets California Title 24 requirements
- Isolated output power per NEC and UL safety requirements
- UL recognized/ Listed, UL8750, UL1310
- Auto-reset ; Short circuit, Overload and Thermal protection
- Superior thermal performance
- Aluminum case with high W/m.K encapsulating material
- Low profile, small form factor
- < 30% flicker with excellent dimming range
- Class 2 power supply and other than Class 2 options
- Efficient, high power factor, low THD, FCC Class B

ELECTRICAL SPECIFICATIONS:

Constant Current				
Model #	Input	Output Voltage	Output Current	Available Form Factors
DA96W24V-3002	120V AC 50/60Hz 0.09 Amp > 0.90 PF < 20% THD	24VDC	4000mA	BR1, LI14

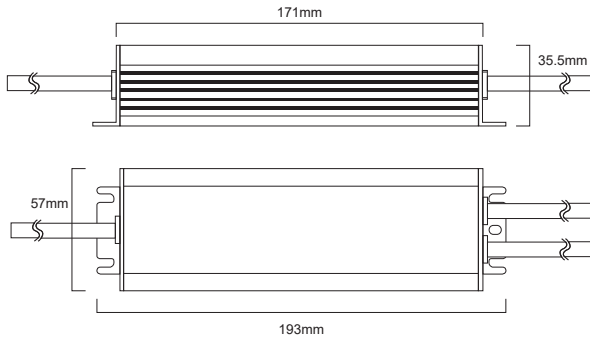
MECHANICAL SPECS.

Available Form Factors	Dimensions
"BR1"	193x57x35.5mm
"LI14"	361x31.4x29mm
"G2"	233.1x85.5x48.9mm
"G3"	280x103x56mm

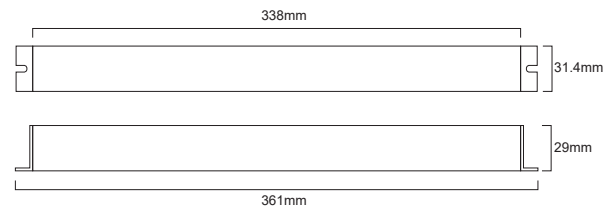
Dimmable Low Voltage LED Driver - CLASS 2 - DA96W



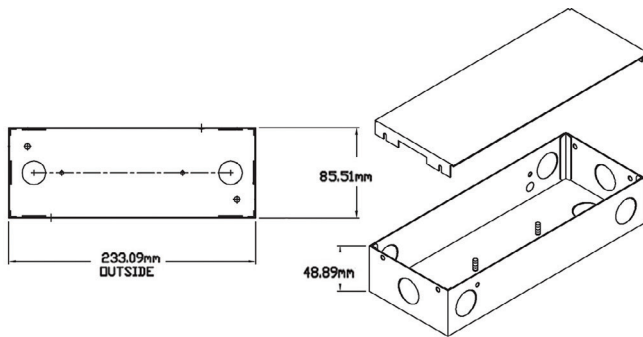
BR1



L114



G2: -RE MODELS



G3 : -REO MODELS

