



**L.T.F**

## Dimmable LED Driver

**15W DA15W350C1042-3001 120V  
350mA Constant Current**



Efficiency	> 80%
Power Factor	> 0.90
Case TC	90C° Max.
Protection	Input / Output
Storage	-30°C / +90°C
Humidity	95% RH Max.
IP Rating	IP 65
Class	Class 2 Power Supply
Dimming	ELV, Triac



**RoHS**



### FEATURES

- Fully dimmable with ELV & Triac dimmers
- Flicker free dimming
- Title 24 Compliant
- Aluminum casing for optimal heat dissipation
- Isolated output power per NEC and UL safety requirements
- UL & ETL recognized/ listed, meets UL 8750, 1310 requirements
- Auto-reset ; short circuit, overload and thermal protection
- Low profile, small form factor, junction box mountable
- Class 2 power supply
- Efficient, High power factor > 0.90

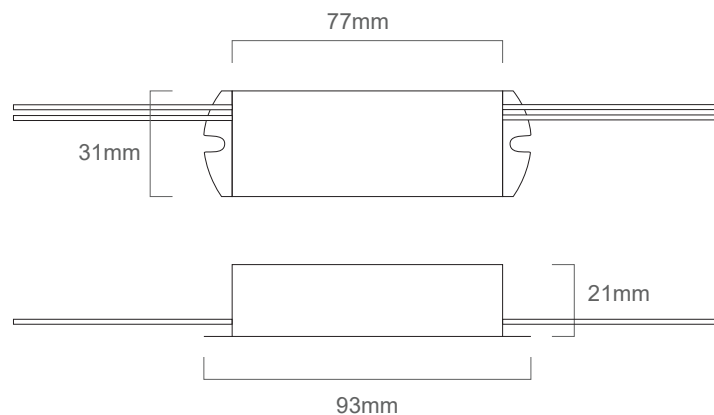
### ELECTRICAL SPECIFICATIONS

Model #	Input Voltage	Wattage	Output Current	Load
DA15W350C1042-3001	120V AC, 0.11A, 60Hz	15W	350mA	10-42V DC LED

\*\*UL Listed Models Include External Remote Mount Case

### MECHANICAL SPECS

Available Form Factors	Dimensions
"T11"	95 (77) x 31 x 21mm



\* Ask for more information

L.T.F. L.L.C. PHONE: (847) 498-5832 FAX: (773) 337-5628 EMAIL: [sales@lfttechnology.com](mailto:sales@lfttechnology.com)  
Company's Address: 11966 H Oak Creek Pkwy. Huntley IL 60142 U.S.A. [www.lfttechnology.com](http://www.lfttechnology.com)

© L.T.F., L.L.C. All rights reserved. L.T.F. reserves the right to change specification for product improvements without notification

Dimmable LED Driver