

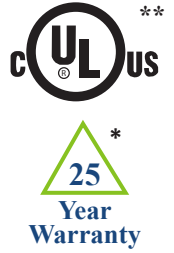


# L.T.F. Magnetic Transformer

## MTA96W & MTE96W Series



<b>Efficiency</b>	80%
<b>Power Factor</b>	>98%
<b>Case TC*</b>	90°C Max.
<b>Protection</b>	Input/ Output
<b>Storage</b>	-30°C/ +90°C
<b>Humidity</b>	95% RH max
<b>IP Rating</b>	IP60,67
<b>Dimming</b>	Magnetic Dimmer MLV
<b>Dimensions -RE</b>	225x112x98mm
<b>Dimensions -REO</b>	162x96x109mm



### FEATURES

- No load technology, works with both Halogen & LED AC loads \*\*
- Isolated output power per NEC and UL safety requirements
- Short circuit, overload and thermal protection
- Dimmable with magnetic low voltage dimmers
- Multi-tap output 12, 13, 14, 15 and 24, 26, 28, 30
- Two finishes. Outdoor (-REO) models are stainless steel; Indoor (-RE) models powered finish

### ELECTRICAL SPECIFICATIONS

120V					
Model #	Input Voltage	Input Current	Output Voltage	Output Current	Load Type
MTA96WA1215VRE	120V AC 50/60Hz	0.8A	12V AC	8.0A	AC LED Bulbs, Incandescent & Halogen Bulbs
MTA96WA2430VRE	120V AC 50/60Hz	0.8A	24V AC	4.0A	AC LED Bulbs, Incandescent & Halogen Bulbs
MTA96WA1215VREO	120V AC 50/60Hz	0.8A	12V AC	8.0A	AC LED Bulbs, Incandescent & Halogen Bulbs
MTA96WA2430VREO	120V AC 50/60Hz	0.8A	24V AC	4.0A	AC LED Bulbs, Incandescent & Halogen Bulbs

277V					
Model #	Input Voltage	Input Current	Output Voltage	Output Current	Load Type
MTE96WA1215VRE	277V AC 50/60Hz	0.34A	12V AC	8.0A	AC LED Bulbs, Incandescent & Halogen Bulbs
MTE96WA2430VRE	277V AC 50/60Hz	0.34A	24V AC	4.0A	AC LED Bulbs, Incandescent & Halogen Bulbs
MTE96WA1215VREO	277V AC 50/60Hz	0.34A	12V AC	8.0A	AC LED Bulbs, Incandescent & Halogen Bulbs
MTE96WA2430VREO	277V AC 50/60Hz	0.34A	24V AC	4.0A	AC LED Bulbs, Incandescent & Halogen Bulbs

\* 25 year limited warranty

\*\*Pending

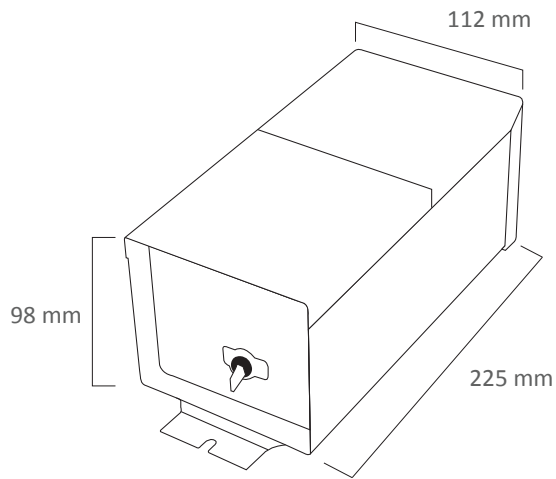
L.T.F. L.L.C. PHONE: (847) 498-5832 FAX: (773) 337-5628 EMAIL: sales@lfttechnology.com  
Company's Address: 2905 MacArthur Blvd Northbrook, IL 60062 U.S.A. [www.lfttechnology.com](http://www.lfttechnology.com)

© L.T.F., L.L.C. All rights reserved. L.T.F. reserves the right to change specification for product improvements without notification



MECHANICAL SPECS.

MTA1 -RE MODELS ONLY



MTA2 -REO MODELS ONLY

