



L.T.F Magnetic Transformer

MTA60W & MTE60W Series



Efficiency	80%
Power Factor	>98%
Case TC*	90°C Max.
Protection	Input/ Output
Storage	-30°C/ +90°C
Humidity	95% RH max
IP Rating	IP60,67
Dimming	Magnetic Dimmer MLV
Dimensions -RE	225x112x98mm
Dimensions -REO	162x96x109mm



FEATURES

- No load technology, works with both Halogen & LED AC loads **
- Isolated output power per NEC and UL safety requirements
- Short circuit, overload and thermal protection
- Dimmable with magnetic low voltage dimmers
- Multi-tap output 12, 13, 14, 15 and 24, 26, 28, 30
- Two finishes. Outdoor (-REO) models are stainless steel; Indoor (-RE) models powered finish

ELECTRICAL SPECIFICATIONS

120V					
Model #	Input Voltage	Input Current	Output Voltage	Output Current	Load Type
MTA60WA1215VRE	120V AC 50/60Hz	0.5A	12V AC	5A	AC LED Bulbs, Incandescent & Halogen Bulbs
MTA60WA2430VRE	120V AC 50/60Hz	0.5A	24V AC	2.5A	AC LED Bulbs, Incandescent & Halogen Bulbs
MTA60WA1215VREO	120V AC 50/60Hz	0.5A	12V AC	5A	AC LED Bulbs, Incandescent & Halogen Bulbs
MTA60WA2430VREO	120V AC 50/60Hz	0.5A	24V AC	2.5A	AC LED Bulbs, Incandescent & Halogen Bulbs

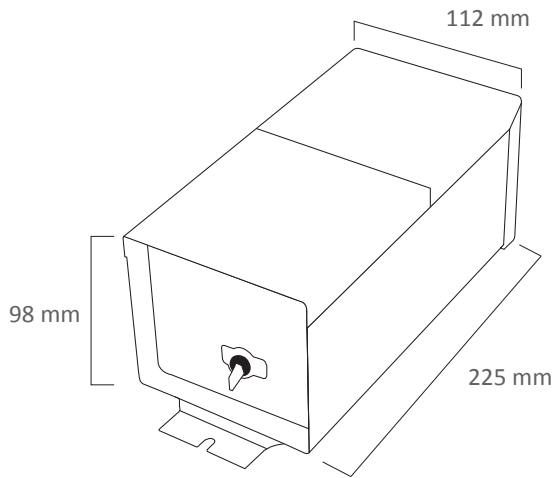
277V					
Model #	Input Voltage	Input Current	Output Voltage	Output Current	Available Form Factors
MTE60WA1215VRE	277V AC 50/60Hz	0.22A	12V AC	5A	AC LED Bulbs, Incandescent & Halogen Bulbs
MTE60WA2430VRE	277V AC 50/60Hz	0.22A	24V AC	2.5A	AC LED Bulbs, Incandescent & Halogen Bulbs
MTE60WA1215VREO	277V AC 50/60Hz	0.22A	12V AC	5A	AC LED Bulbs, Incandescent & Halogen Bulbs
MTE60WA2430VREO	277V AC 50/60Hz	0.22A	24V AC	2.5A	AC LED Bulbs, Incandescent & Halogen Bulbs

* 25 year limited warranty



MECHANICAL SPECS.

MTA1 -RE MODELS ONLY



MTA2 -REO MODELS ONLY

