



**L.T.F**

## SunLight2 MR16 LED Bulb Series

**12V GU5.3 8W LED Halogen Replacement Bulbs**  
**High CRI & R9, Dim-to-Warm 3000k to 1800K**

# SunLight2



Not rated for enclosed fixtures

Specifications	
CCT	3000K
Max. Tc	90° C
Ambient Temp.	-30°C to 35°C
Power Factor	0.92
CRI	96.4
R9 Value	96
Lumens	468 lm
Flicker Index	0.01
Percent Flicker	< 1%
Dimming	Phase Dimmable
InRush Cycle to Cycle	< 1 Amp



### FEATURES

- Direct replacement for halogen bulbs
- GU5.3 Base MR16
- High CRI 96.4 and high R9 96
- Dim-to-Warm capability 3000K dims to 1800K
- Low blue emission for healthy vision
- Zero ultraviolet emission, won't fade colors
- Beam angles 24° or 36°
- Title 24 Compliant, low flicker < 1%
- 30,000 hours rating
- 3 years / 25k hours warranty

### APPLICATIONS

- Color-critical task lighting
- Residential & hospitality lighting
- Museum and gallery lighting
- Color-critical retail displays (e.g, apparel, groceries, hard goods & toys)
- Track lighting, new & retrofit
- Desk lamps
- Indoor and Outdoor

### ELECTRICAL SPECIFICATIONS

Model #	Input Voltage	CCT	Wattage	Case Finish	Beam Angle	Lumens
BL18W12V3018KWD124S	12V	3000K dims to 1800K	8W	Silver	24°	468 lm
BL18W12V3018KWD124B	12V	3000K dims to 1800K	8W	Black	24°	468 lm
BL18W12V3018KWD124W	12V	3000K dims to 1800K	8W	White	24°	468 lm
BL18W12V3018KWD124C	12V	3000K dims to 1800K	8W	Custom	24°	468 lm
BL18W12V3018KWD136S	12V	3000K dims to 1800K	8W	Silver	36°	450 lm
BL18W12V3018KWD136B	12V	3000K dims to 1800K	8W	Black	36°	450 lm
BL18W12V3018KWD136W	12V	3000K dims to 1800K	8W	White	36°	450 lm
BL18W12V3018KWD136C	12V	3000K dims to 1800K	8W	Custom	36°	450 lm

\* Input voltage range 10V AC to 18V AC

SunLight2 Series 8W 12V MR16 LED Bulb



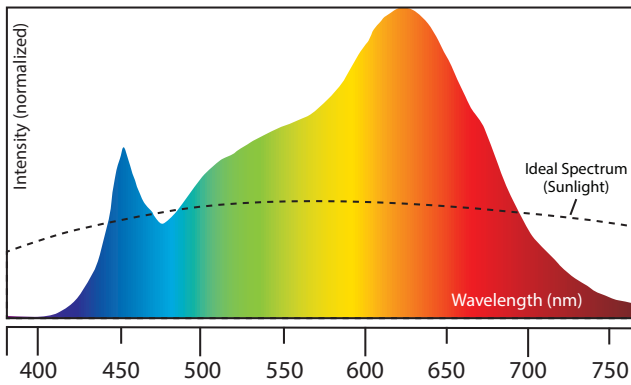
**L.T.F**

## SunLight2 MR16 LED Bulb Series

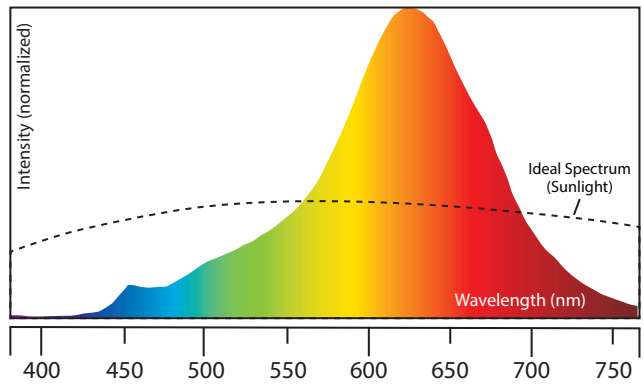
**12V GU5.3 8W LED Halogen Replacement Bulbs  
High CRI & R9, Dim-to-Warm 3000k to 1800K**

### SPECTRORADIOMETRIC PARAMETERS

CCT 3000K

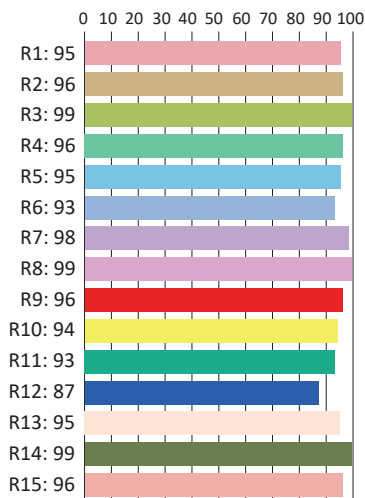


CCT 1800K (Dim-toWarm)

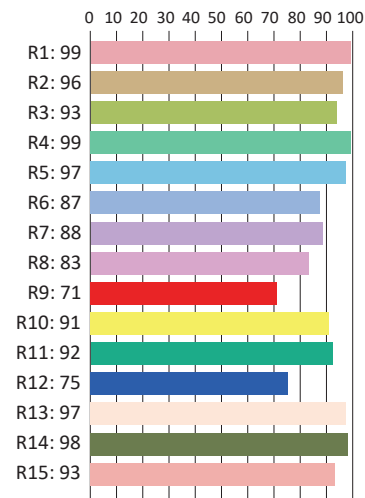


### CRI TEST RESULTS

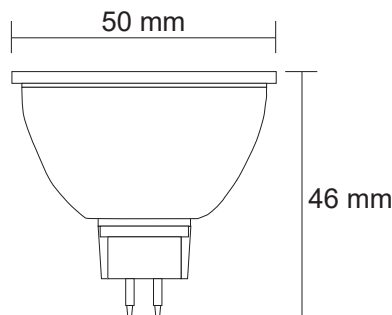
CCT 3000K



CCT 1800K (Dim-to-Warm)



### MECHANICAL SPECS



SunLight2 Series 8W 12V MR16 LED Bulb